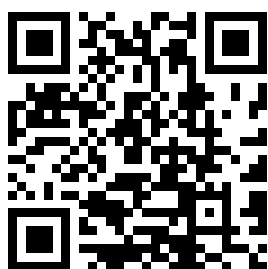
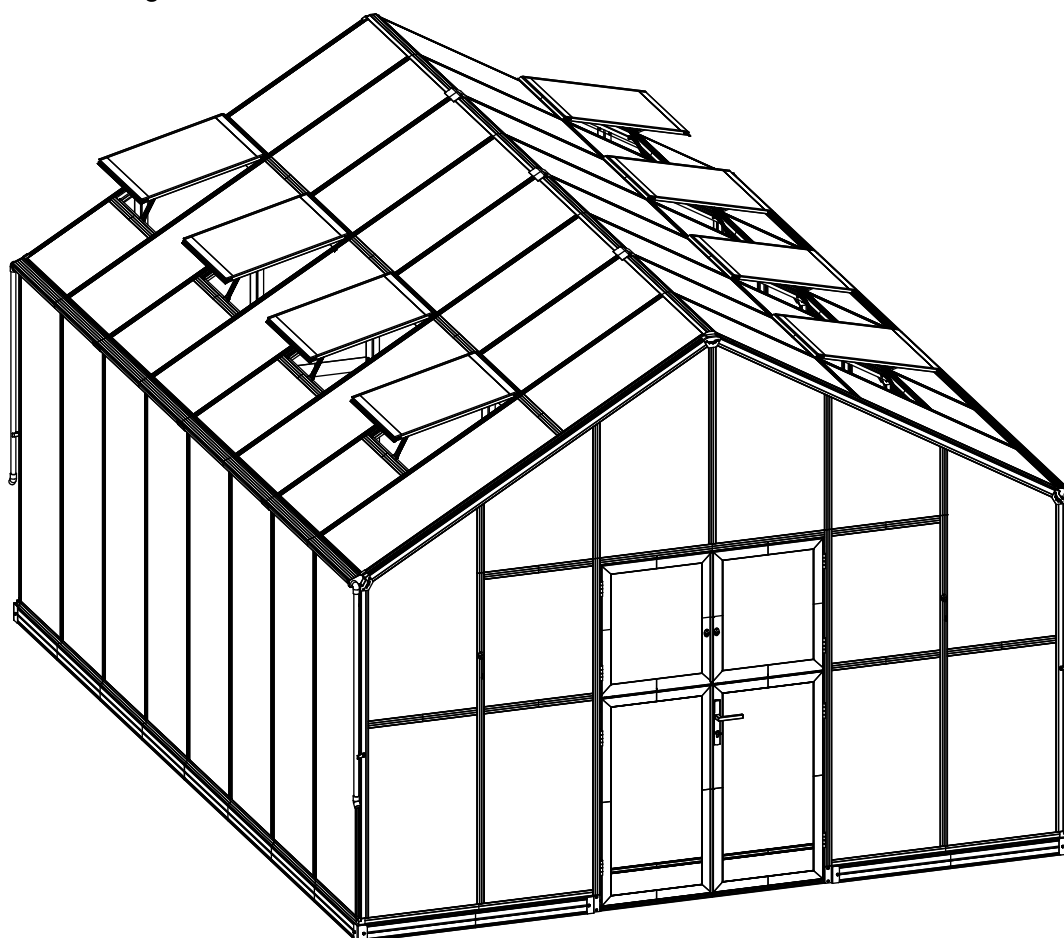




V1.2 01/16/2026

Manual for Vego Victorian Greenhouse 12.5 X 16.5 ft.

Copyright © 2025 Vego



vegogarden.com

Model:
VGHV1216

Dimensions:
12.5' X 16.5' X 10.0' (H)

S T E P B Y S T E M

Safety Advice	03
Tools & Packing Information	03
Assembly & Maintenance	06
Foundation Assembly	08
Wall Assembly	20
Louvered Window Assembly	65
Roof Assembly	71
Vent Assembly	79
Auto Vent Opener Assembly	96
Gutter Assembly	101
Door Assembly	105
End Cap Installation	118



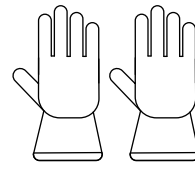
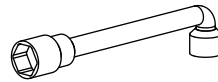
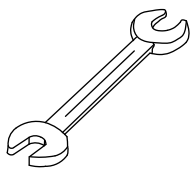
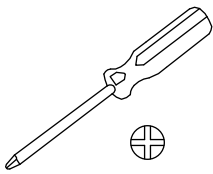
Safety Advice

1. This product is designed to be used as a greenhouse.
2. It is important to assemble the product according to this manual, do not skip or modify any steps.
3. Wear gloves, shoes and safety glasses during assembling to avoid injury.
4. Do not climb or stand on the roof.
5. Keep children away from the assembly area.
6. Do not assemble the product in windy, wet or bad weather conditions.
7. Do not assemble the product under the influence of medication, alcohol or drugs.

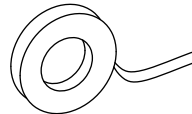
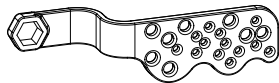


Tools & Packing Information

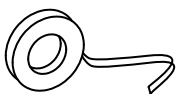
● Tools Provided



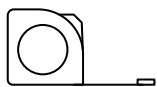
(Glass Model)



● Tools Required (Not Provided)



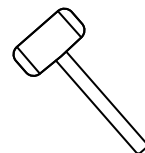
Painter's tape



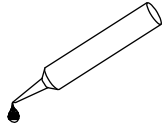
Tape measure



Scissors



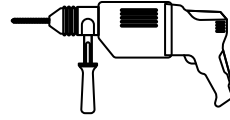
Rubber mallet



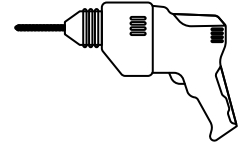
Silicone Caulk



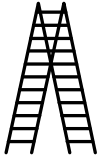
Level



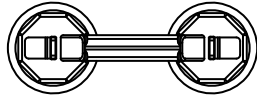
Hammer drill +
25/64 Drill bit
5/16" Drill bit



Cordless driver
- Philips head

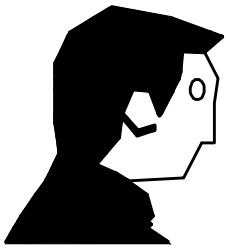


6ft Ladder

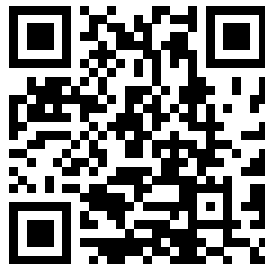


Glass suction tool
(Glass Model)

● 3+ Person Assembly



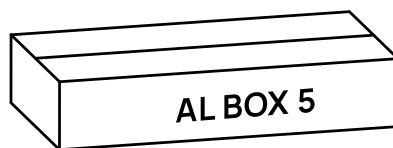
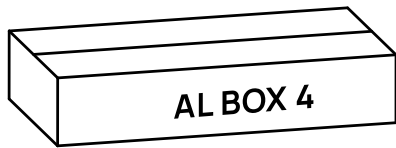
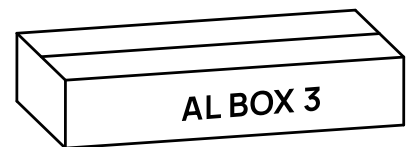
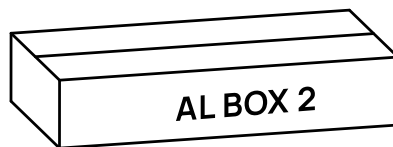
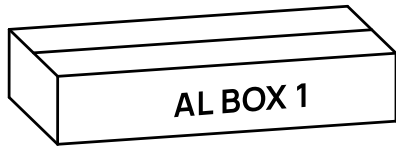
3+



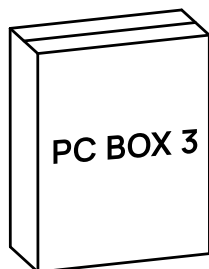
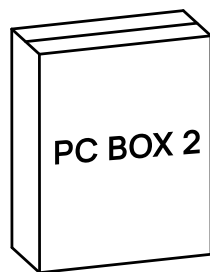
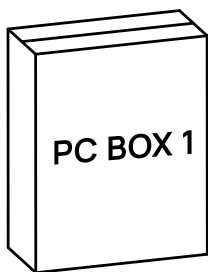
vegogarden.com

● Packing Information

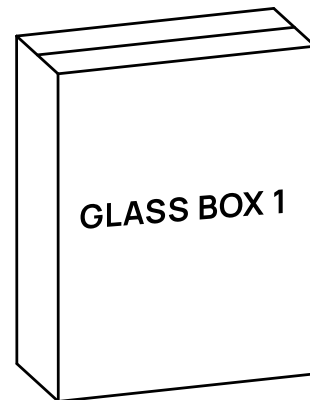
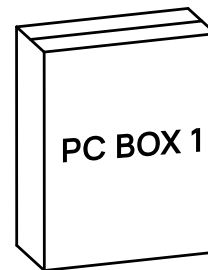
Aluminum Frame & Hardware:



Full Polycarbonate Version:



Polycarbonate + Glass Version:



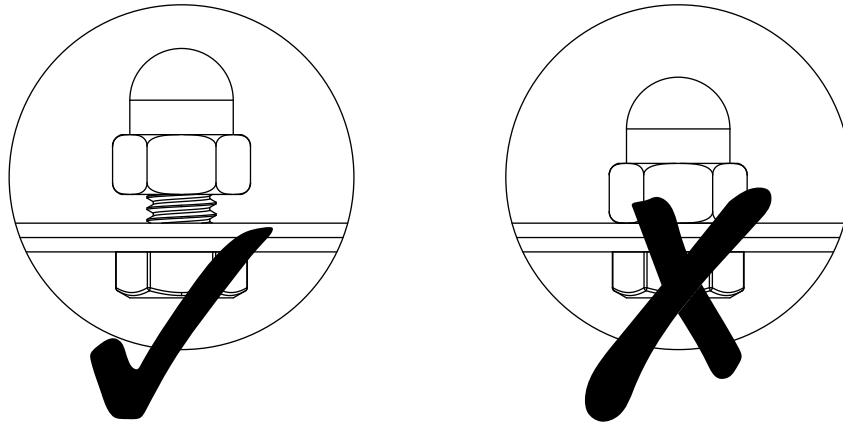
Or

Packing List:

Please refer to documents provided in the boxes.

Assembly & Maintenance

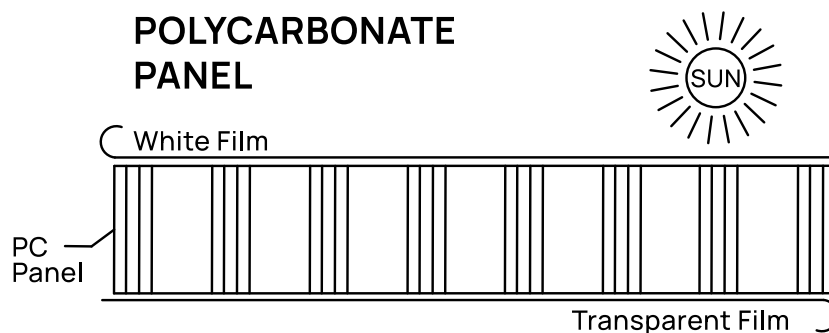
1. Place the parts on a soft surface to avoid scratches and damage.
2. Loosely tighten bolts as you assemble. After the greenhouse is built, and still loosely connected, tighten all bolts completely.



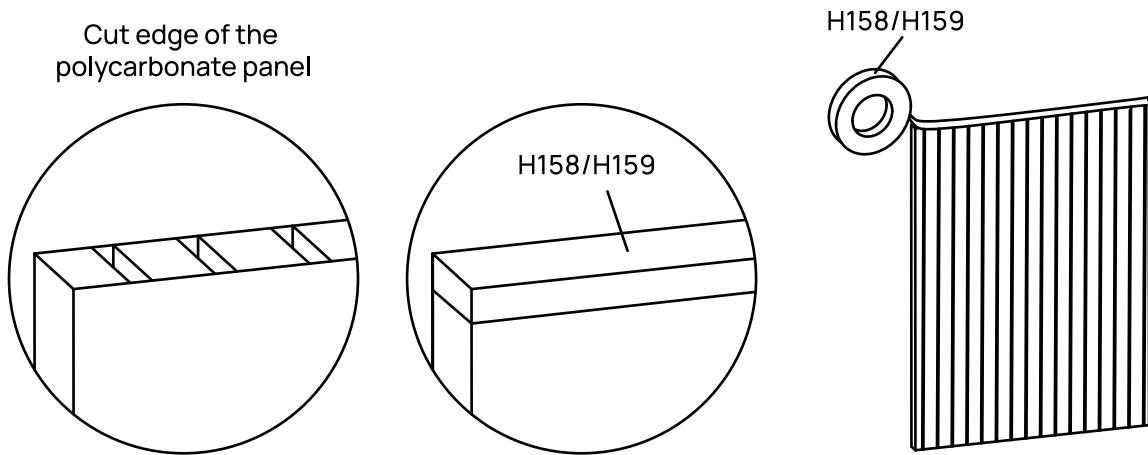
3. Keep the roof and gutters clear of snow, dirt and leaves in order to avoid damage to the product.
4. Clean the product with a mild soap and rinse with cold, clean water.
5. Do not use acetone, abrasive cleaners, or other special detergents to clean the product.

For PC Panels

6. Remove the clear film prior to assembly. The white film indicates the UV-Protected side of the panels. Peel back the white film to expose only the edges (until the panels are in place) to ensure that the UV-Protected side is facing outwards in final assembly.

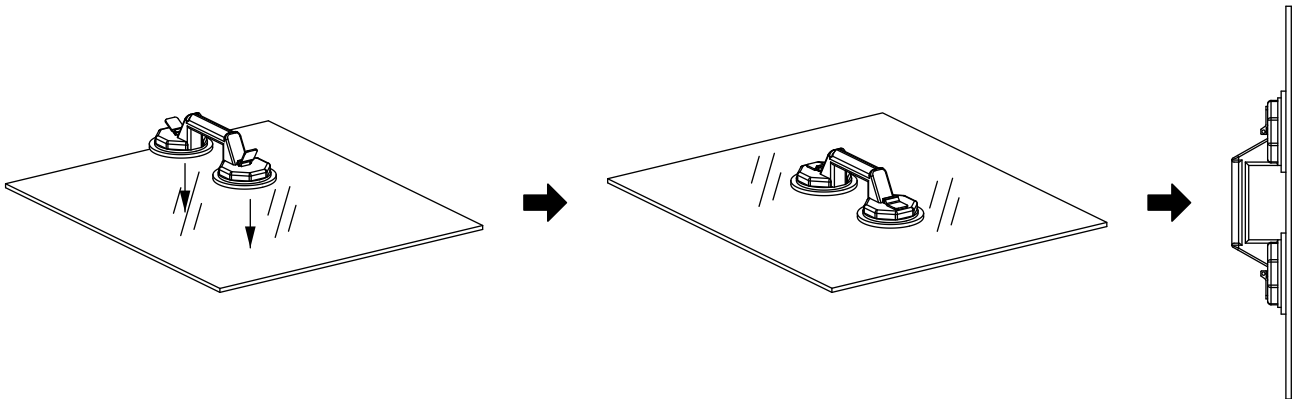


7. Cover the two cut edges of the PC panels with the provided tape before installation to seal the channels & prevent moisture from getting trapped inside.

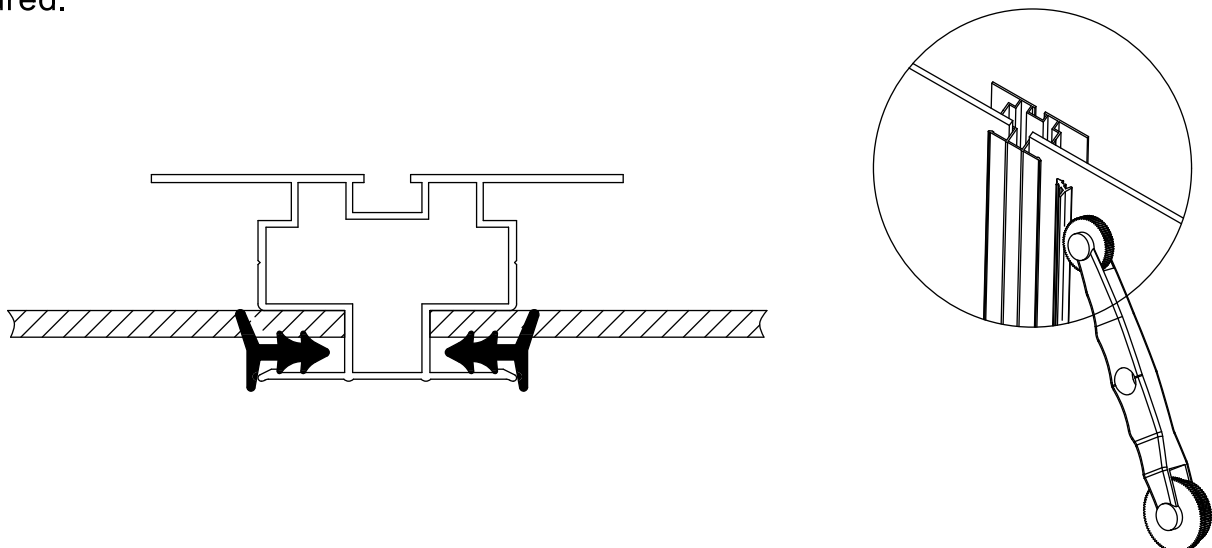


For Glass Panels

8. Use a glass suction tool (not included) for easier and safer installation of glass panels. Ensure all surfaces are clean, dry, and free from oil or dirt before use. Refer to your tool's manual for detailed instructions.



9. After the glass panels are positioned, use the provided roller tool to press the sealing strip into the gap between the glass and the frame, ensuring it is firmly secured.

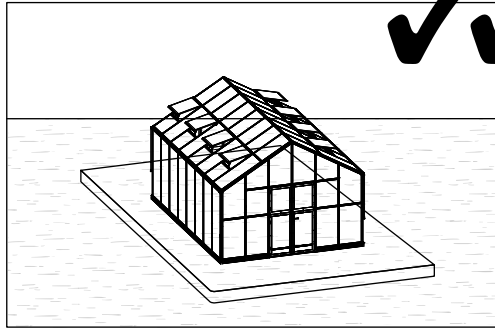
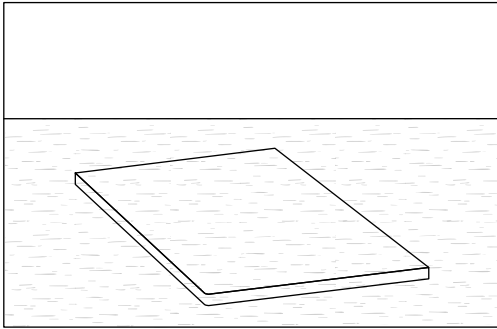


Foundation Assembly

STEP 01

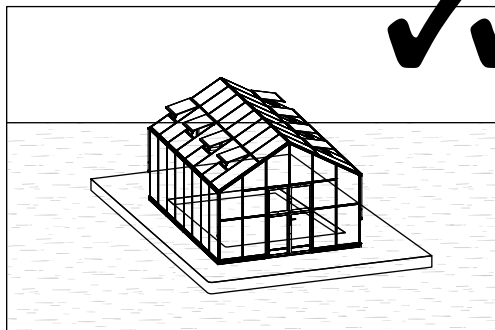
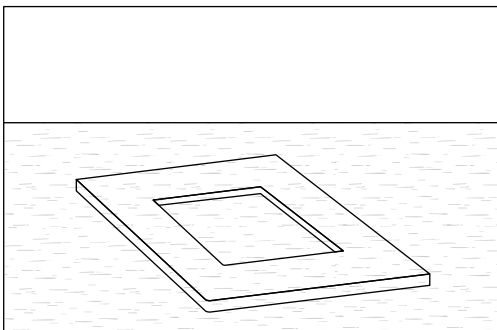
Choose a hard, clean, level surface to position your greenhouse. If the selected area is not level, clear and level it before beginning.

● Option 1: Solid foundation



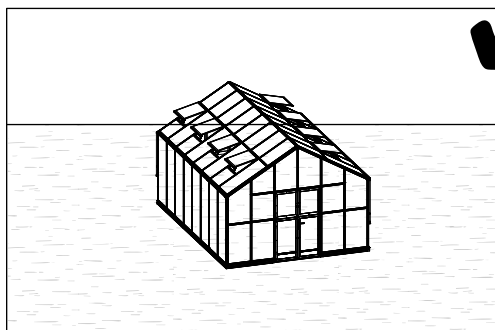
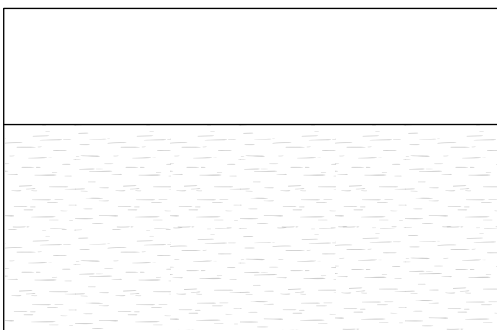
Preferred

● Option 2: Solid frame



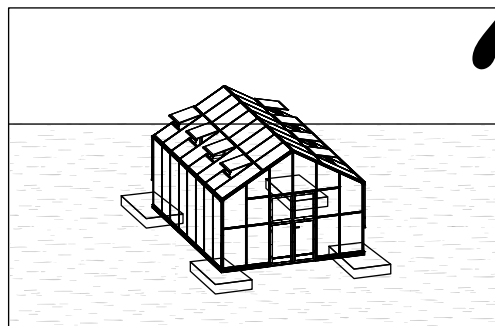
Preferred

● Option 3: Firm ground / grass



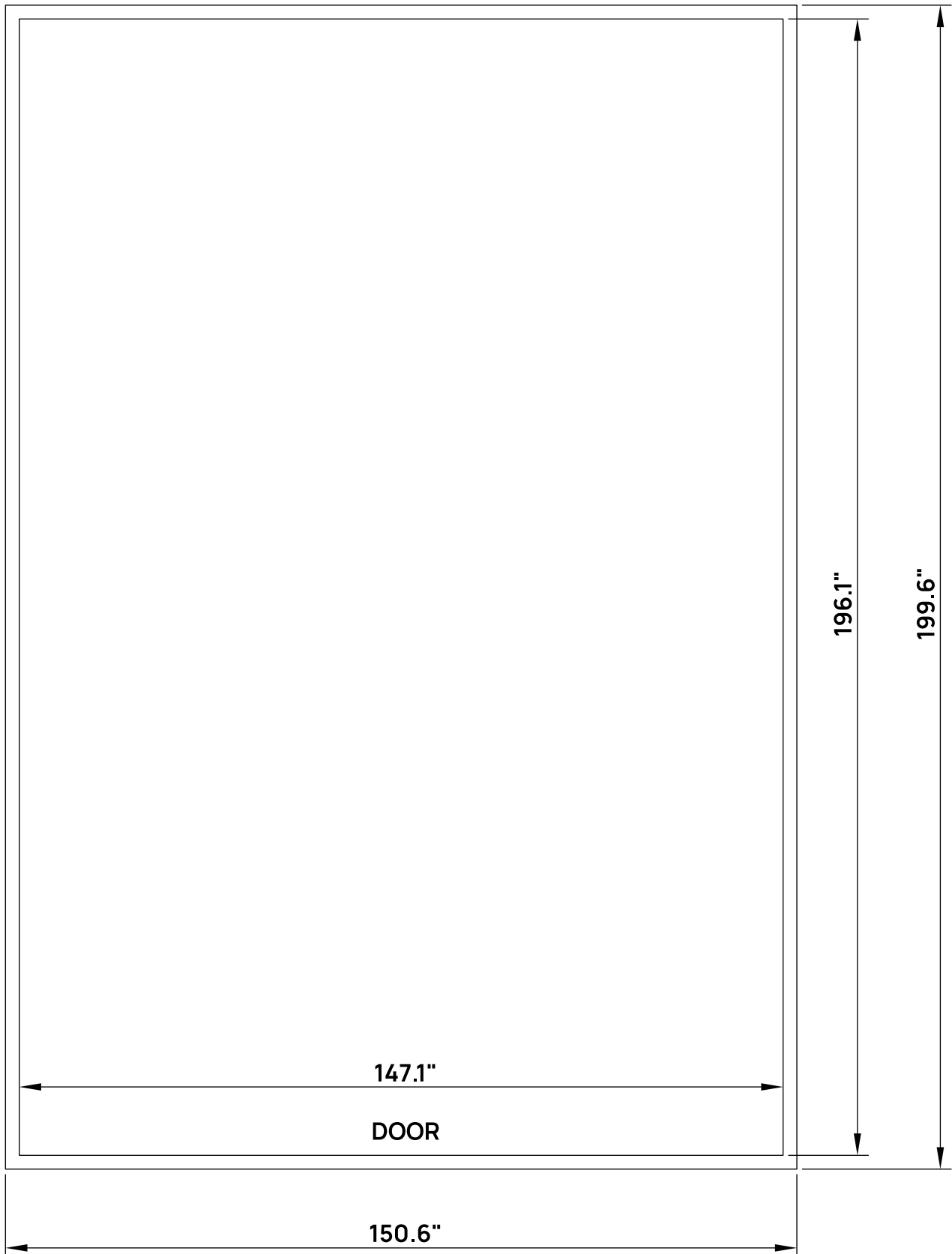
Possible

The size of the greenhouse displayed is for illustrative purposes only and may not reflect the size of your greenhouse.





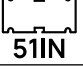



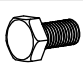

Not possible

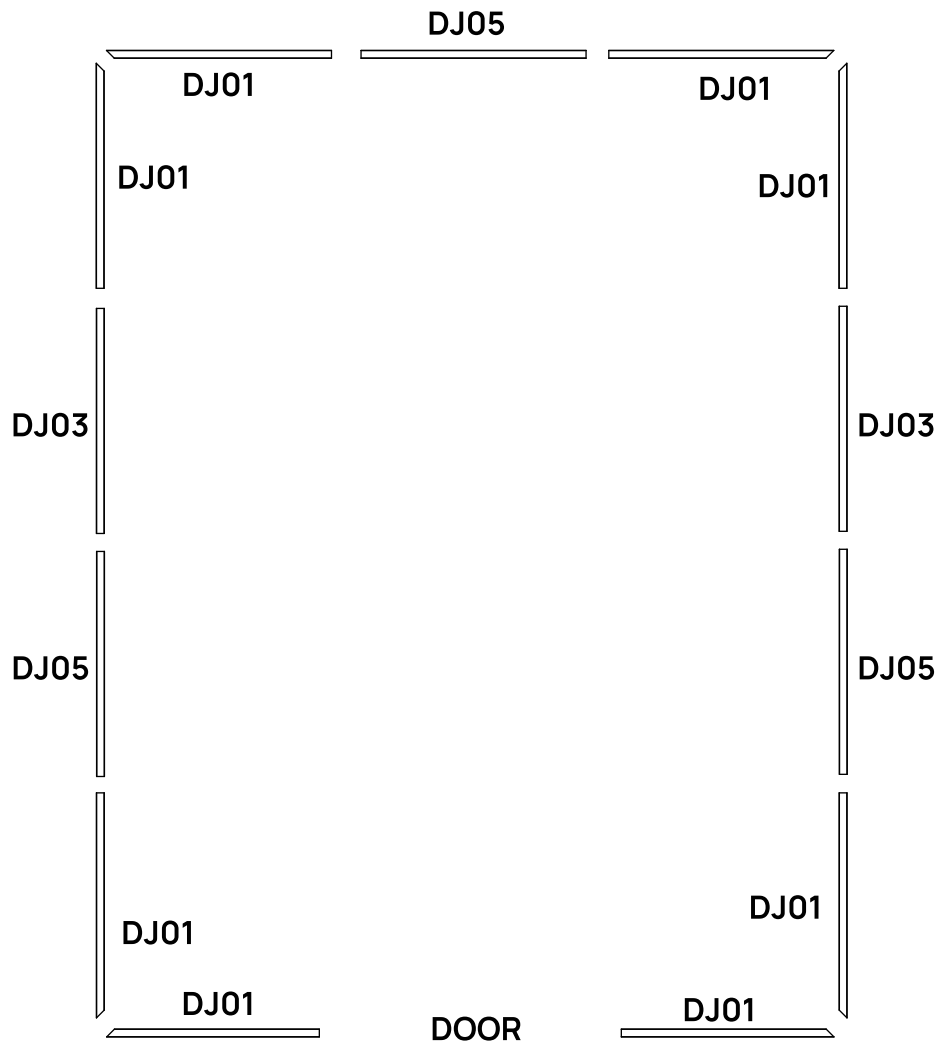
Foundation Dimensions



STEP
02

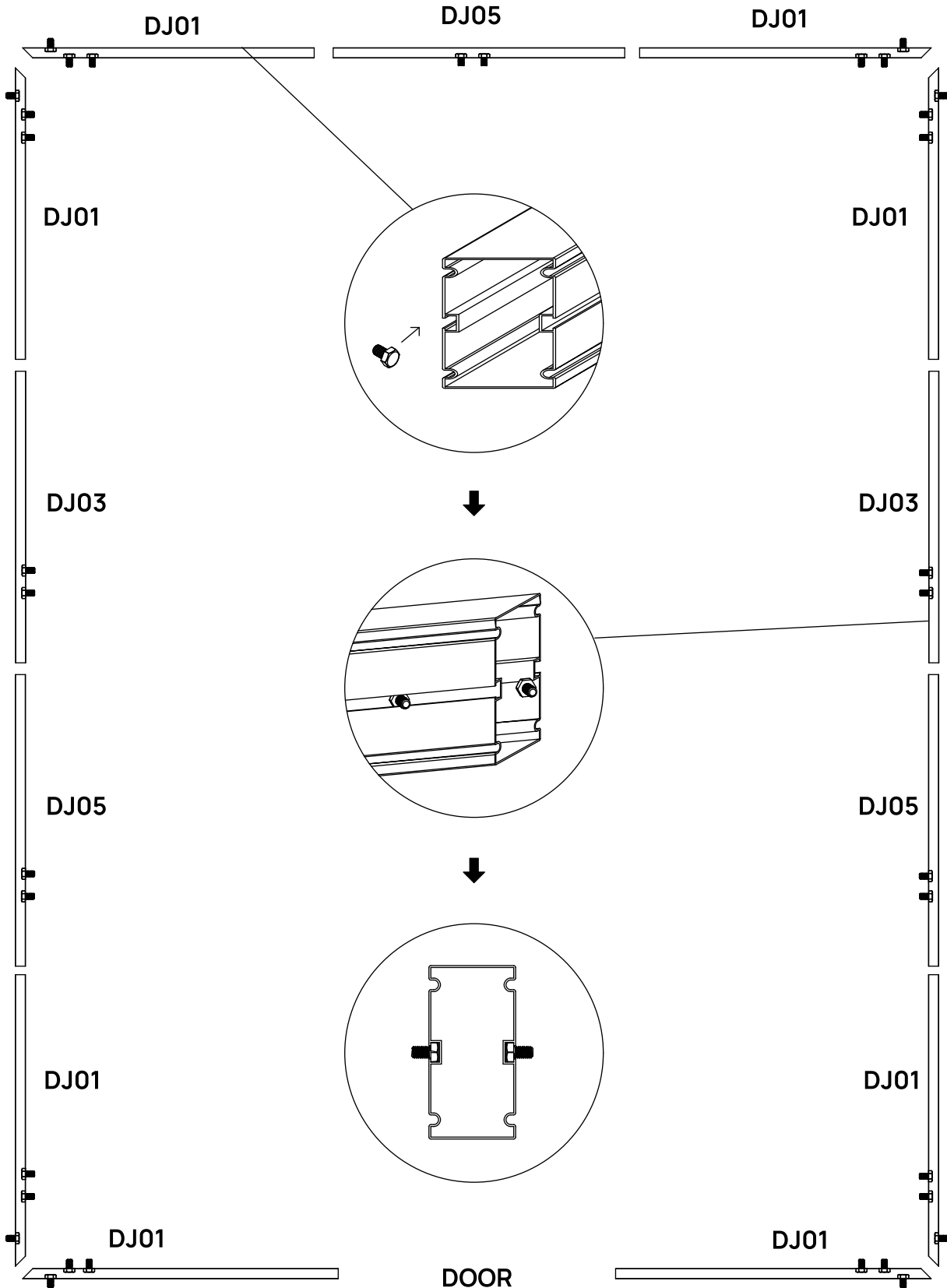
Lay out the foundation pieces as diagrammed, using the door location as a reference.

BOX	PART	NO	QTY
ALBOX-4	 50IN	DJ01	8
ALBOX-5	 49IN	DJ03	2
ALBOX-4	 51IN	DJ05	3
ALBOX-3		D366	4
ALBOX-3		D73	4
ALBOX-3		D74	8
ALBOX-3		S03A M6X10	82
ALBOX-3		M24 M6	56



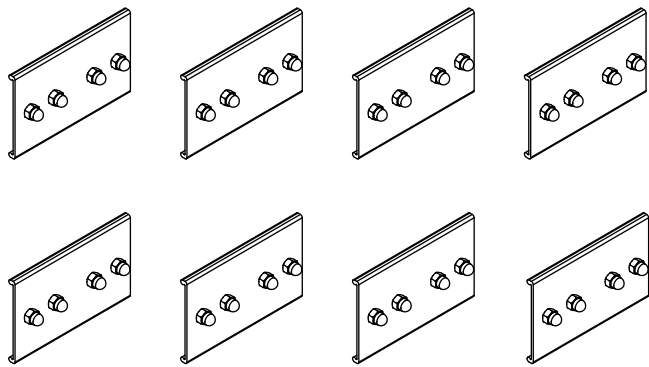
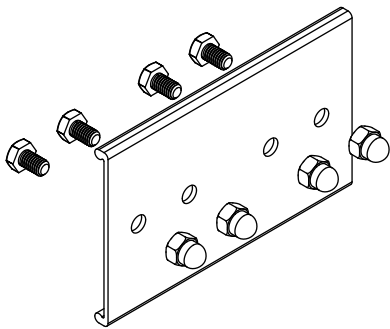
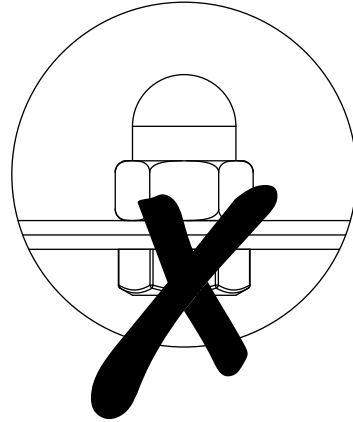
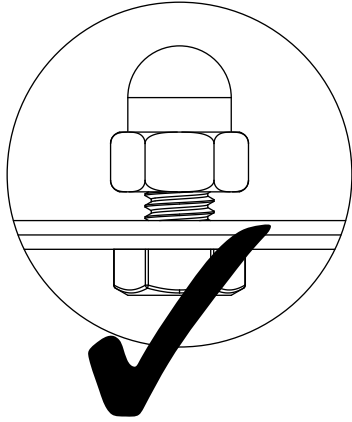
STEP
03

Slide the heads of S03A (x34) bolts in the grooves of the frame, on the inside and outside, as shown below. These will hold the outside connectors and anchor brackets.

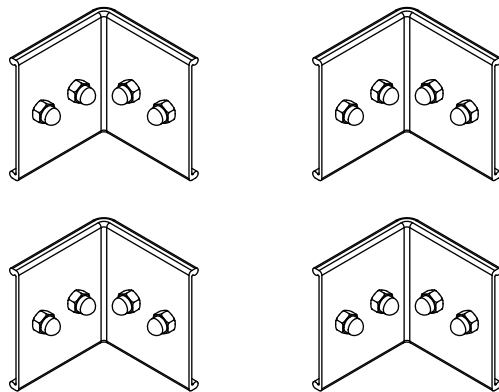
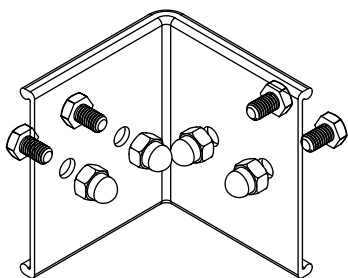


STEP
04

Assemble 8 sets of Z1 and 4 sets of Z2 connection plates by loosely installing the bolts and cap nuts.



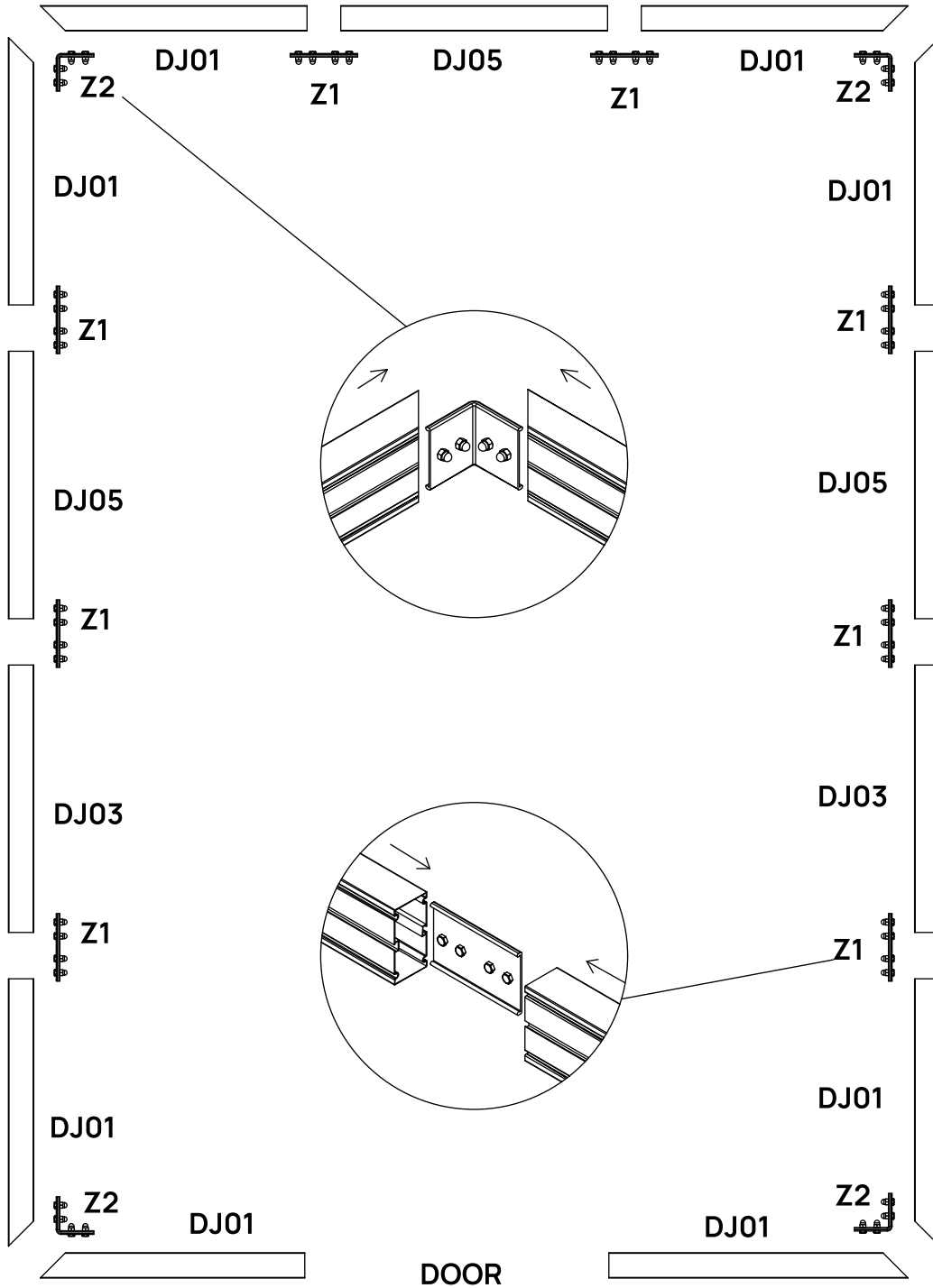
Z1 X 8



Z2 X 4

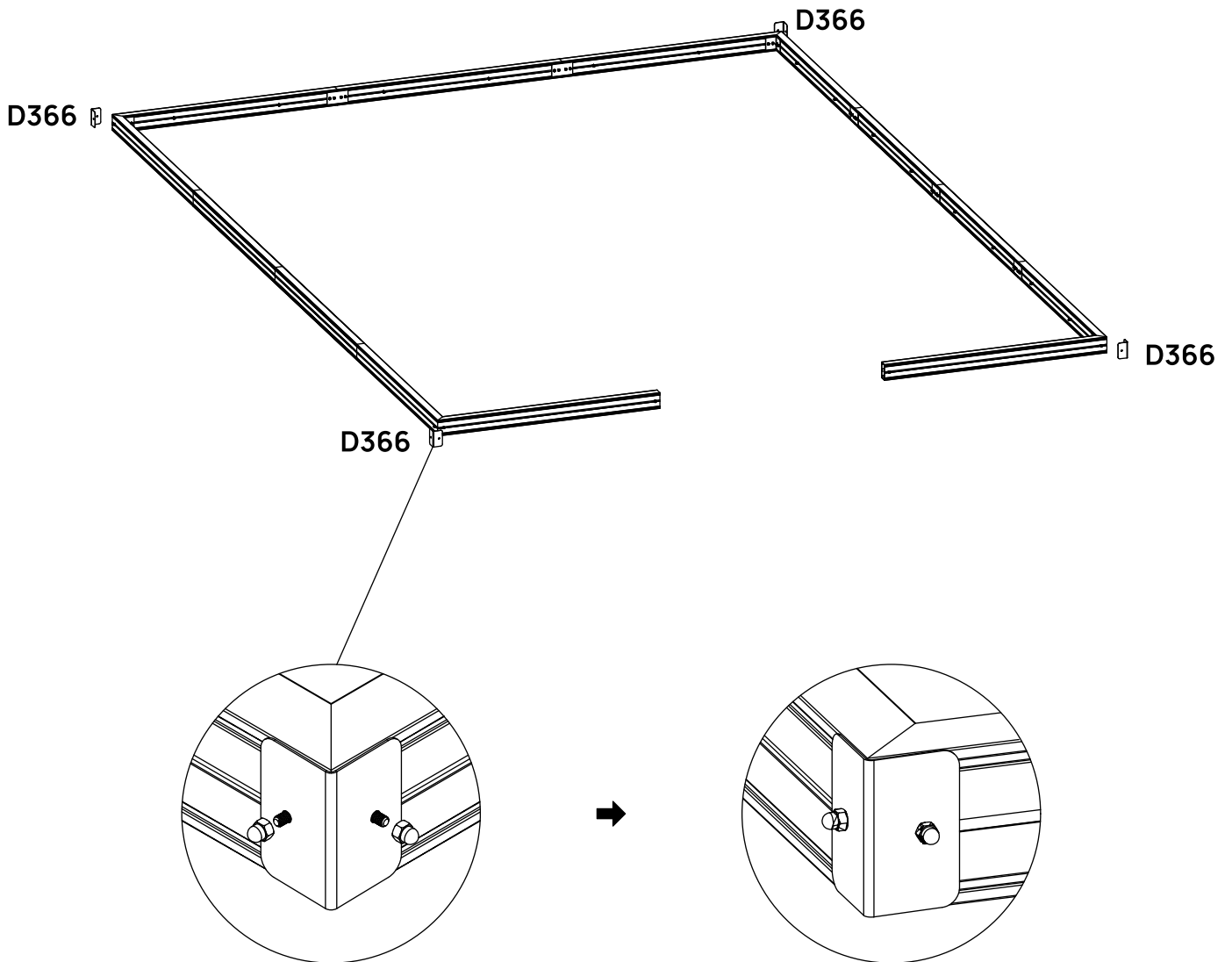
STEP
05

Slide Z1 & Z2 in the grooves of foundation pieces to connect each section and tighten the bolts until the frame is flush and square.



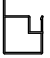

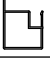






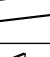



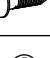

STEP
06

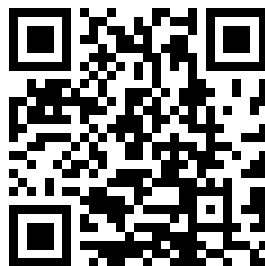
Connect the 4 corners with D366 L brackets using the previously installed S03A bolts. Secure with cap nuts.



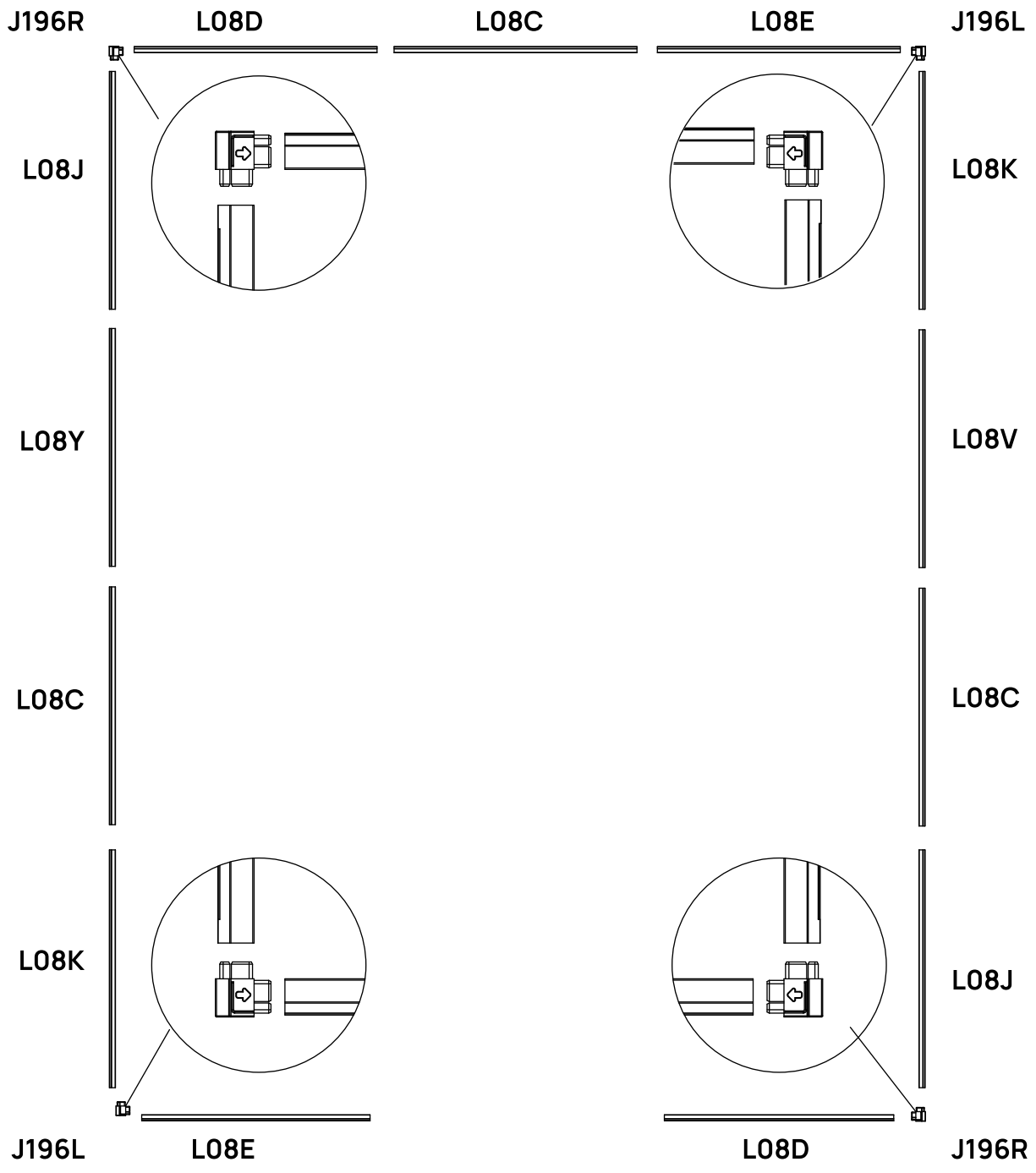
STEP
07

Lay out the base frame pieces as shown in the diagram, noting that there are two types of corner pieces.

BOX	PART	NO	QTY
ALBOX-4		L08C	3
ALBOX-4		L08D	2
ALBOX-4		L08E	2
ALBOX-5		L08V	1
ALBOX-5		L08Y	1
ALBOX-4		L08J	2
ALBOX-4		L08K	2
ALBOX-3		J196L	2
ALBOX-3		J196R	2
ALBOX-3		D76	26
ALBOX-3		D75	26
ALBOX-3		M24	26
		M6	
ALBOX-3		S08A	26
		M8X60	
ALBOX-3		Z13A	26
		Ø5X40	
ALBOX-3		H79	26

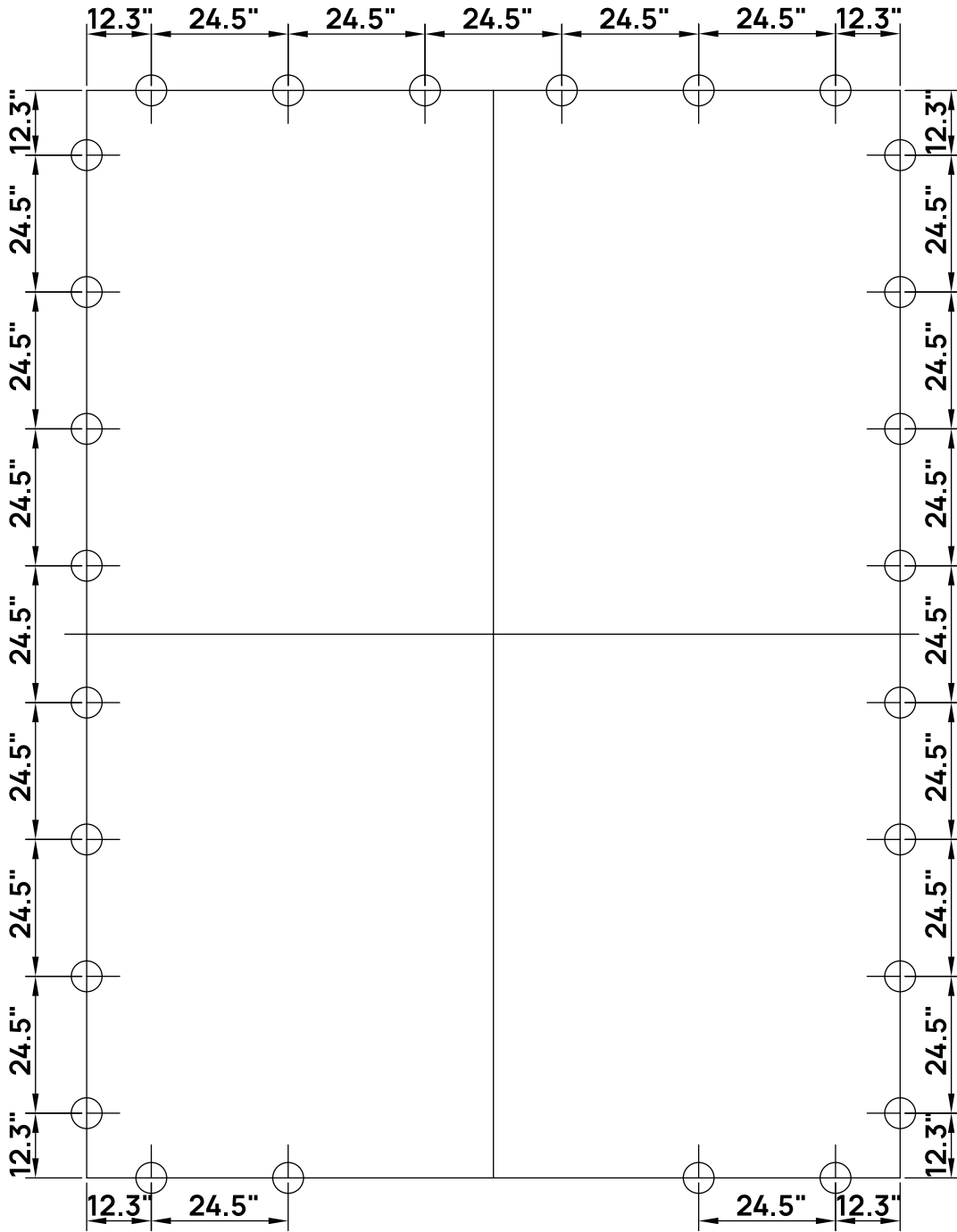


vegogarden.com



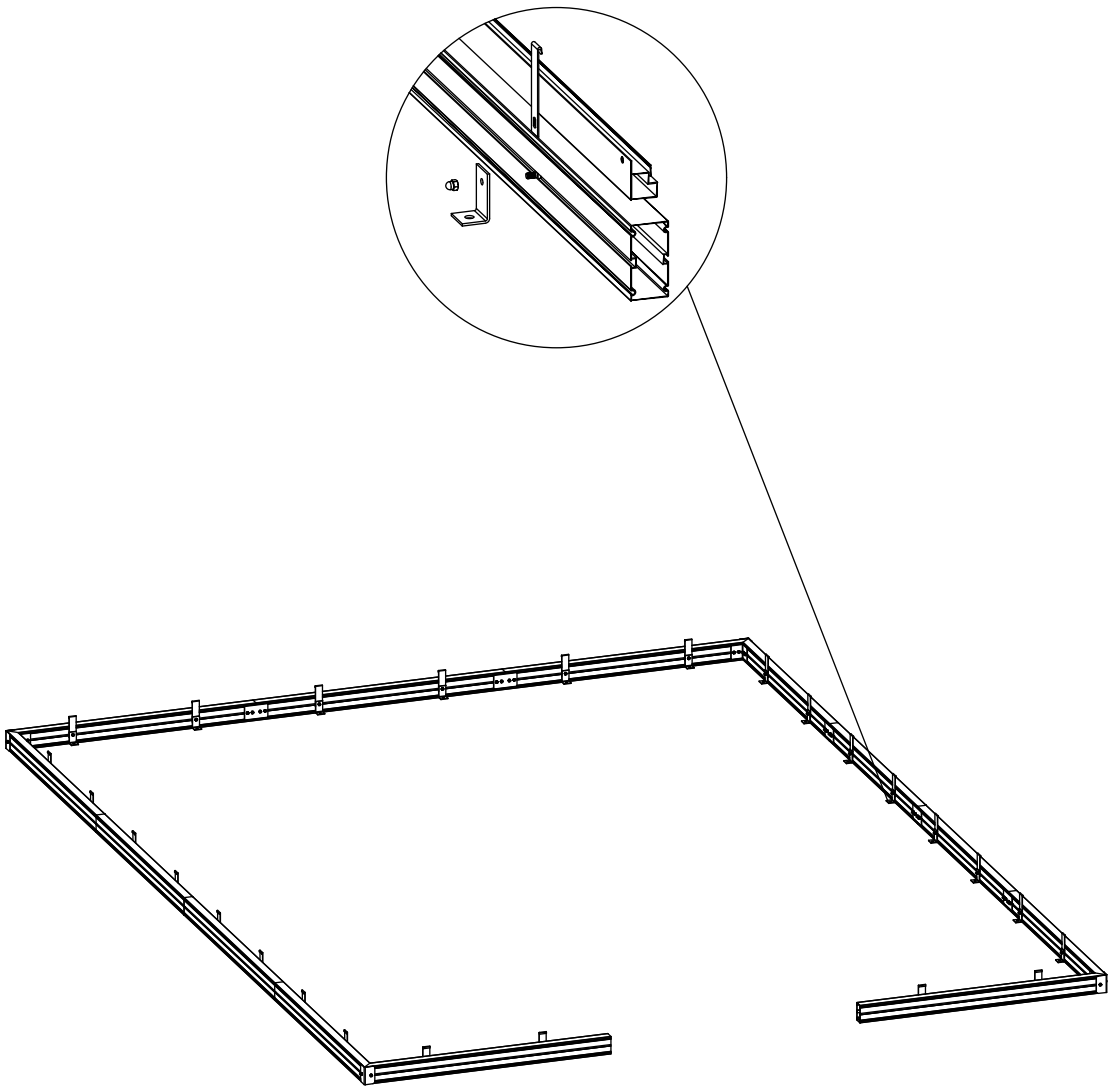
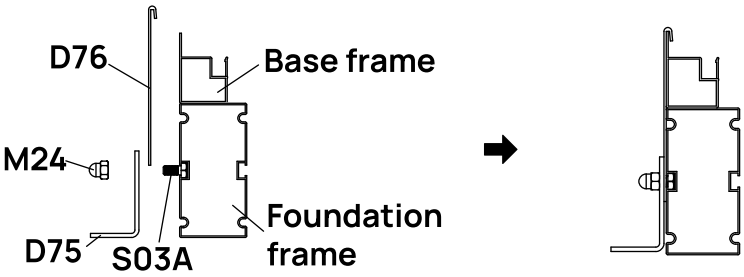
STEP
08

Mark 26 anchor holes on ground per the template below.

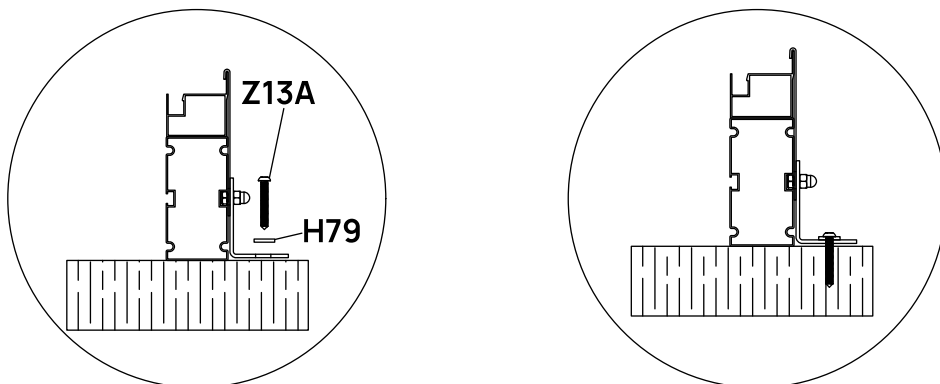


STEP
09

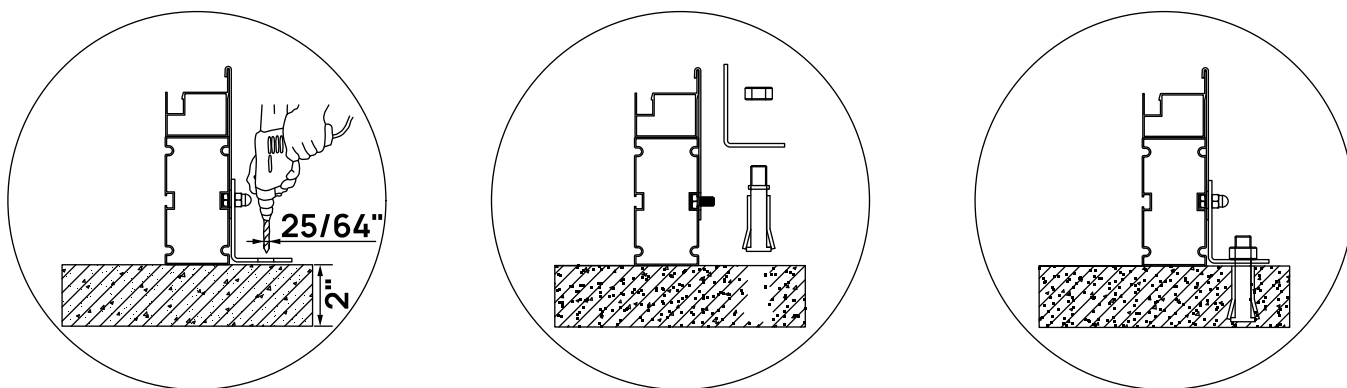
When connecting the base frame to the foundation frame, connect D75 and D76 brackets using the previously installed bolts and secure with cap nuts. Slide the assembled brackets over the marked anchor holes.



a. For wood surfaces, use Z13A wood screws and H79 washers to affix the base through the D75 bracket.



b. For cement surfaces, drill holes at a 2" depth with a hammer drill and 25/64" drill bit. Insert S08 expansion bolts into the holes, and attach D75 bracket using the included nuts.

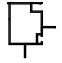
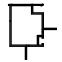

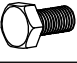
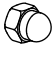


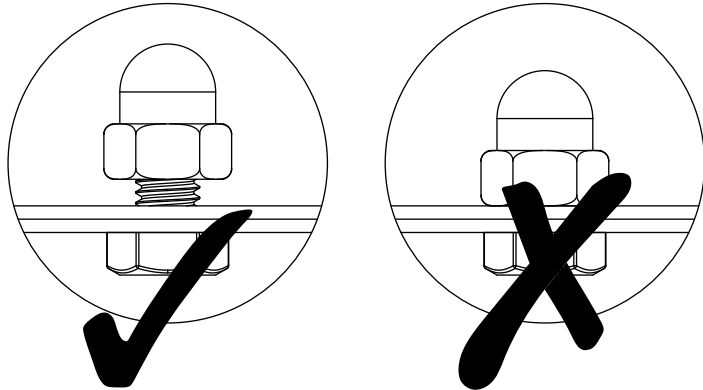
c. For bare ground installation, purchase heavy duty landscape stakes at least 12" long with a diameter of $\leq 3/8$ ". Drive the stakes through the brackets and into the soil.

Wall Assembly

STEP 01

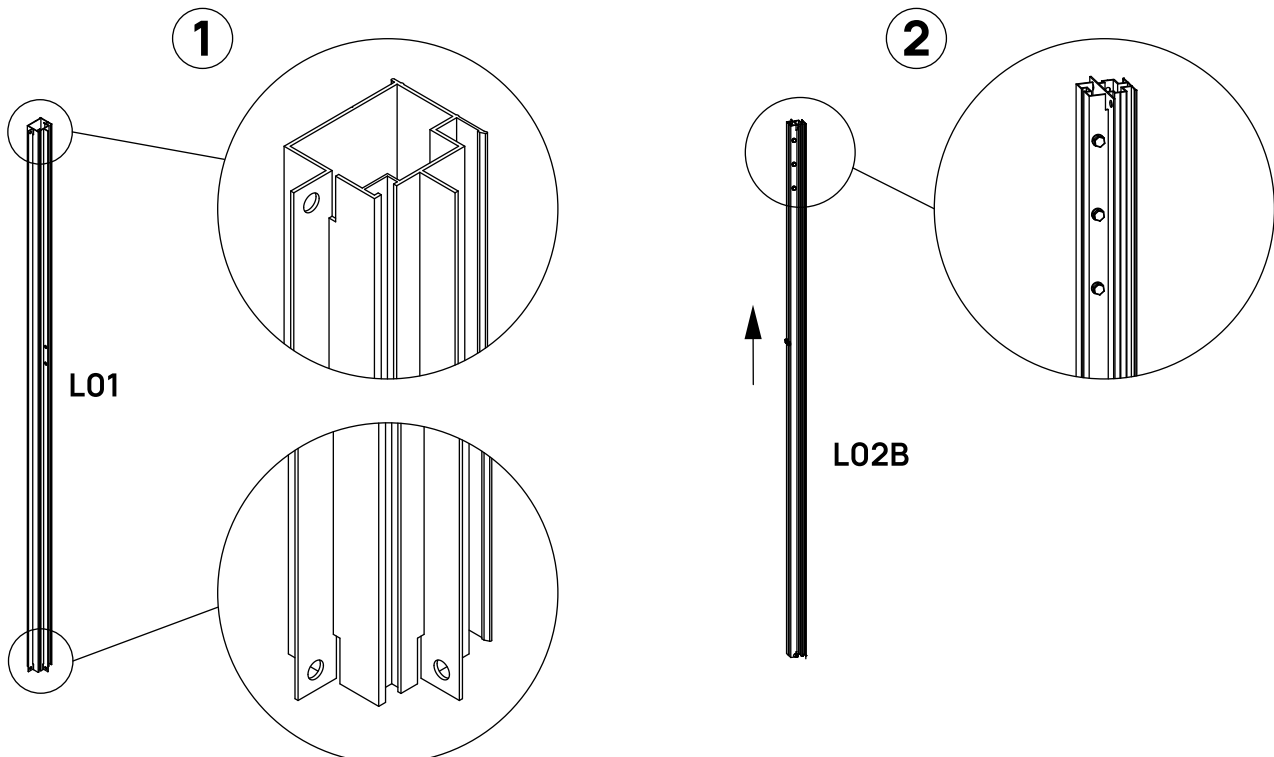
Assemble vertical frames as shown. Loosely attach all bolts and nuts. Do not tighten until the entire wall frame is completely assembled.

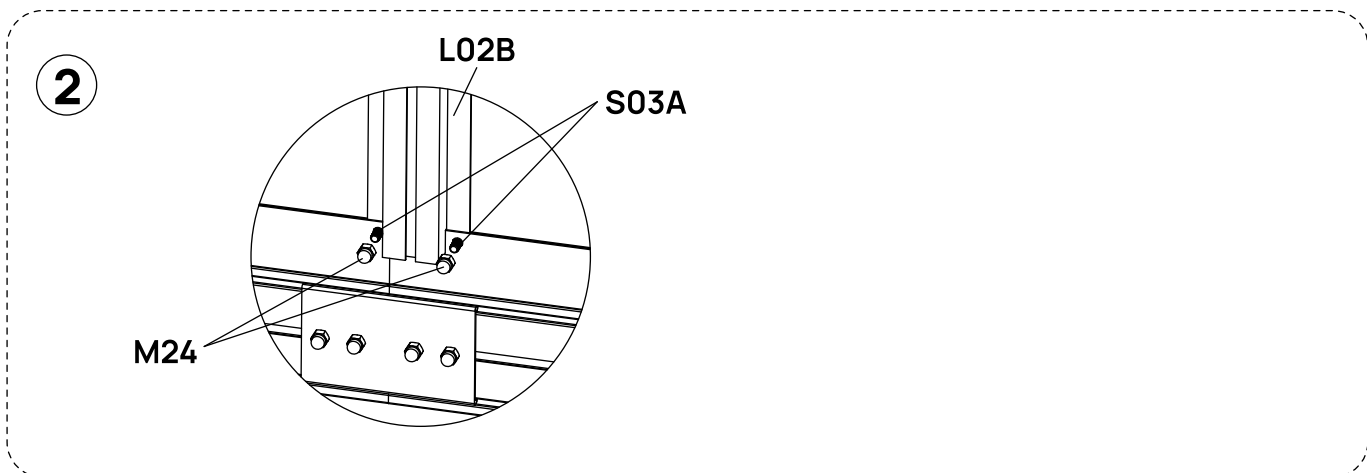
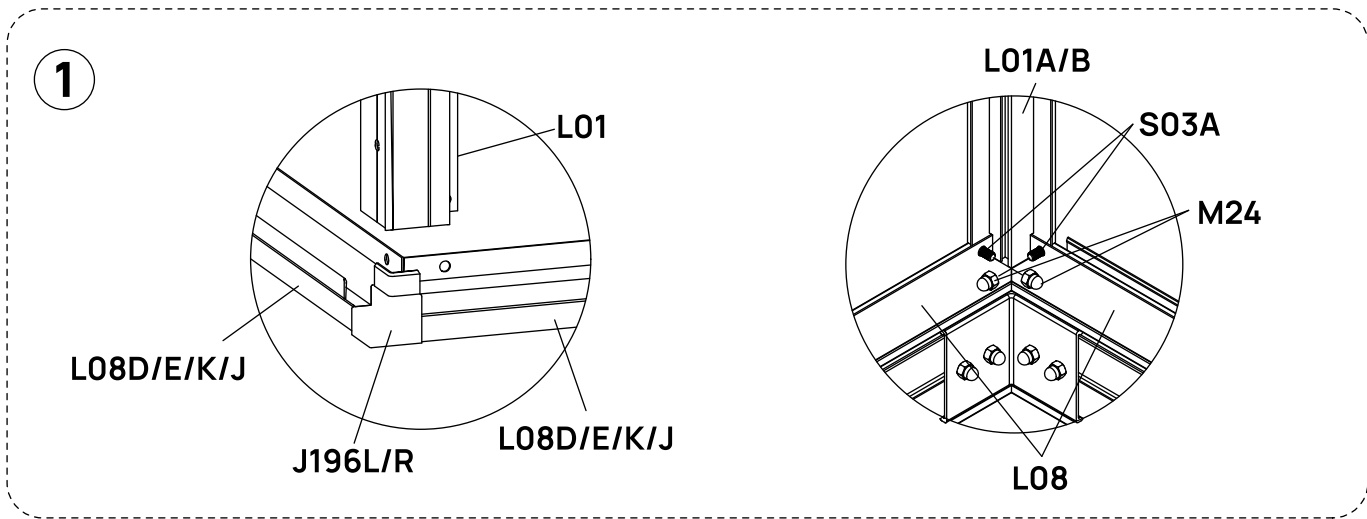
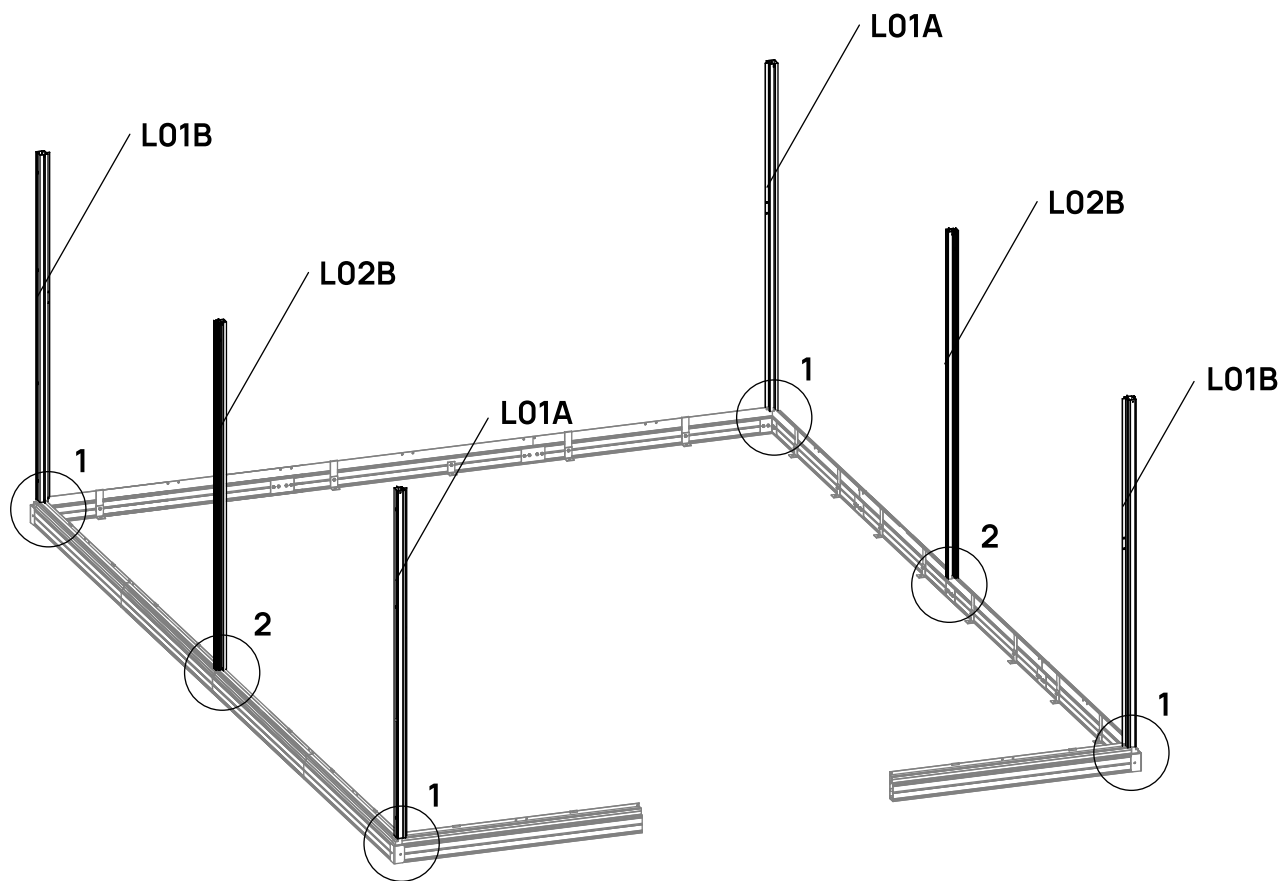
BOX	PART	NO	QTY
ALBOX-2		L01A	2
ALBOX-2		L01B	2
ALBOX-2		L02B	2
ALBOX-3		S03A M6X10	12
ALBOX-3		M24 M6	12



Note:





1. For L01A/B frames: the ends with one hole face upward.
2. For L02B frames: the ends with pre-installed bolts face upward.

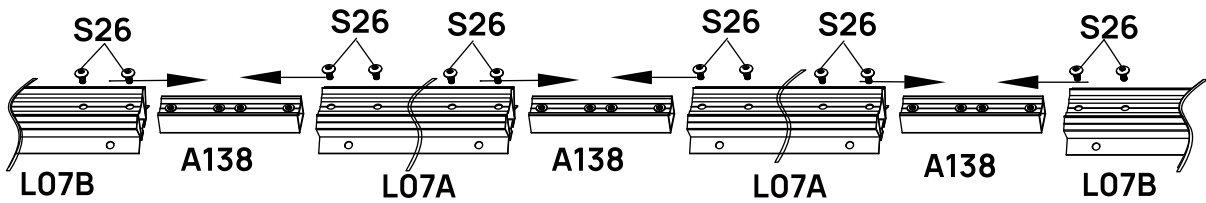




STEP
02

Assemble the horizontal eave pieces with A138 connectors and S26A bolts as shown.

BOX	PART	NO	QTY
ALBOX-5		L07A	4
ALBOX-5		L07B	4
ALBOX-3		A138	6
Pre-installed		S26A M5X12	24





X 2

Note:

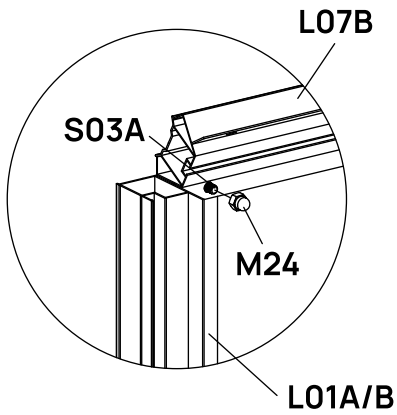
Before installing L07B, remove the S26A bolts that are pre-installed on A138.

STEP
03

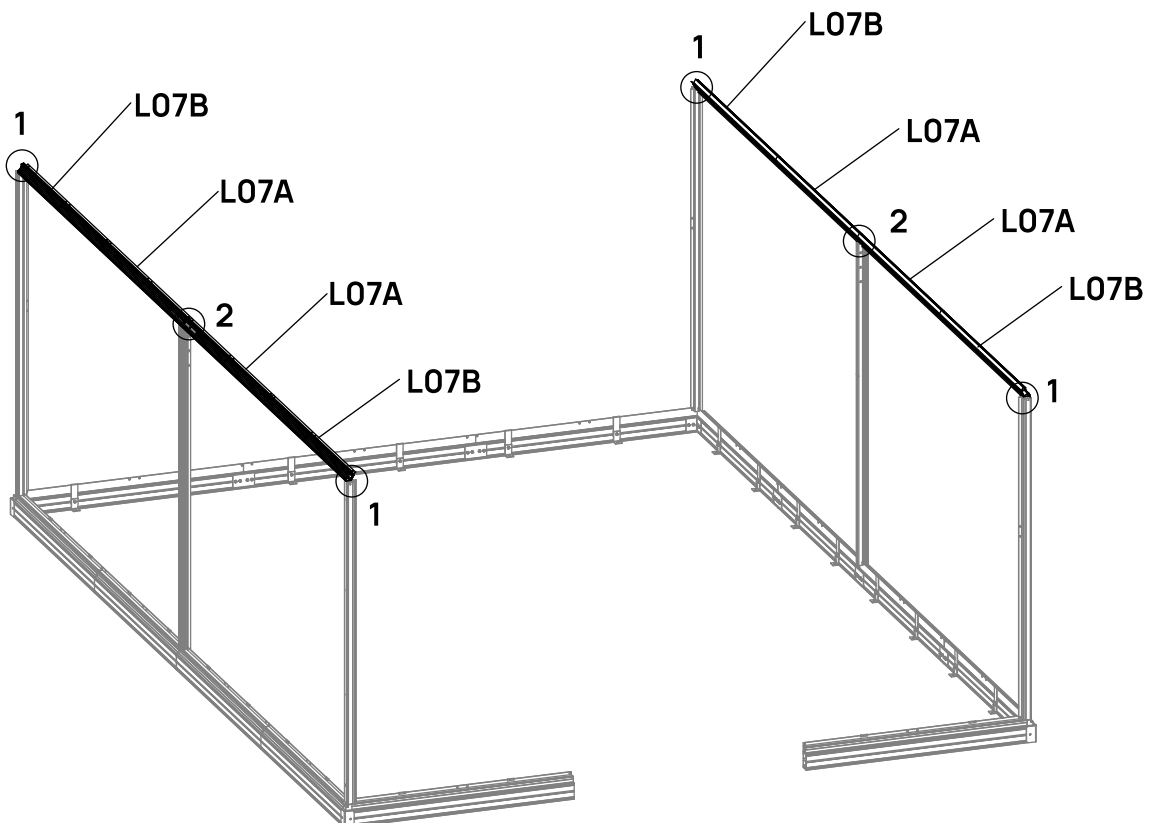
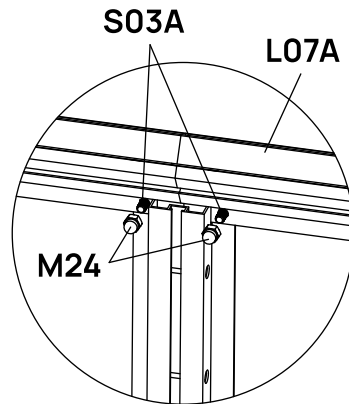
Attach the horizontal eave frames to the vertical frames as shown.

BOX	PART	NO	QTY
ALBOX-3		S03A M6X10	8
ALBOX-3		M24 M6	8

①




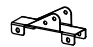



②

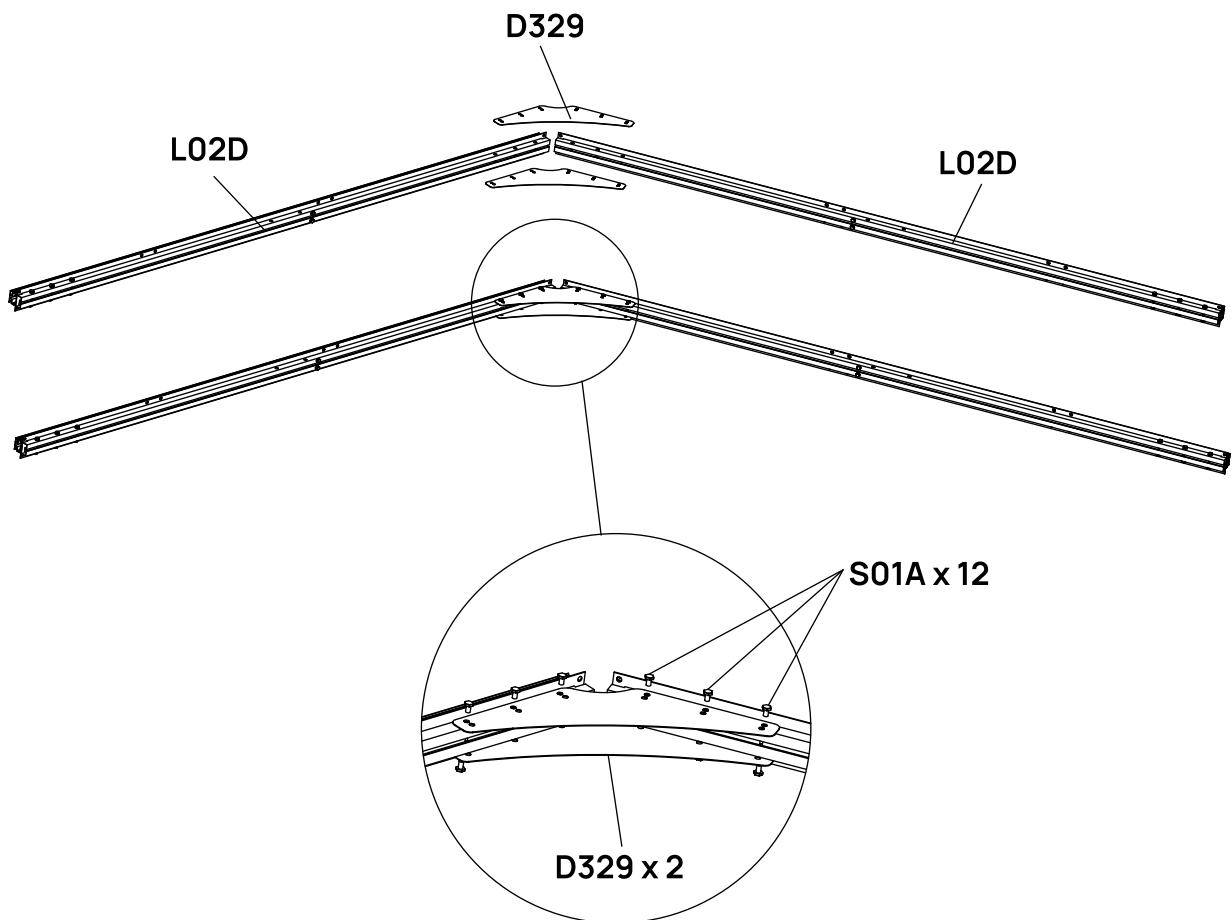
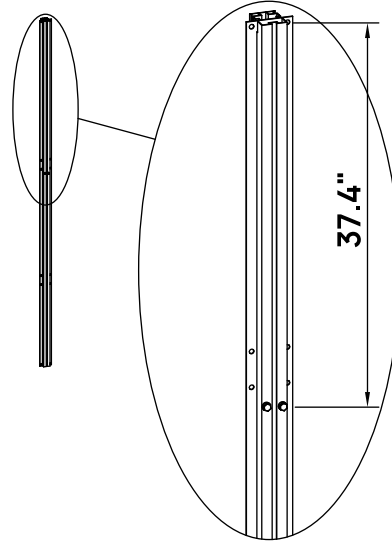


STEP
04

Assemble a roof rafter piece with D329 brackets as shown.

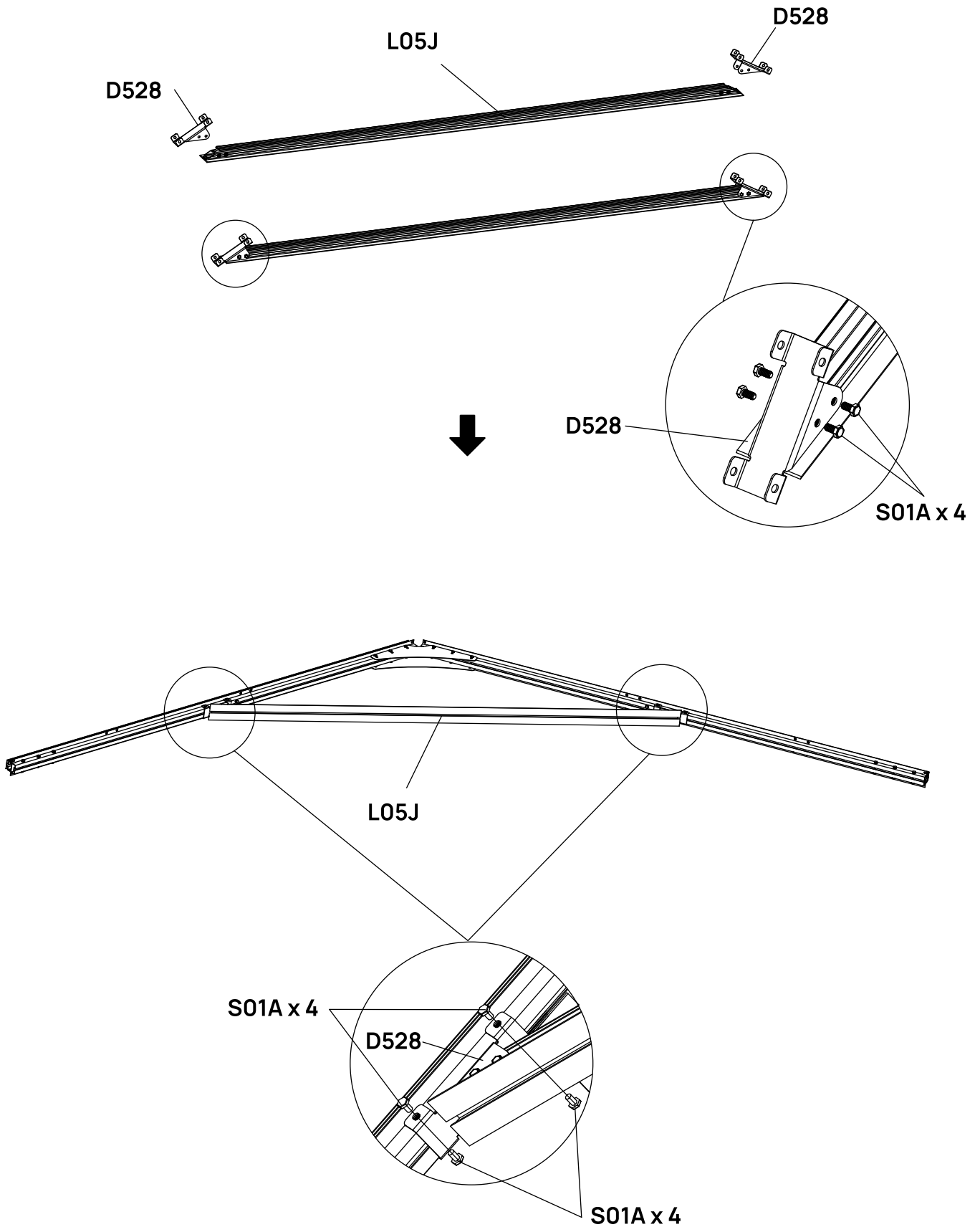
BOX	PART	NO	QTY
ALBOX-1		L02D	2
ALBOX-1		L05J	1
ALBOX-3		D329	2
ALBOX-3		D528	2
Pre-installed		S01A M6X12	28

The ends with pre-installed bolts face upward.




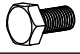

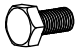

STEP
05

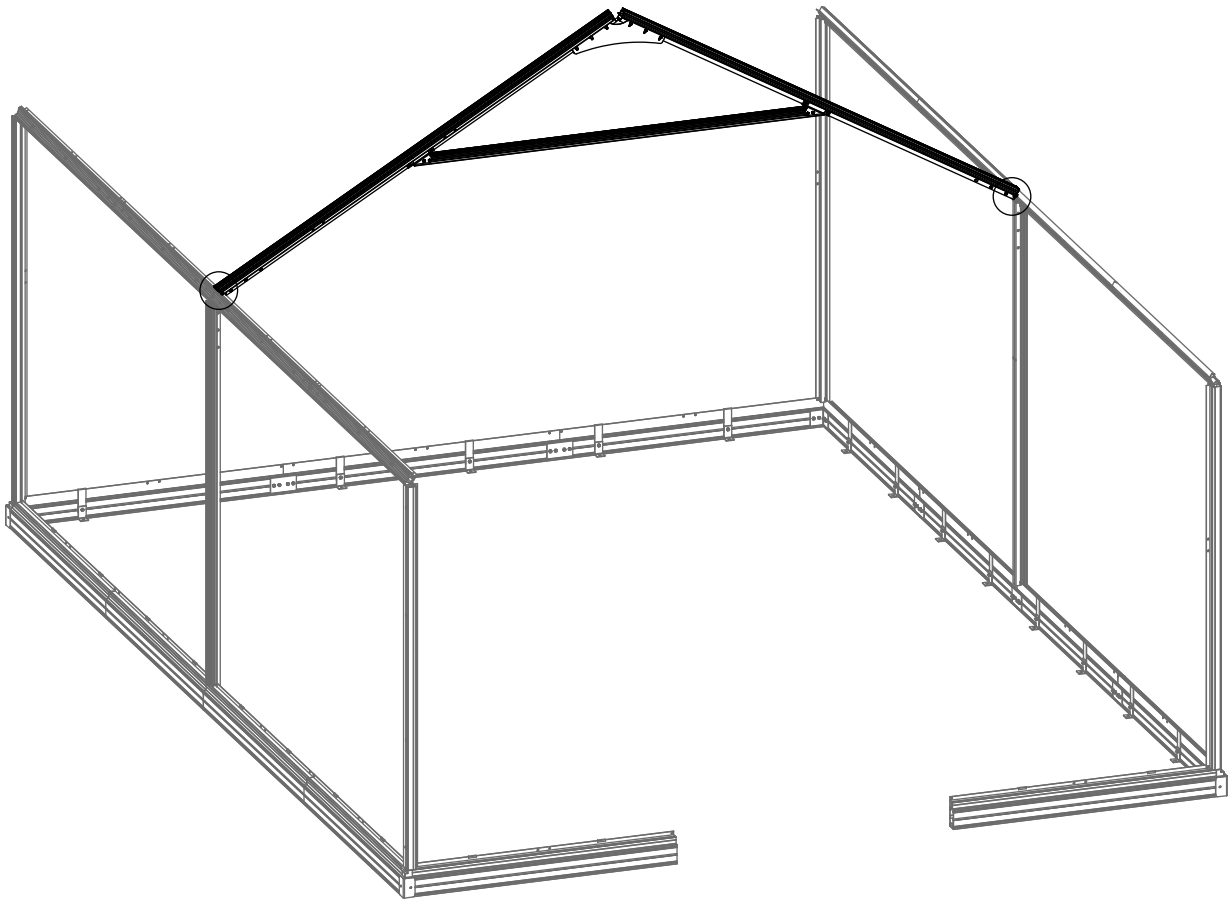
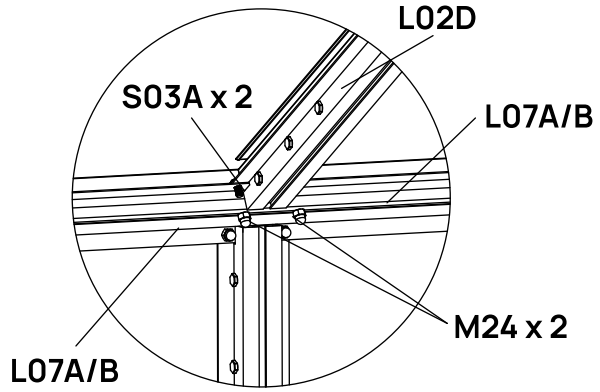
Assemble and attach the support bar to the rafter as shown.



STEP
06

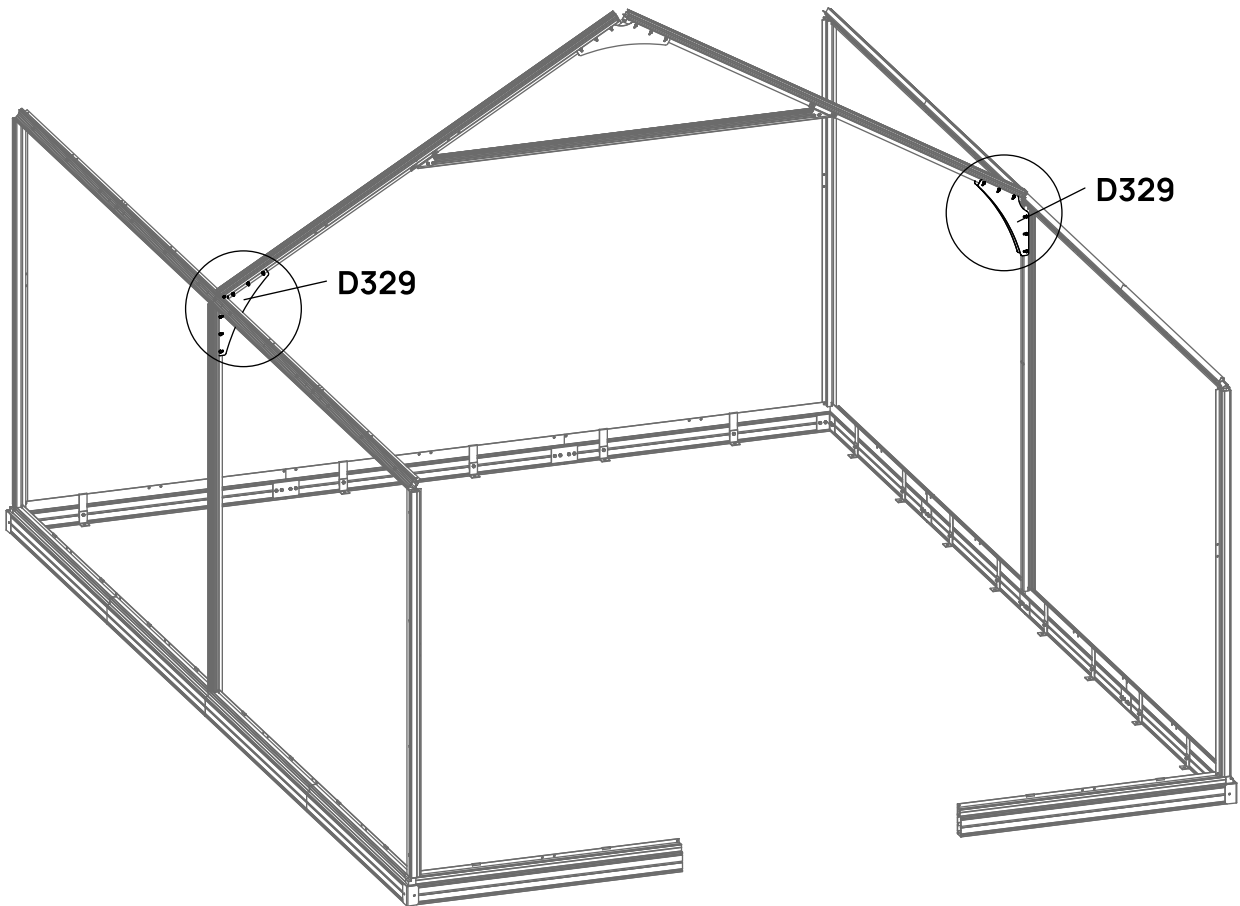
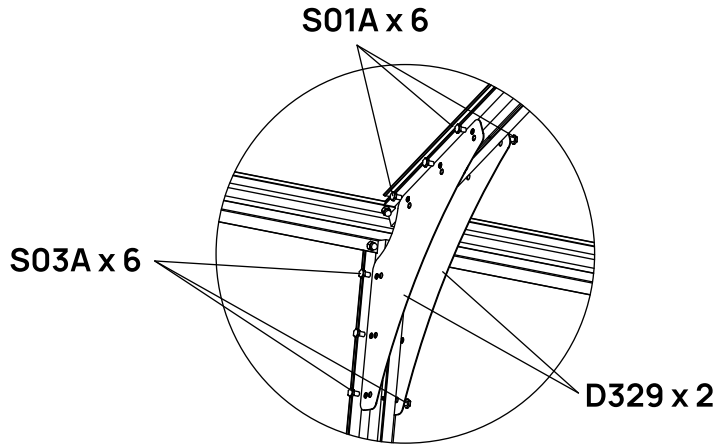
Attach the support braces as shown.

BOX	PART	NO	QTY
ALBOX-3		D329	4
ALBOX-3		S03A M6X10	4
ALBOX-3		M24 M6	4
Pre-installed		S01A M6X12	12
Pre-installed		S03A M6X10	12







STEP
07

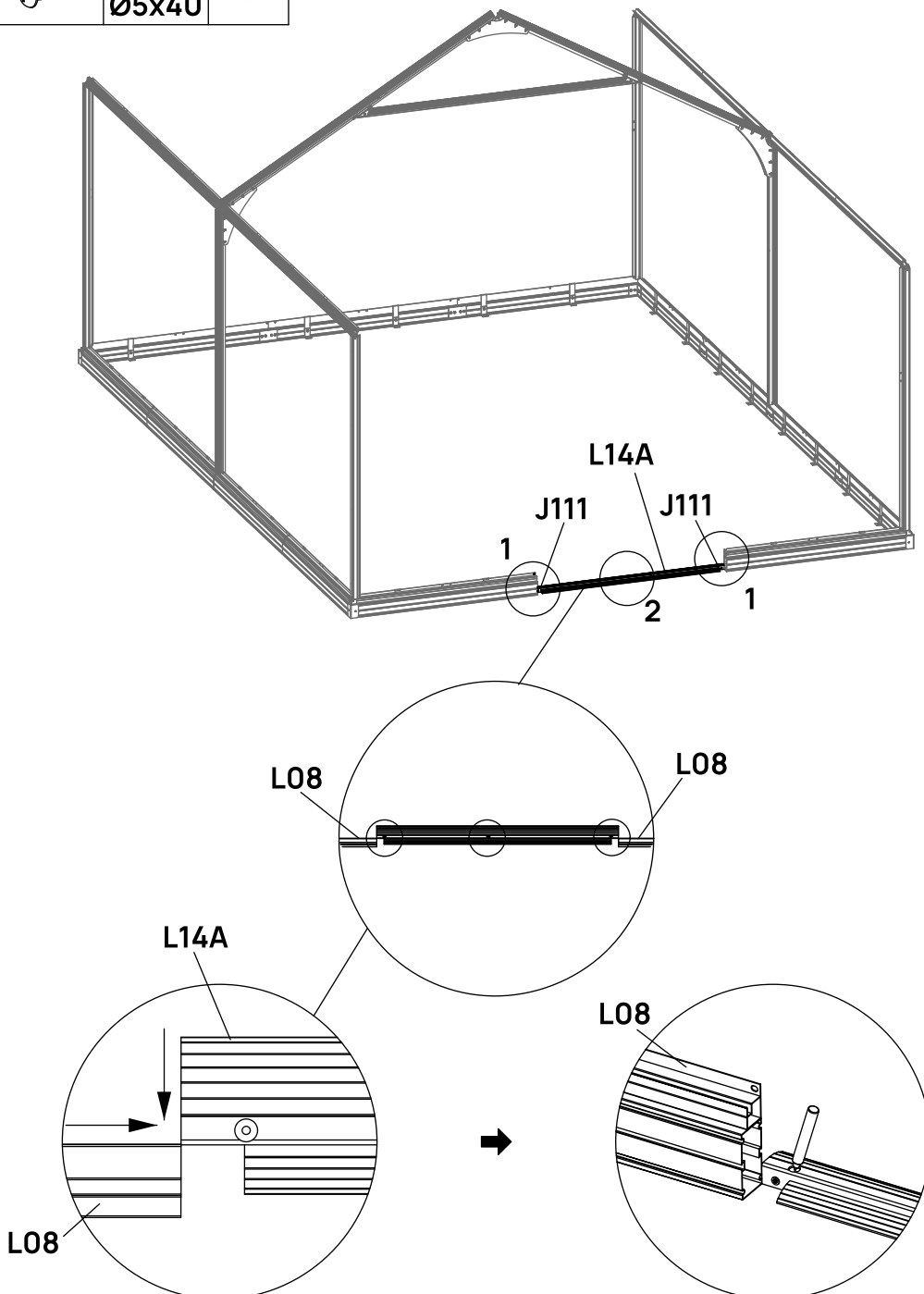
Attach the support brackets as shown.



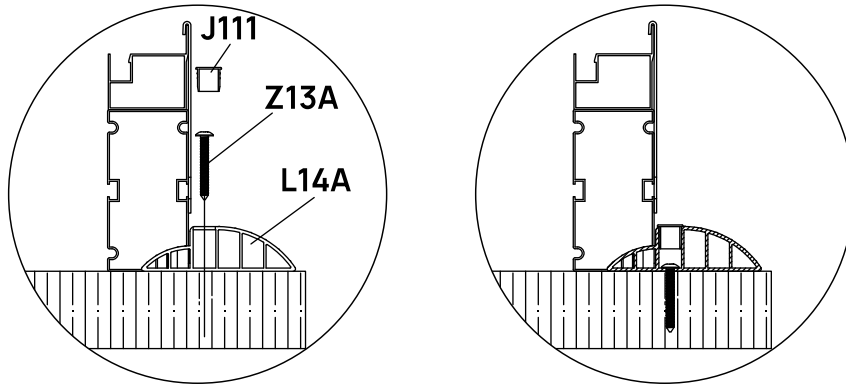
STEP
08

Align the L14A threshold piece with the base frame as shown in the diagram. Make a mark through each of the three holes.

BOX	PART	NO	QTY
ALBOX-4		L14A	1
ALBOX-3		J111	2
ALBOX-3		J129	3
ALBOX-3		Z13A Ø5x40	3

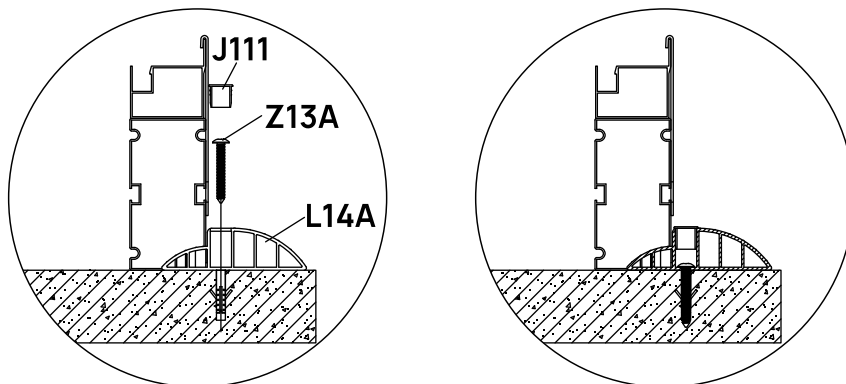
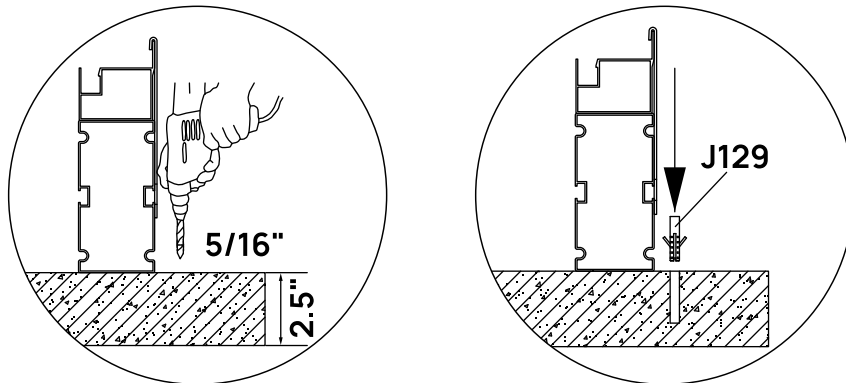


a. For wood surfaces, use Z13A screws to affix the threshold directly to the ground.



b. For cement surfaces, remove the threshold piece, drill pilot holes at 2.5" depth with a 5/16" drill bit, insert J129 expansion anchors into the holes, then use 13A screws to affix threshold back to the ground.

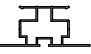
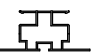
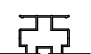



c. Finally use J111 caps to seal the holes.

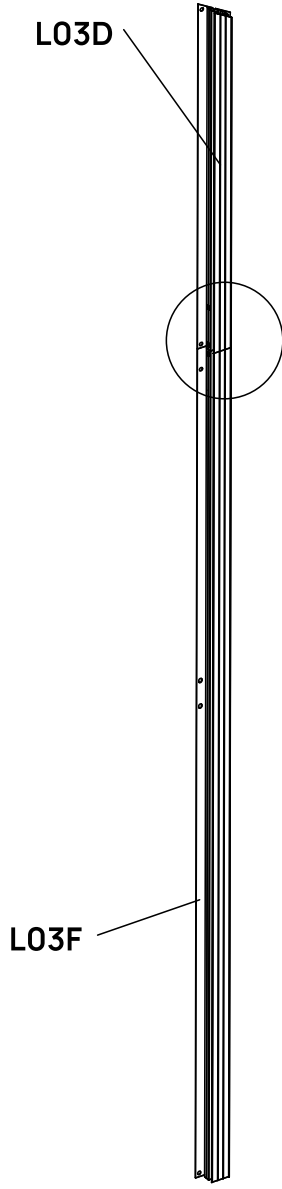
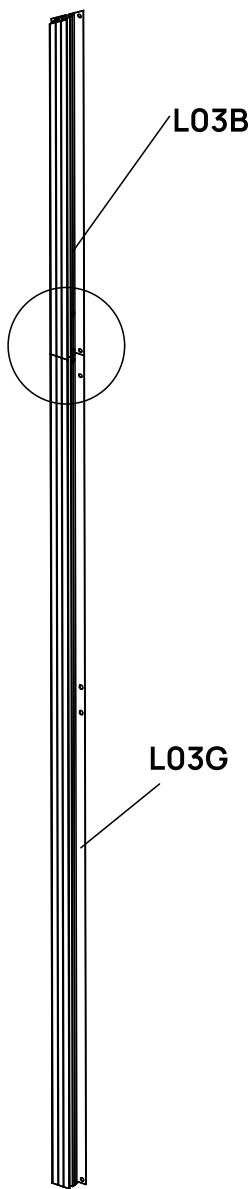
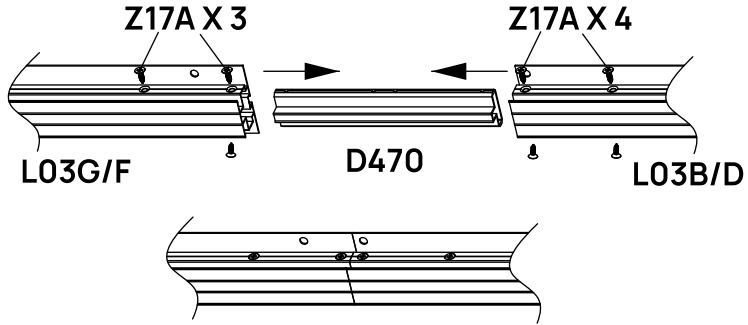


Note: The middle hole is not equipped with J111.

STEP
09

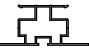
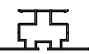




Assemble L03B/G and L03D/F door frame pieces as shown, using D470 connectors and Z17A screws. Use only one Z17A screw on the inner side of L03G and L03F as shown.

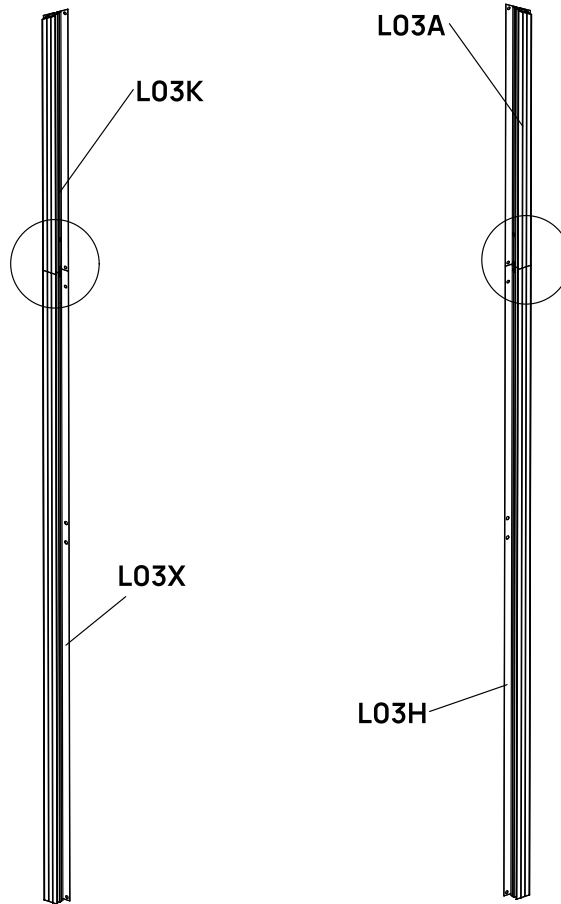
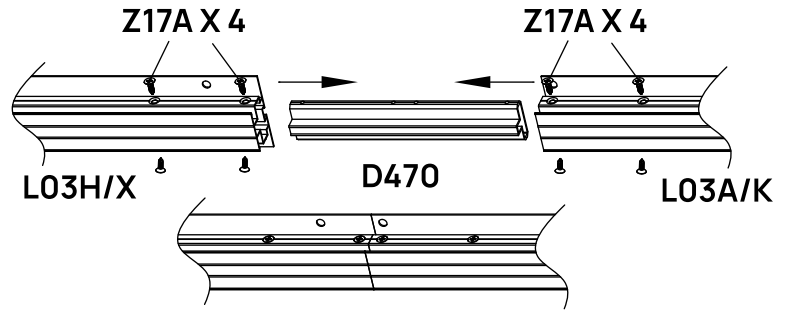
BOX	PART	NO	QTY
ALBOX-3		L03B	1
ALBOX-1		L03G	1
ALBOX-3		L03D	1
ALBOX-1		L03F	1
ALBOX-3		D470	2
ALBOX-3		Z17A M4.8X16	14



STEP
10

Assemble L03K/X and L03A/H frame pieces as shown, using D470 connectors and Z17A screws.

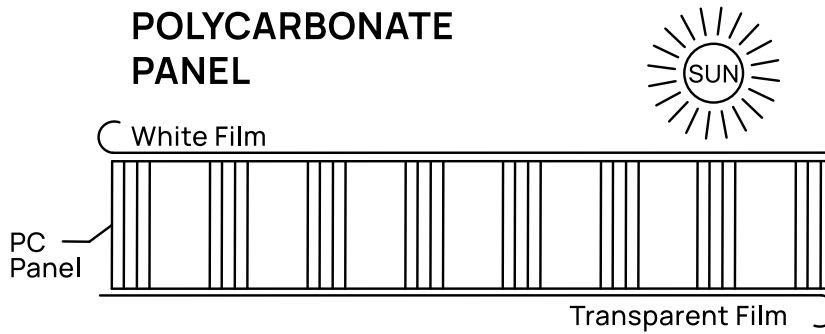
BOX	PART	NO	QTY
ALBOX-3		L03A	1
ALBOX-2		L03H	1
ALBOX-3		L03K	1
ALBOX-2		L03X	1
ALBOX-3		D470	2
ALBOX-3		Z17A M4.8X16	16



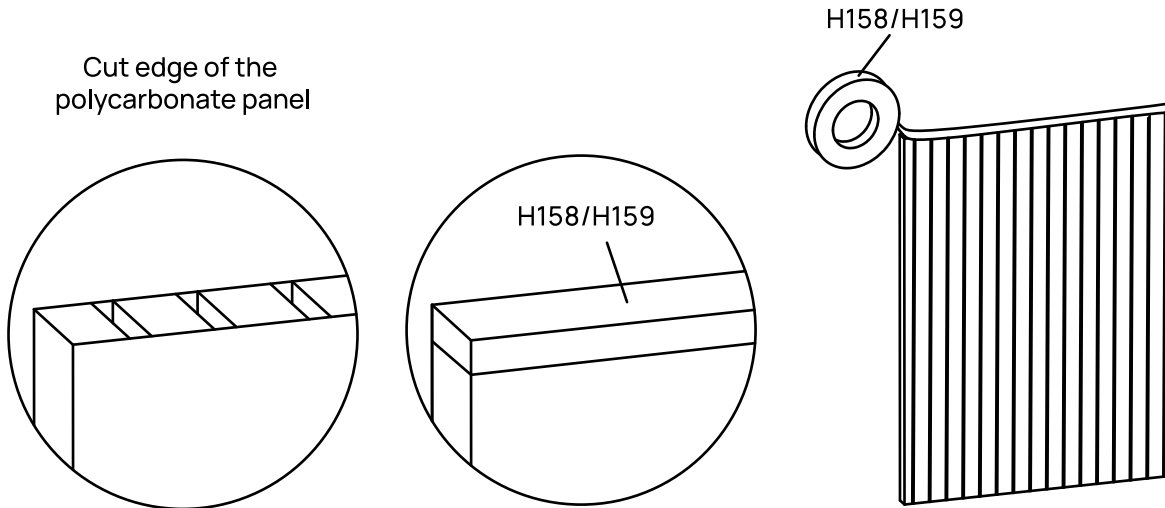
STEP
11

For PC panels

Remove the clear film prior to assembly. The white film indicates the UV-Protected side of the panels. Peel back the white film to expose only the edges (until the panels are in place) to ensure that the UV-Protected side is facing outwards in final assembly.



Cover the two cut edges of the PC panels with the provided tape before installation to seal the channels & prevent moisture from getting trapped inside.


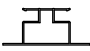



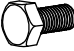




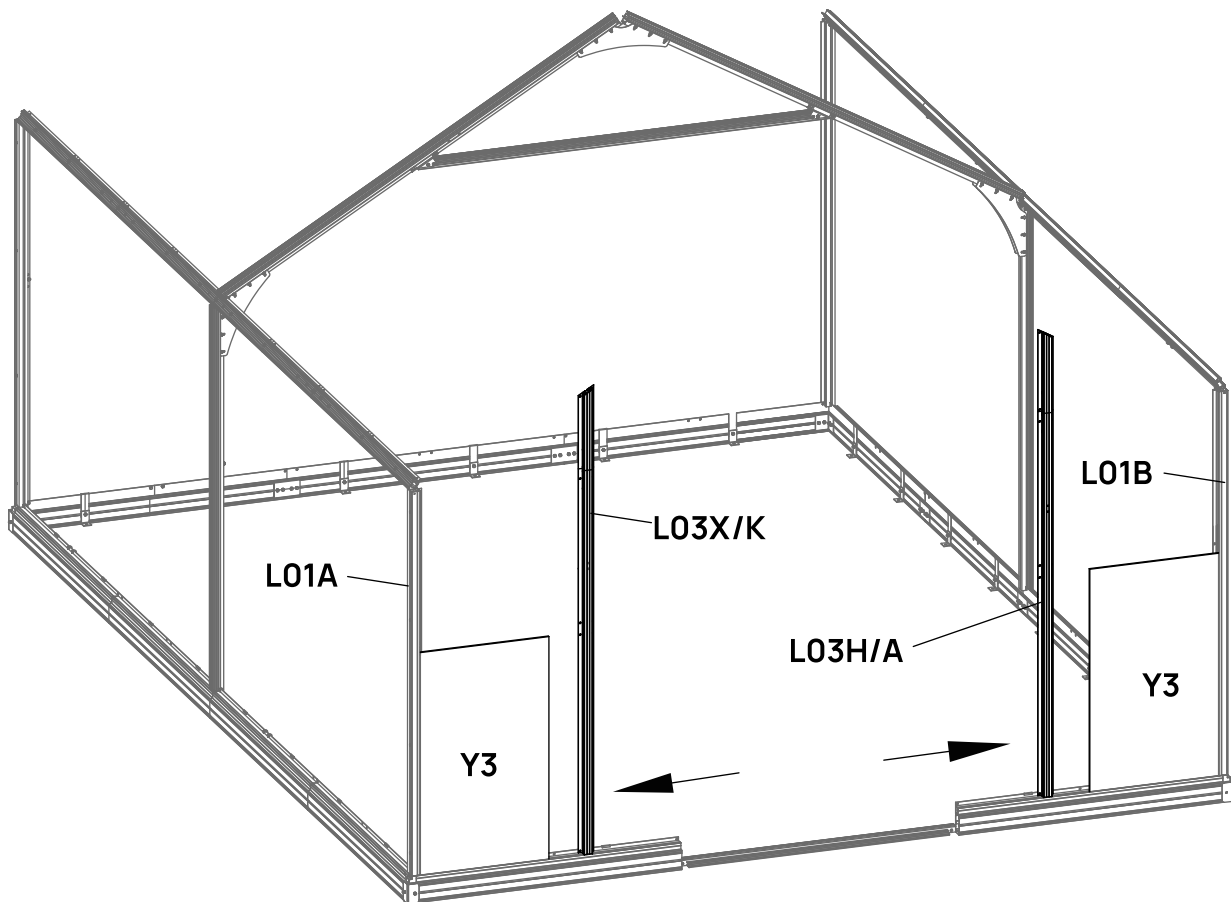
For Glass panels

- H158/H159 Tape is not required.
- Handle with care to avoid breakage.
- Watch out for sharp corners and edges.
- Use glass suction cups (not provided) for safe handling.
- Do not apply excessive force or strike the glass during installation.

STEP
12

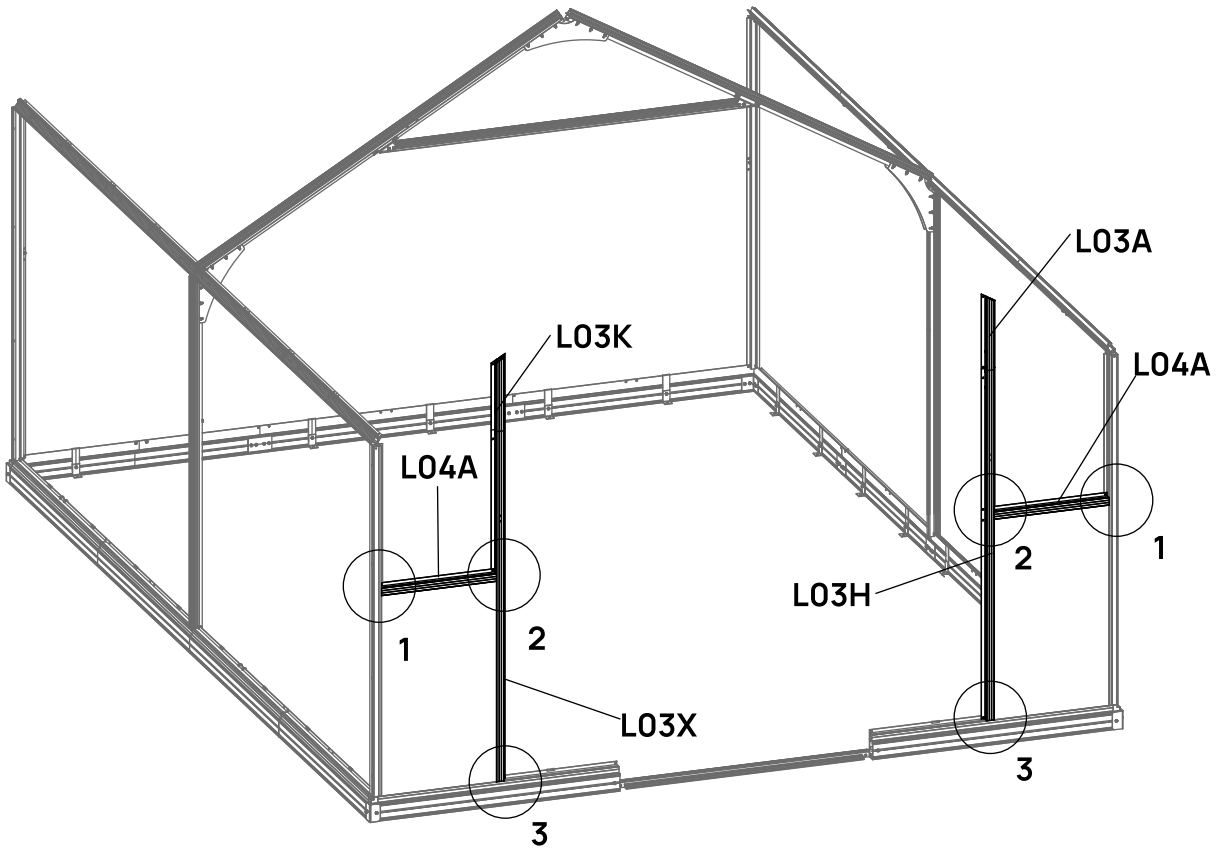
Insert Y3 panels into the groove of L01A/B and into the base frame, then install the L03 pieces as shown.

BOX	PART	NO	QTY
PCBOX-3		Y3	4
GLBOX-1			
ALBOX-3		L04A	4
ALBOX-3		D469	2
Pre-installed		S26A	2
		M5X12	
ALBOX-3		S99	2
		M5X45	
ALBOX-3		S03A	24
		M6X10	
ALBOX-3		M24	24
		M6	
PCBOX-3		H158	1
GLBOX-1		H159	

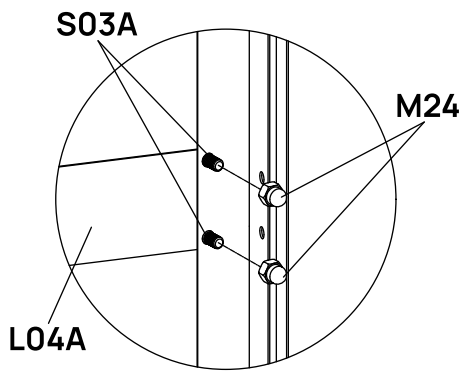


STEP
13

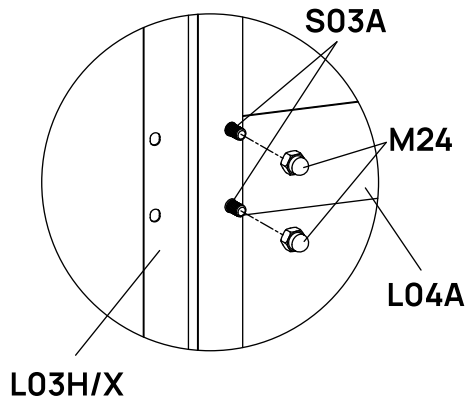
Assemble L04A connecting frames as shown.



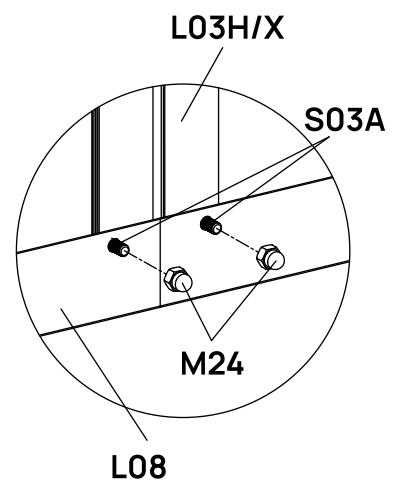
1



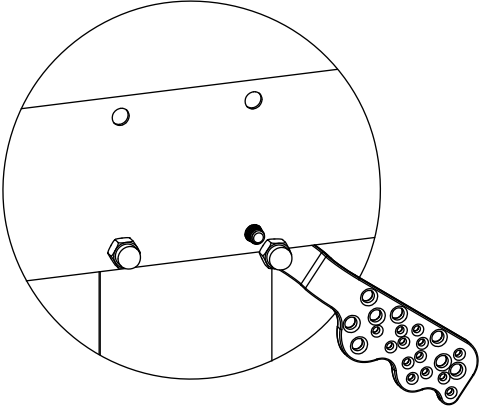
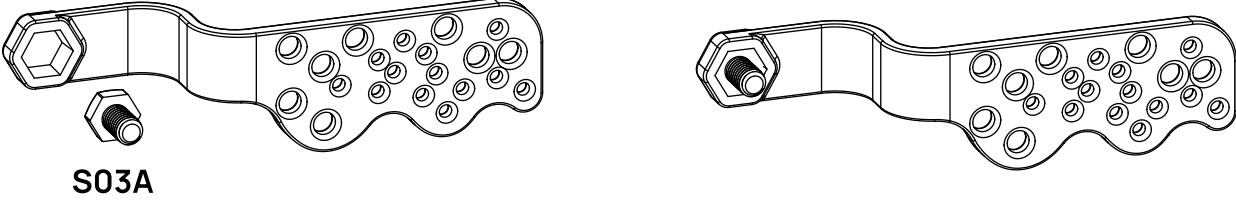
2



3



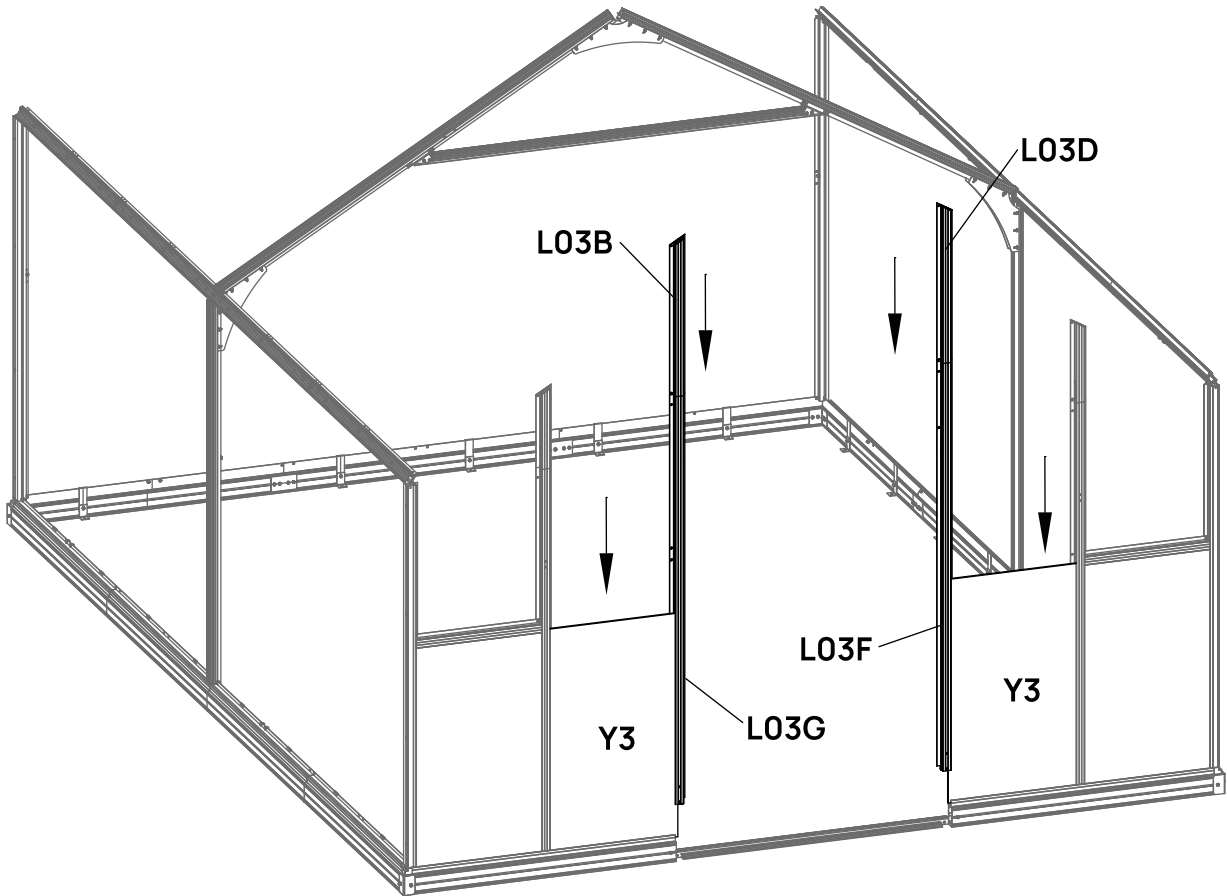
Note: For easier installation, use the provided hex tool.
Position the head of S03A bolt in the tool, then use it to insert the bolt into the frames and secure with M24 nut.
Repeat this process for all hard-to-access locations.



vegogarden.com

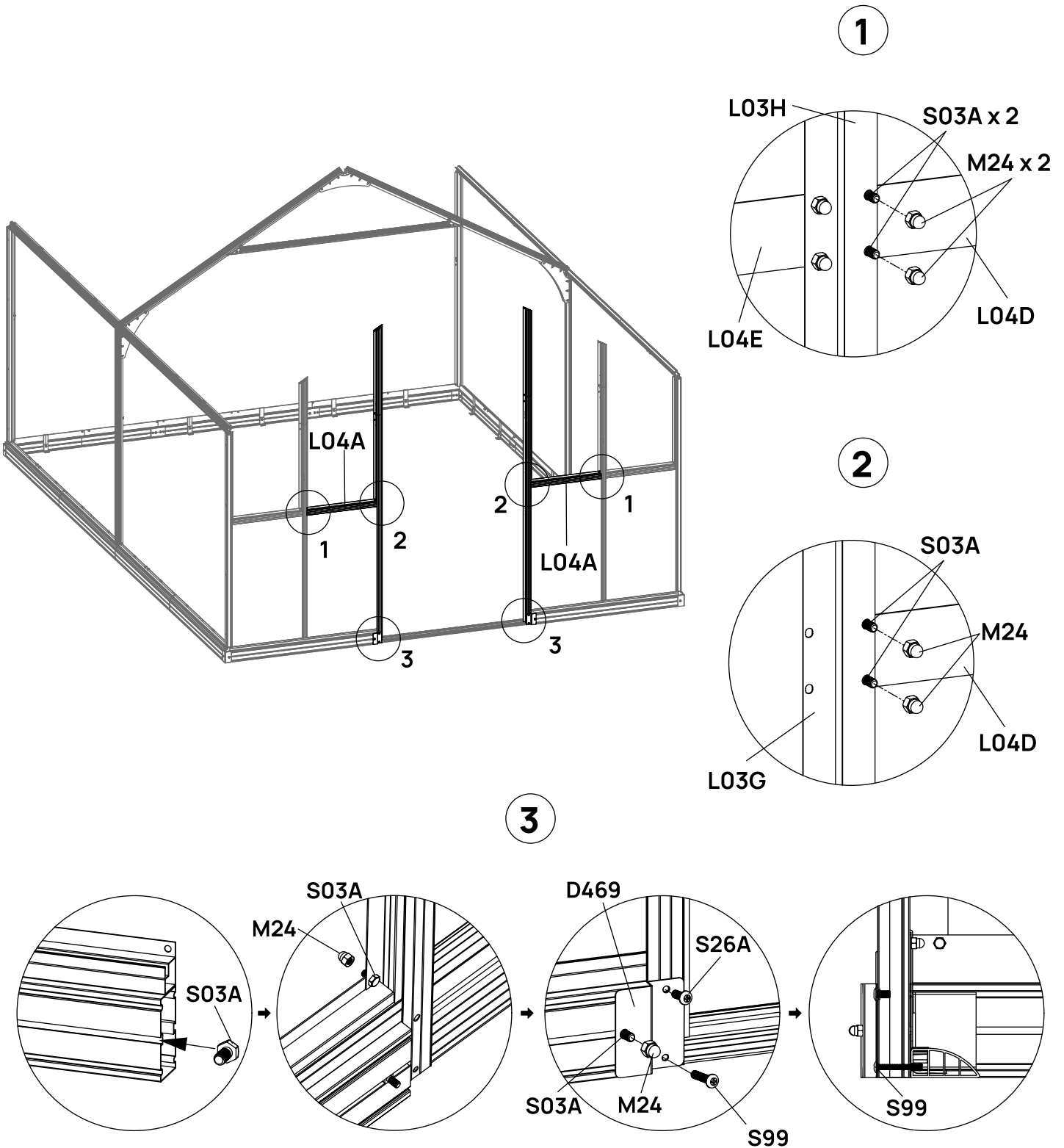
STEP
14

Insert Y3 panels as shown, then install the L03 pieces.



STEP
15

Assemble L04A connecting frames and secure L03 pieces in place as shown.



Slide one S03A in the groove of the foundation piece in the front as shown. Attach the L03 door frame to the base and foundation, secure it with the mounting plate D469, using specific bolts as shown.

Note: S26A is pre-installed.


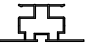
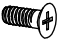




STEP
16

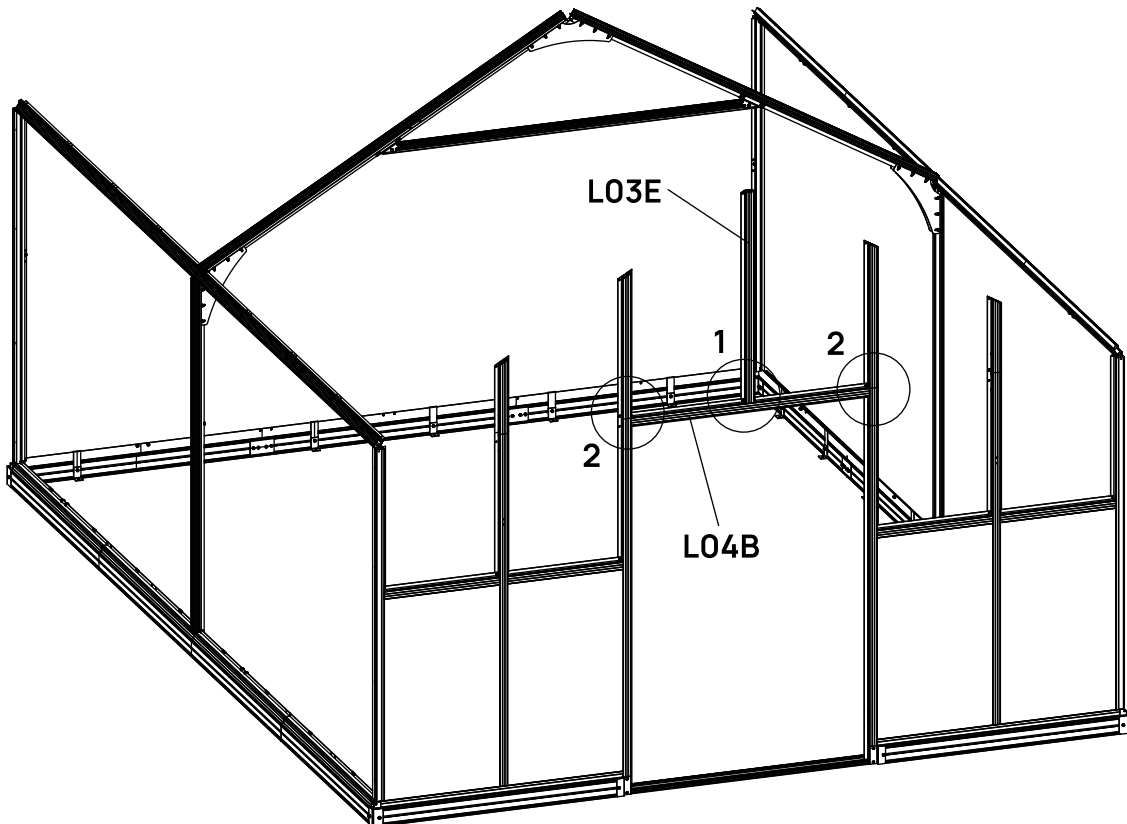
Assemble L04B and L03E frames as shown.

Note: Different hardware is required for top and bottom holes on L03G/F.

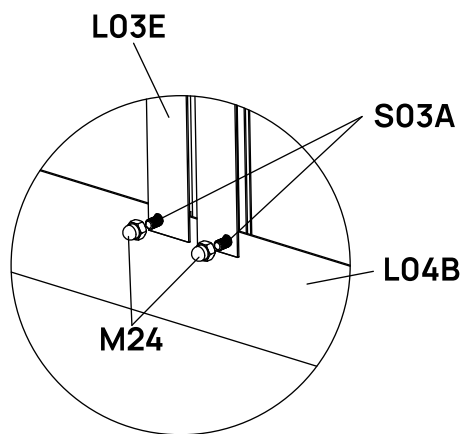
Top holes: S03A, M24

Bottom holes: S27A, H137, M31

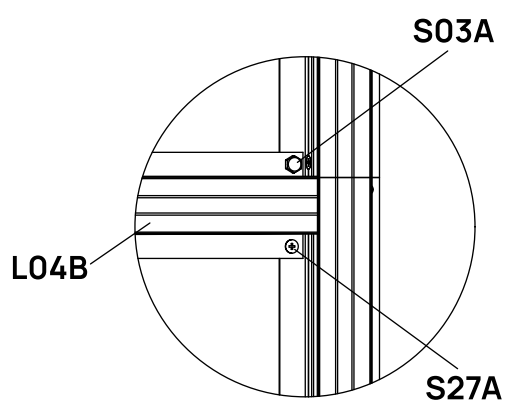
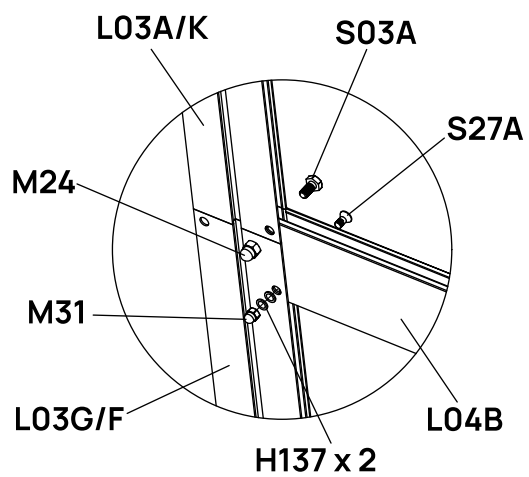
BOX	PART	NO	QTY
ALBOX-4		L04B	1
ALBOX-4		L03E	1
ALBOX-3		S27A M5X12	2
ALBOX-3		M31 M5	2
ALBOX-3		S03A M6X10	4
ALBOX-3		H137	4
ALBOX-3		M24 M6	4



1





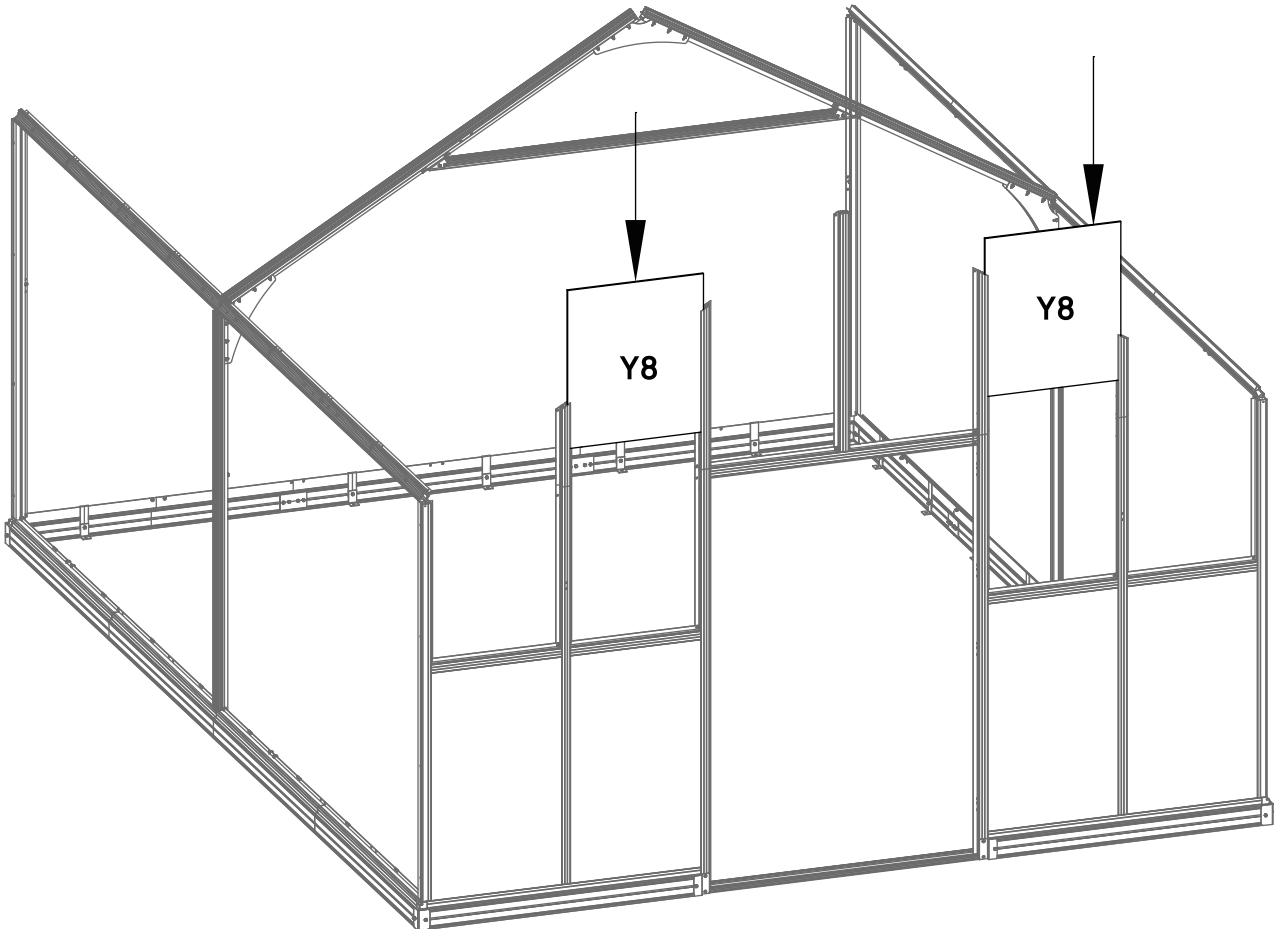
2



STEP
17


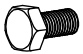

Insert Y8 panels into place as shown.

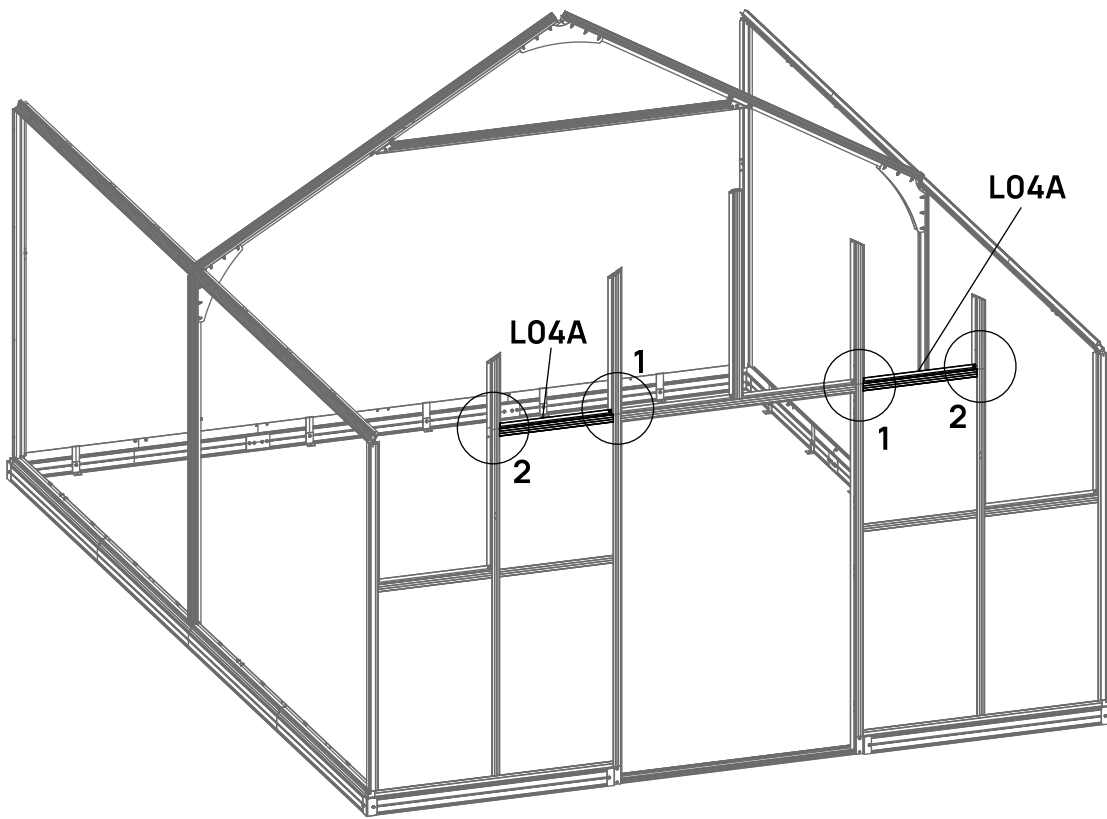
BOX	PART	NO	QTY
PCBOX-3		Y8	2
GLBOX-1			
PCBOX-3		H158	1
GLBOX-1		H159	



STEP
18

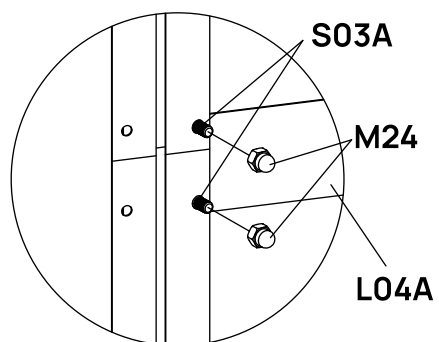
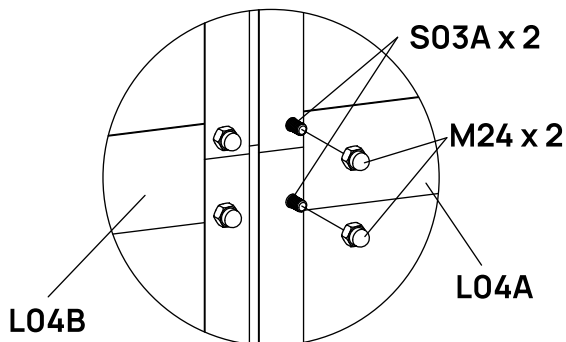
Assemble L04A frames as shown.

BOX	PART	NO	QTY
ALBOX-3		L04A	2
ALBOX-3		S03A M6X10	8
ALBOX-3		M24 M6	8



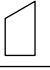


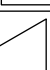
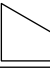


①

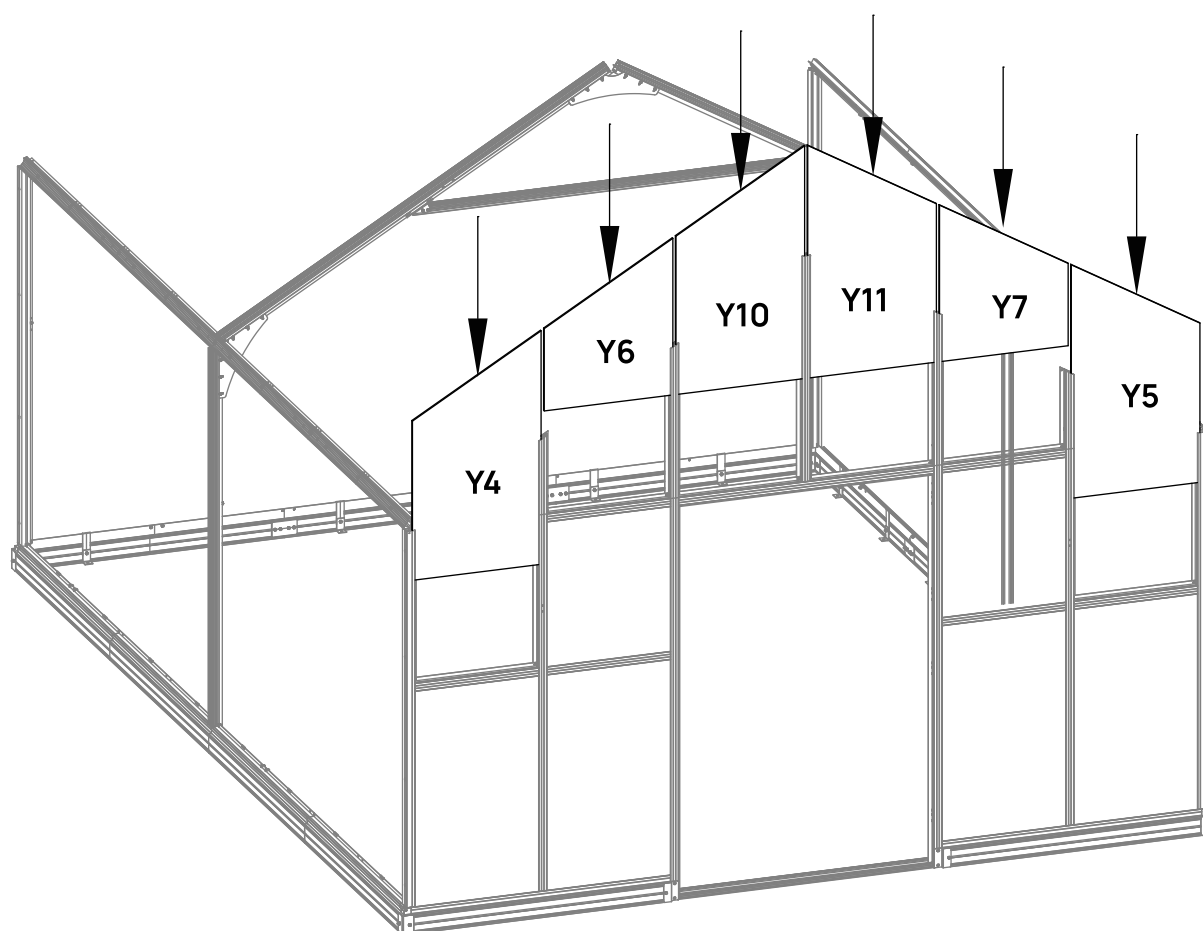
②



STEP
19


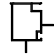


Insert the front gable panels as shown.

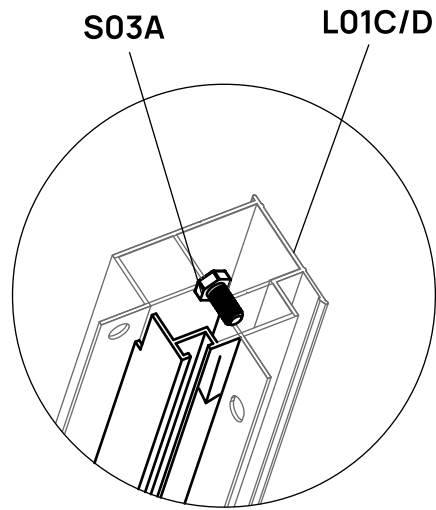
BOX	PART	NO	QTY
PCBOX-3		Y4	1
GLBOX-1		Y5	1
PCBOX-3		Y6	1
GLBOX-1		Y7	1
PCBOX-3		Y10	1
GLBOX-1		Y11	1
PCBOX-3		H158	1
GLBOX-1		H159	



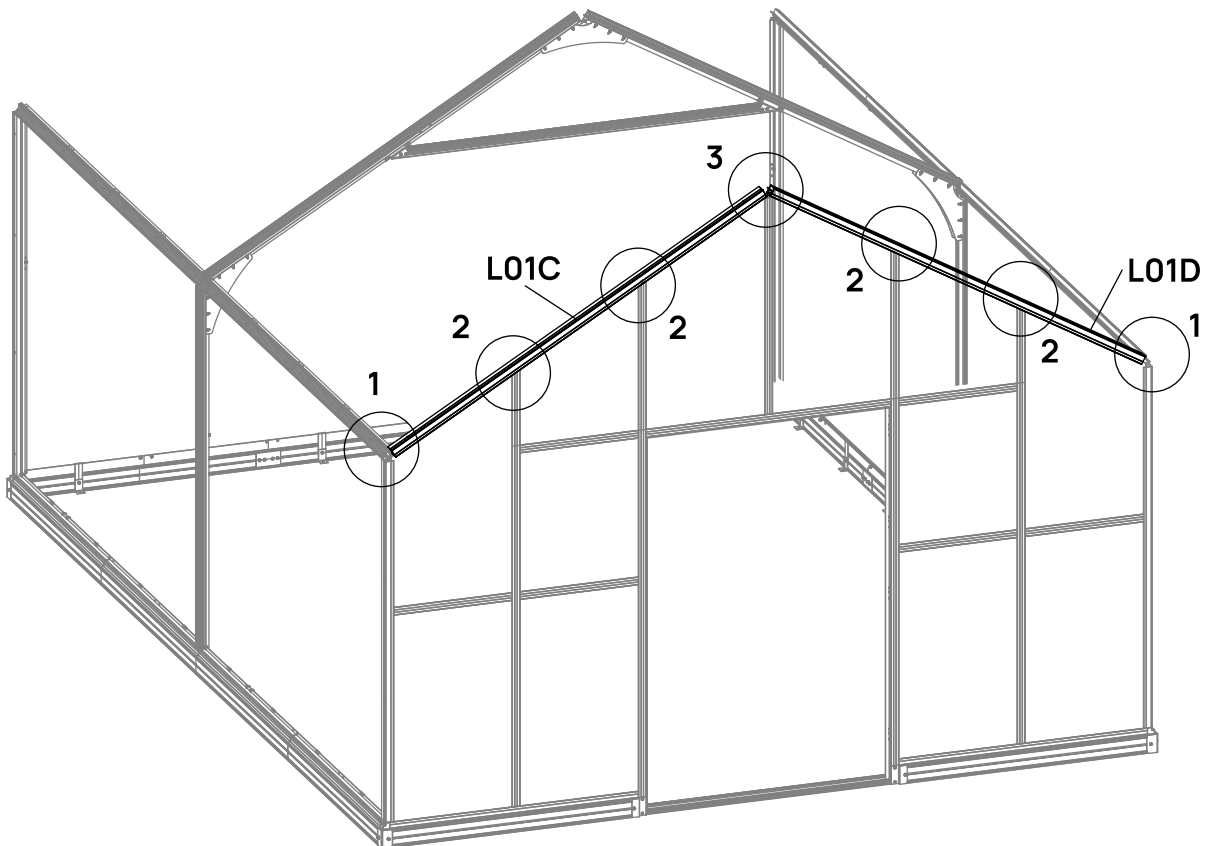
STEP
20

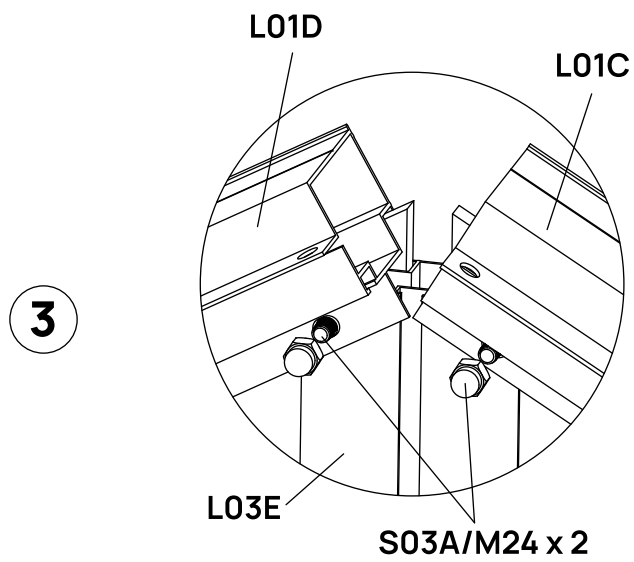
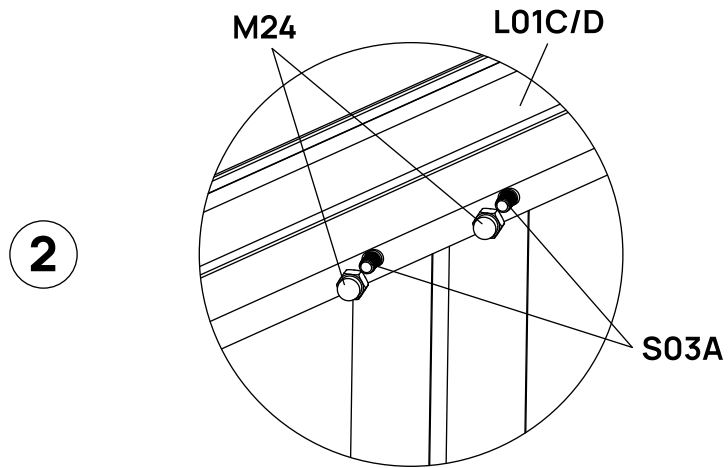
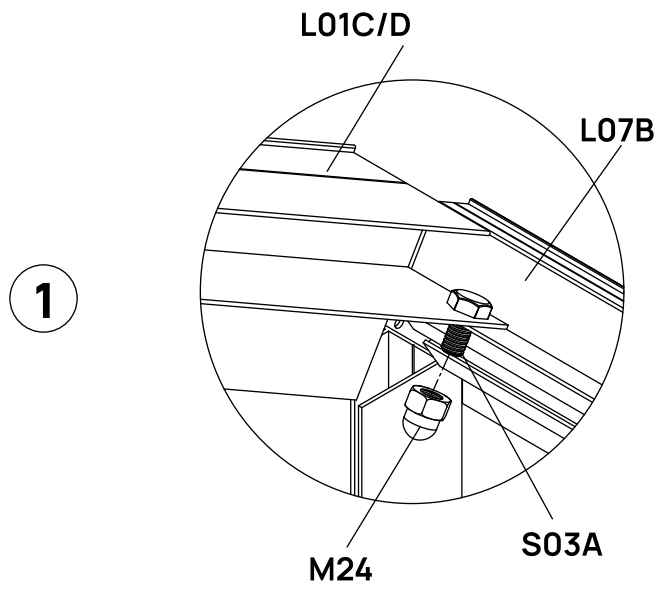
Assemble front gable frames as shown.

BOX	PART	NO	QTY
ALBOX-1		L01C	1
ALBOX-1		L01D	1
ALBOX-3		S03A M6X10	14
ALBOX-3		M24 M6	12



⚠ Note: Slide one S03A bolt into the groove of L01C and L01D frame for later roof connecting frames assembly.




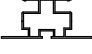
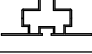
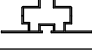
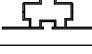




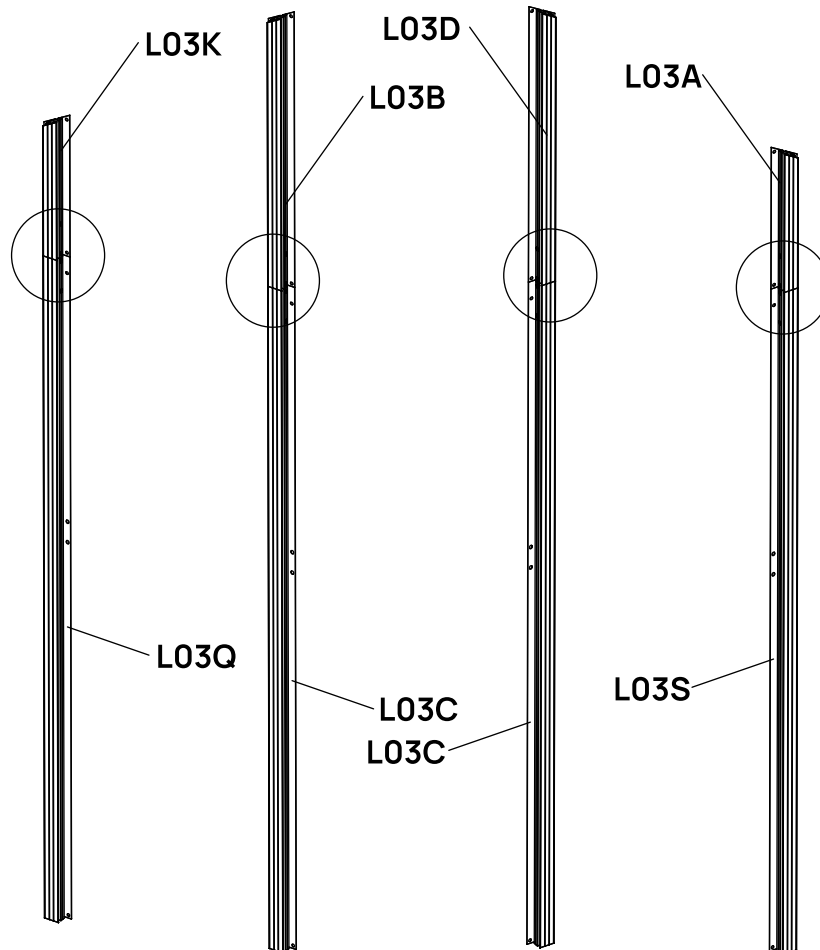
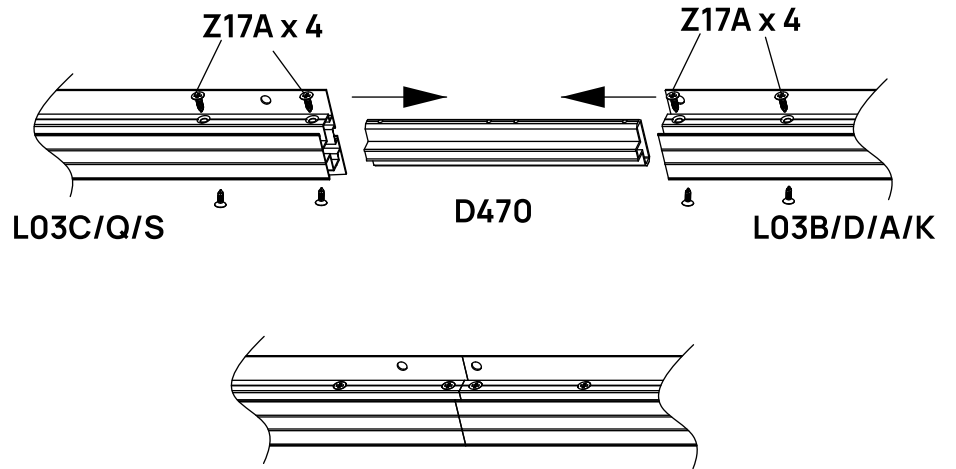


STEP

21

Assemble 4 additional L03 vertical frames as shown.

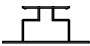
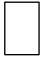

BOX	PART	NO	QTY
ALBOX-3		L03A	1
ALBOX-3		L03B	1
ALBOX-2		L03C	2
ALBOX-3		L03D	1
ALBOX-2		L03S	1
ALBOX-2		L03Q	1
ALBOX-3		L03K	1
ALBOX-3		D470	4
ALBOX-3		Z17A M4.8X16	32

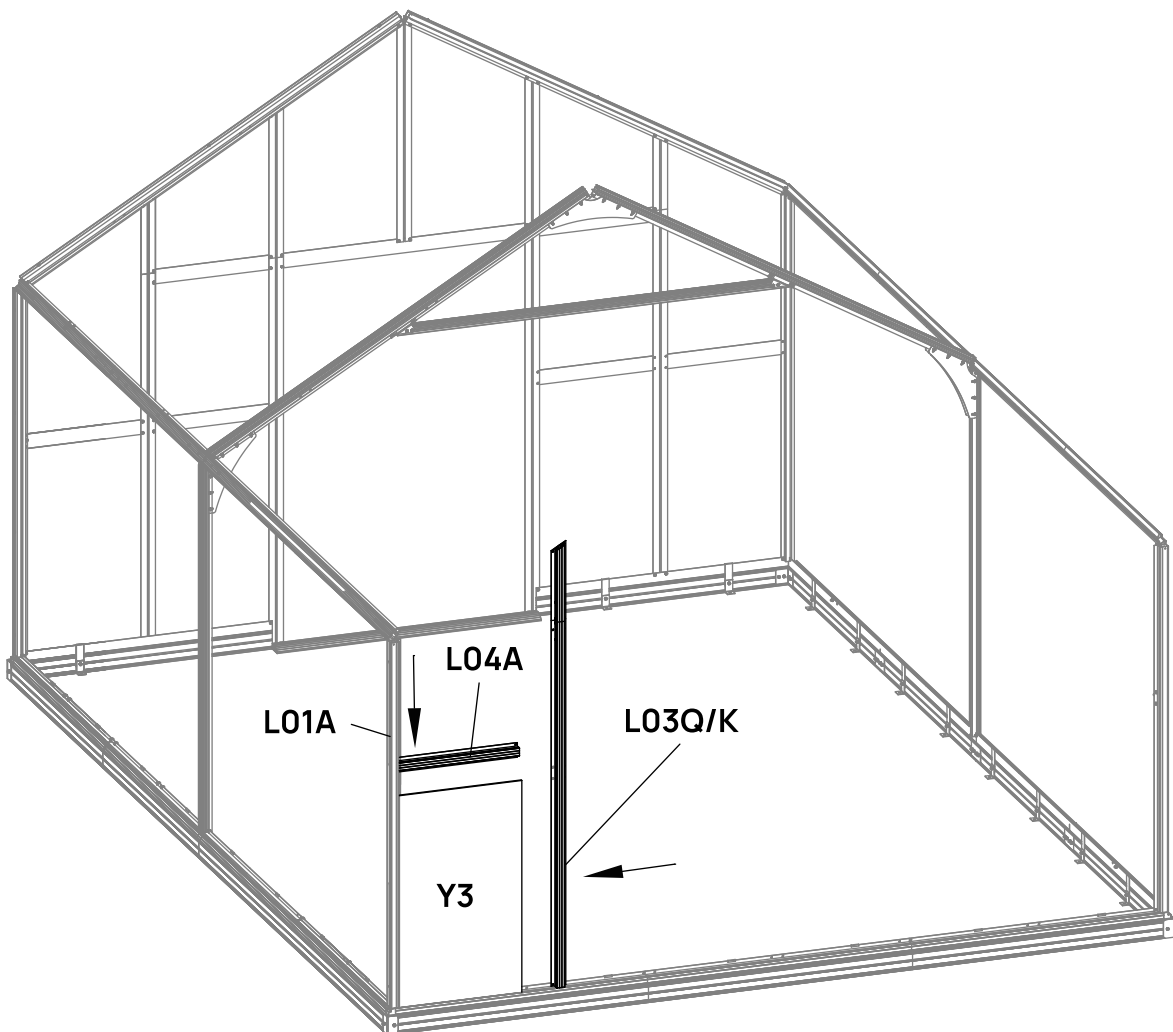


STEP

22






Insert a Y3 panel into the groove of L01A and into the base frame. Then install L03 and L04 pieces in place as shown.

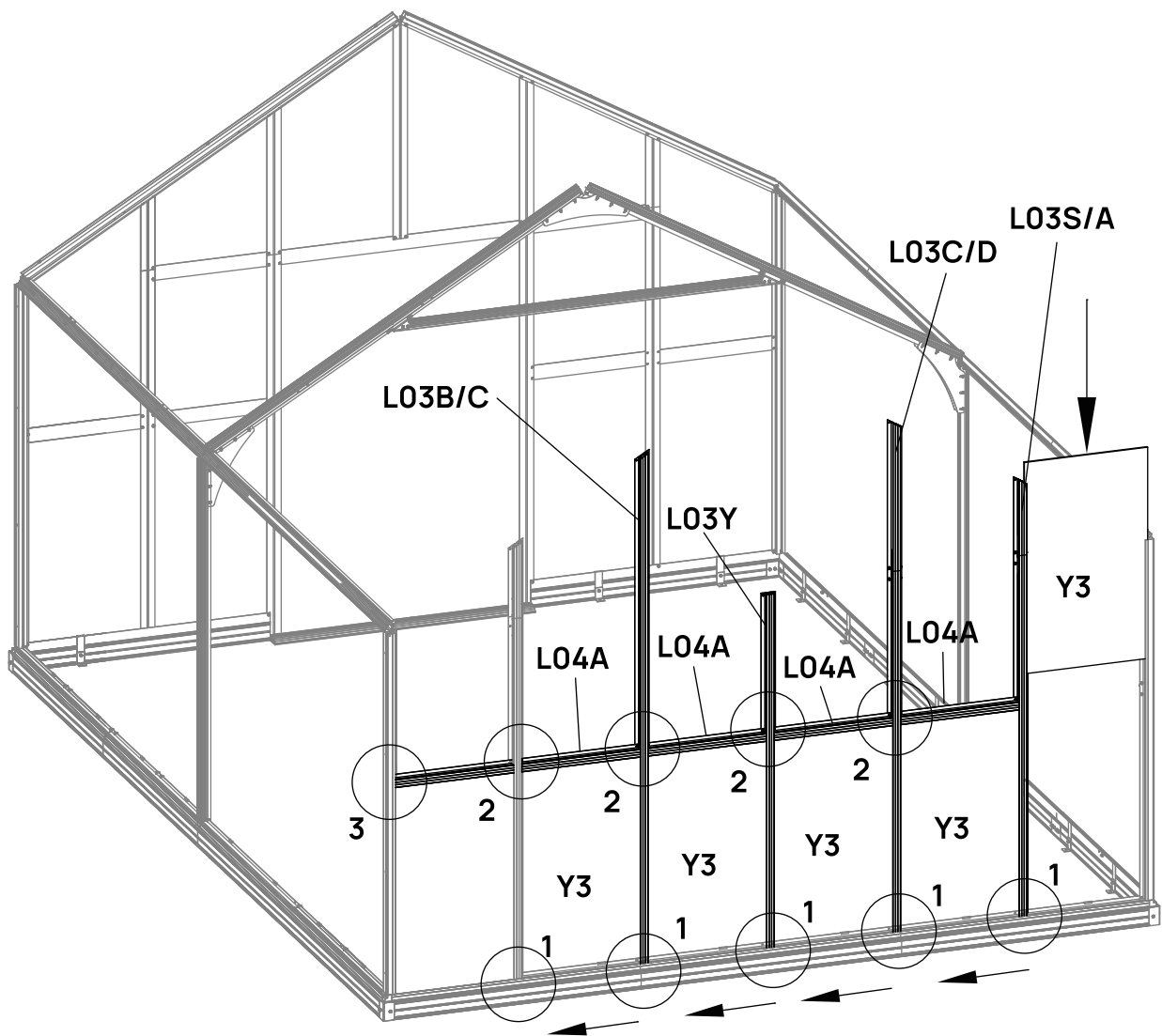
BOX	PART	NO	QTY
ALBOX-3		L04A	1
PCBOX-3		Y3	1
GLBOX-1			
PCBOX-3		H158	1
GLBOX-1		H159	

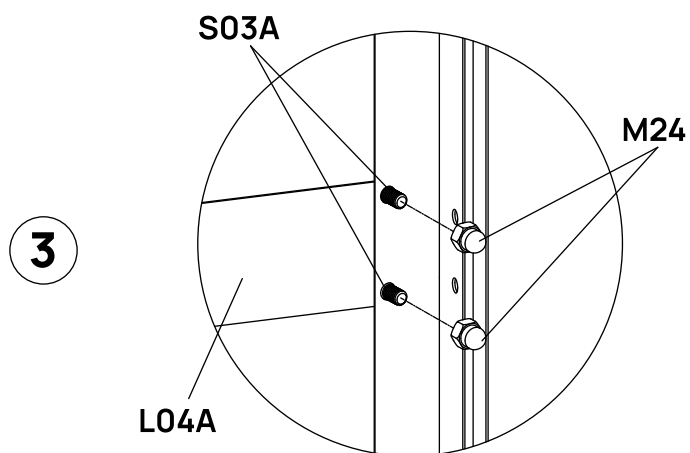
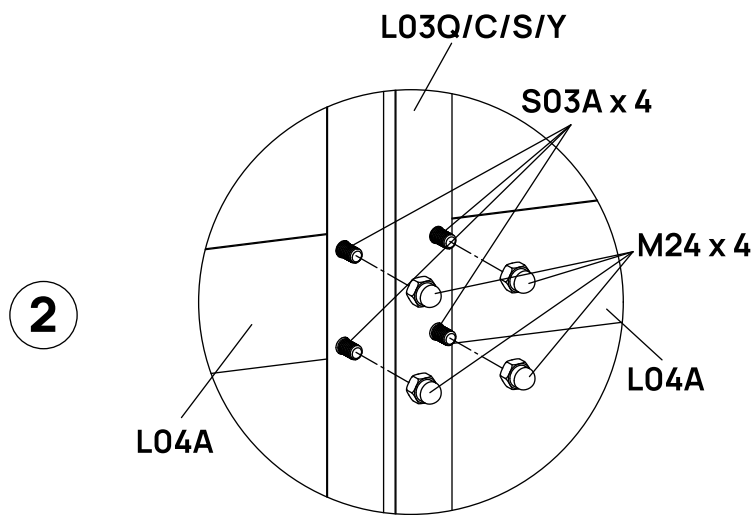
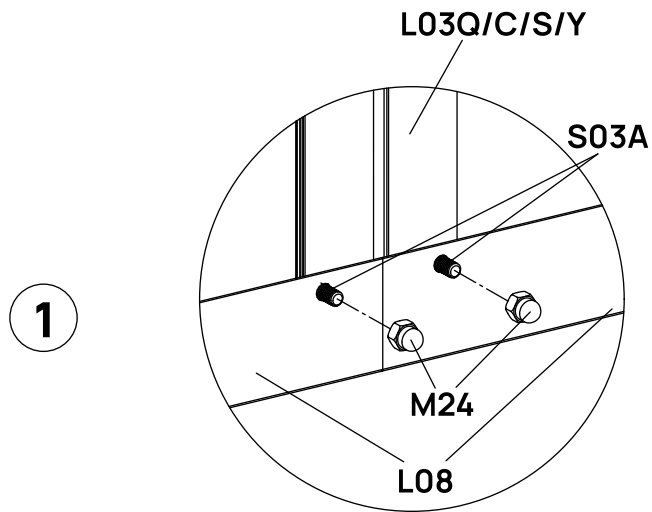


STEP
23

Repeat and install the remaining vertical frames, Y3 panels and horizontal frames as shown.

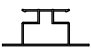
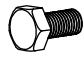

BOX	PART	NO	QTY
ALBOX-3		L04A	4
ALBOX-2		L03Y	1
PCBOX-3 GLBOX-1		Y3	5
ALBOX-3		S03A M6X10	28
ALBOX-3		M24 M6	28

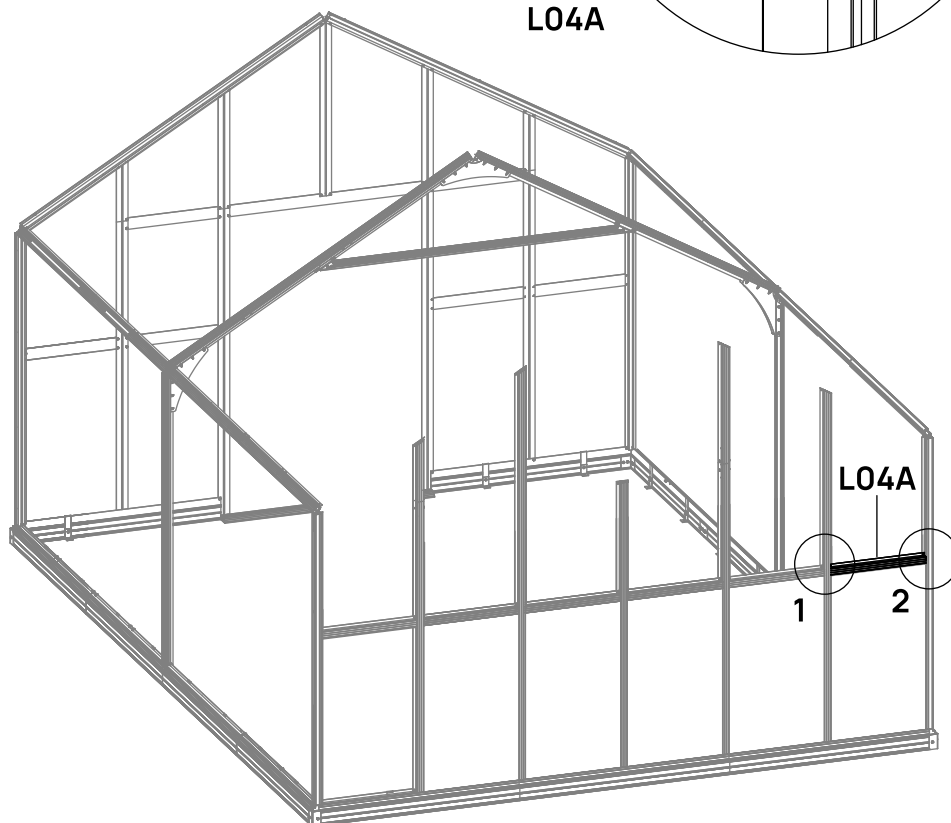
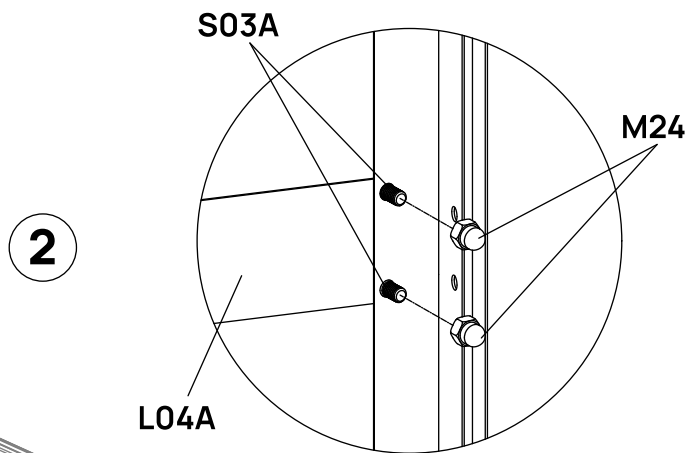
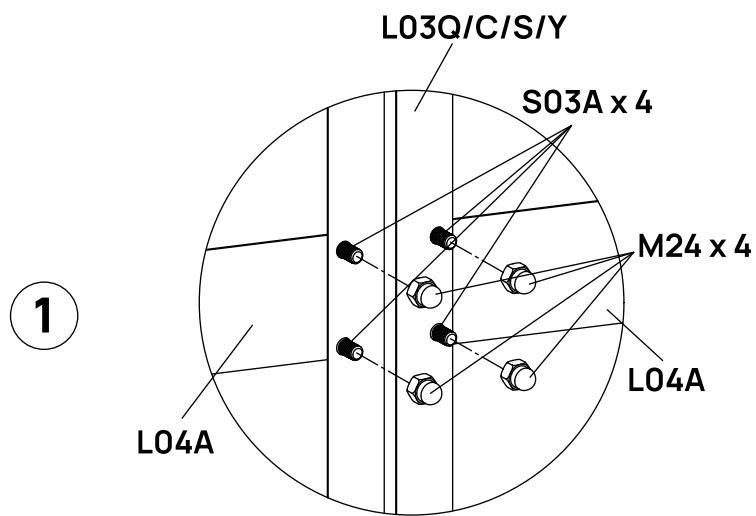




STEP
24



Assemble the L04A connecting frame as shown.

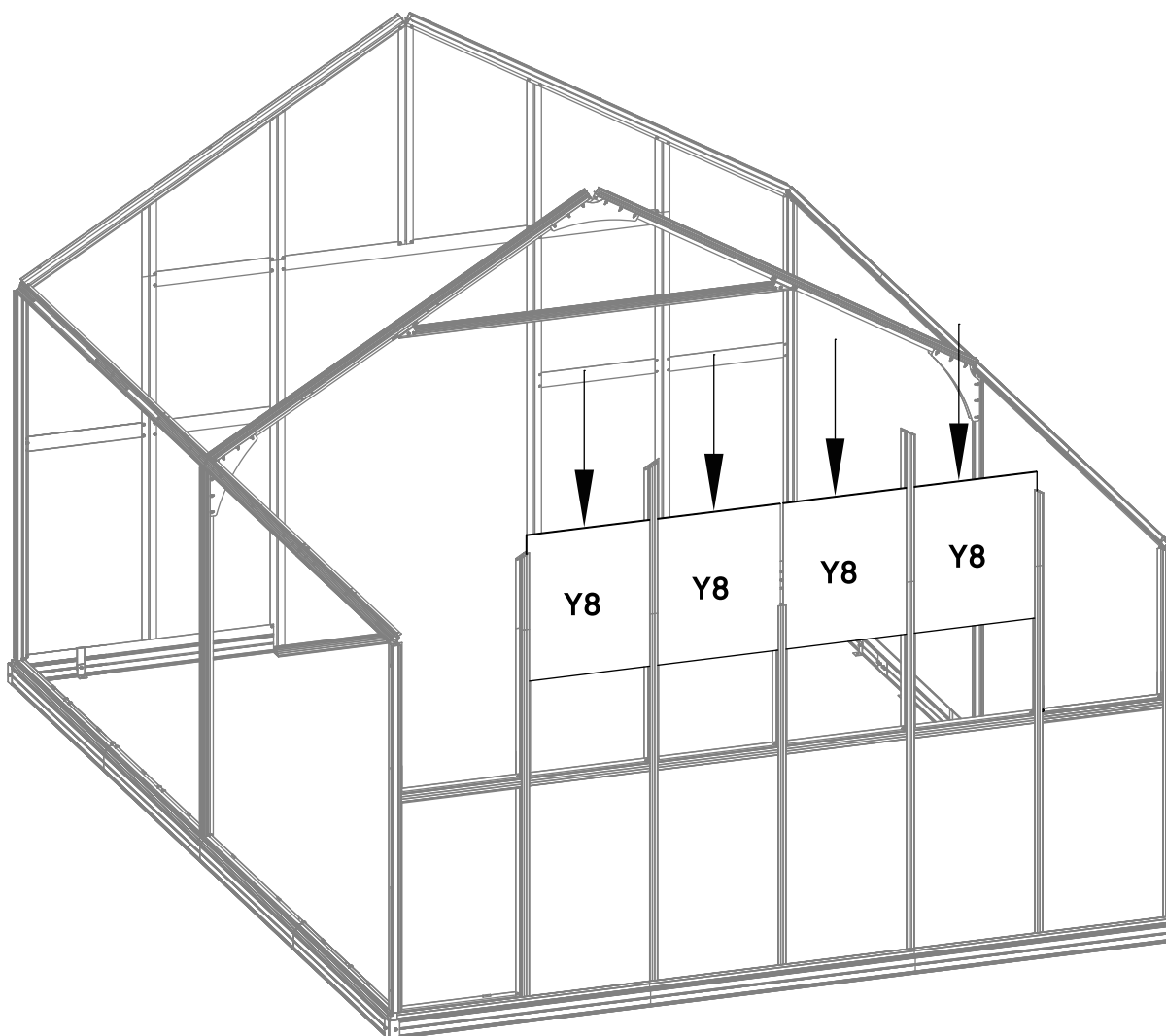
BOX	PART	NO	QTY
ALBOX-3		L04A	1
ALBOX-3		S03A M6X10	6
ALBOX-3		M24 M6	6



STEP
25


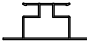



Insert Y8 panels into place as shown.

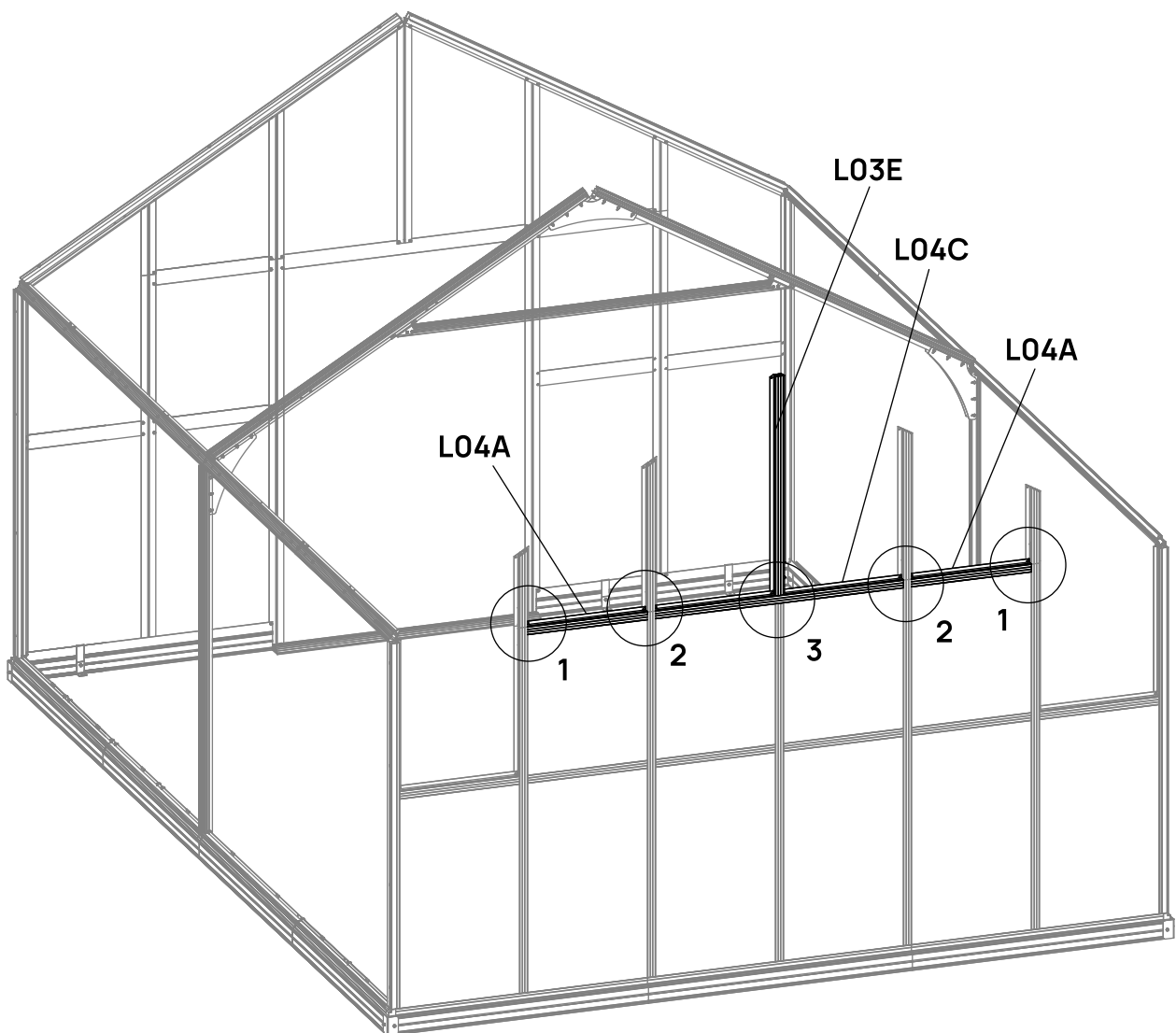
BOX	PART	NO	QTY
PCBOX-3 GLBOX-1		Y8	4
PCBOX-3 GLBOX-1		H158 H159	1

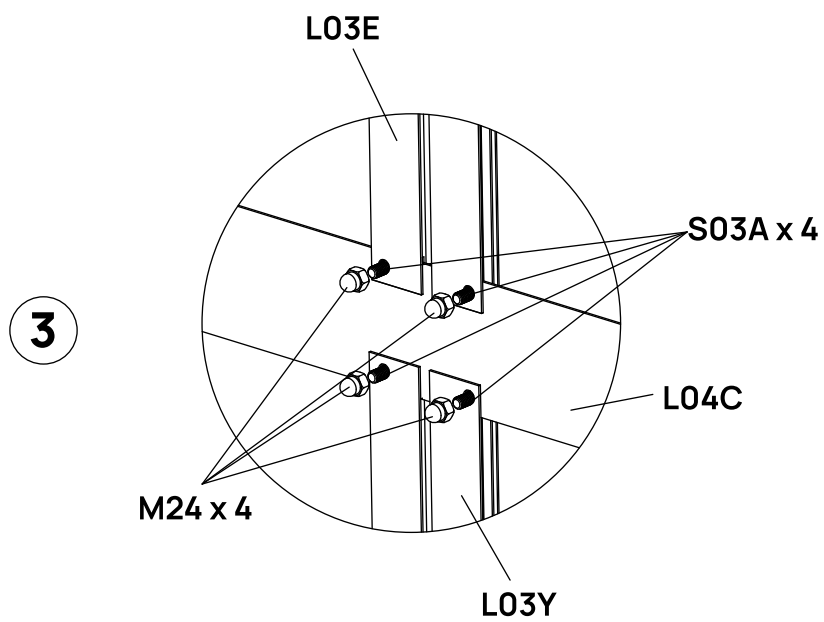
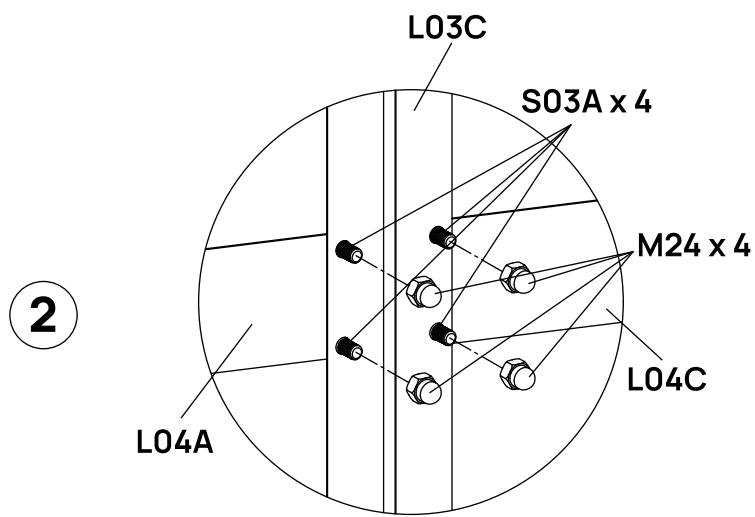
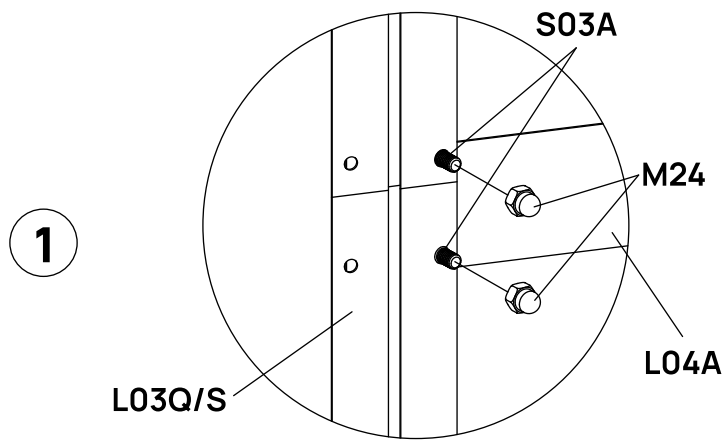


STEP
26

Assemble L03E, L04A and L04C frames as shown.

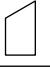






BOX	PART	NO	QTY
ALBOX-4		L03E	1
ALBOX-3		L04A	2
ALBOX-4		L04C	1
ALBOX-3		S03A	16
		M6X10	
ALBOX-3		M24	16
		M6	

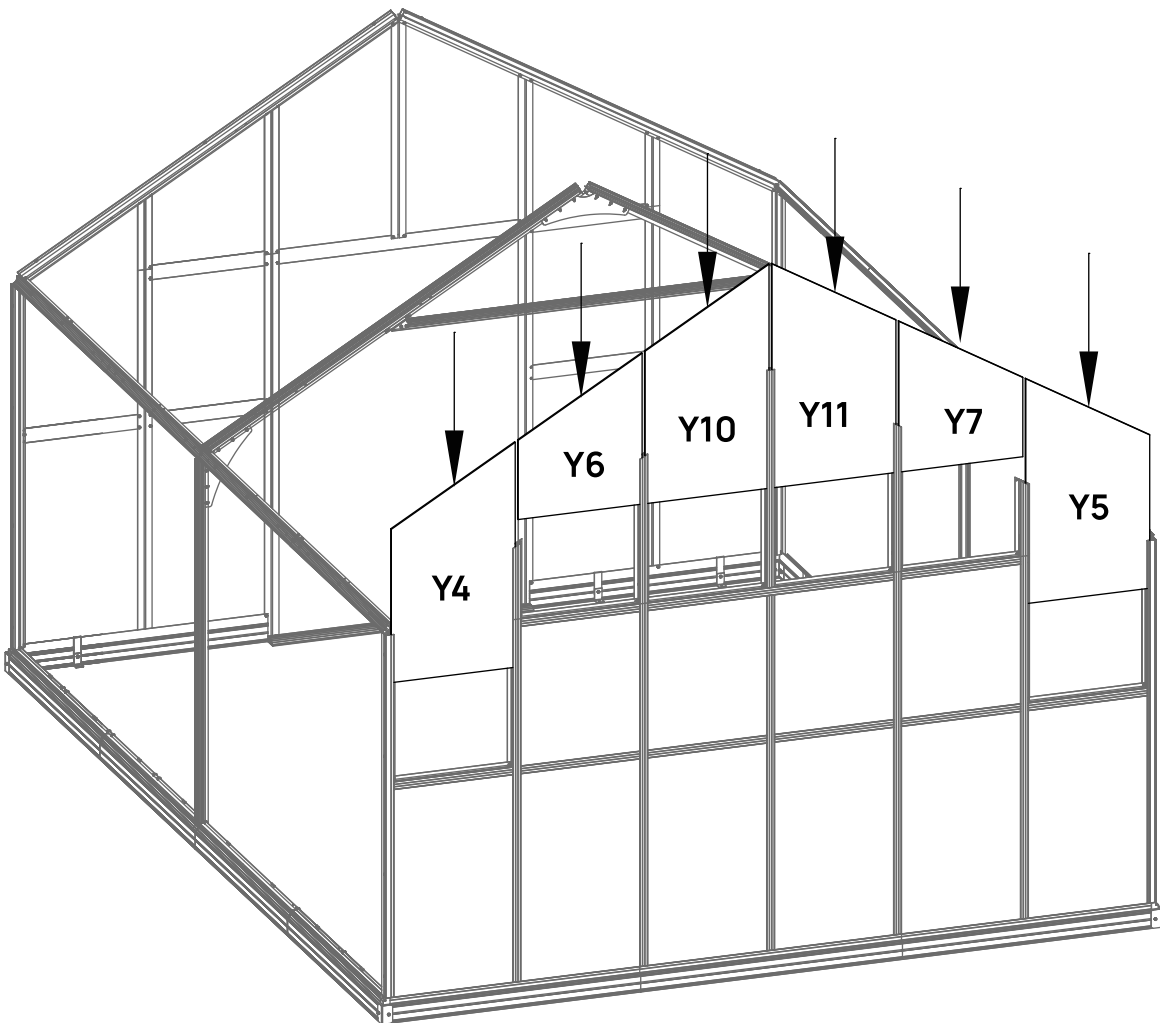




STEP
27

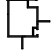
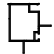
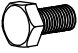

Insert the back gable panels as shown.

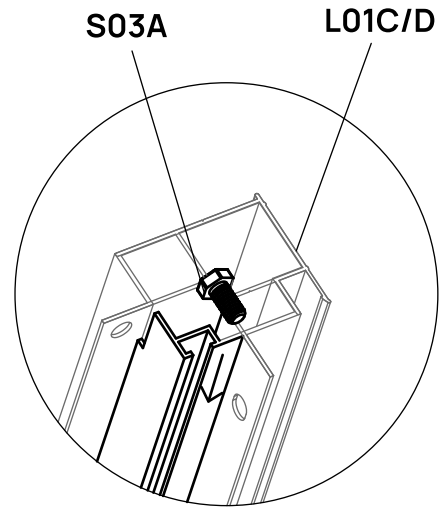
BOX	PART	NO	QTY
PCBOX-3		Y4	1
GLBOX-1			
PCBOX-3		Y5	1
GLBOX-1			
PCBOX-3		Y6	1
GLBOX-1			
PCBOX-3		Y7	1
GLBOX-1			
PCBOX-3		Y10	1
GLBOX-1			
PCBOX-3		Y11	1
GLBOX-1			
PCBOX-3		H158	1
GLBOX-1		H159	



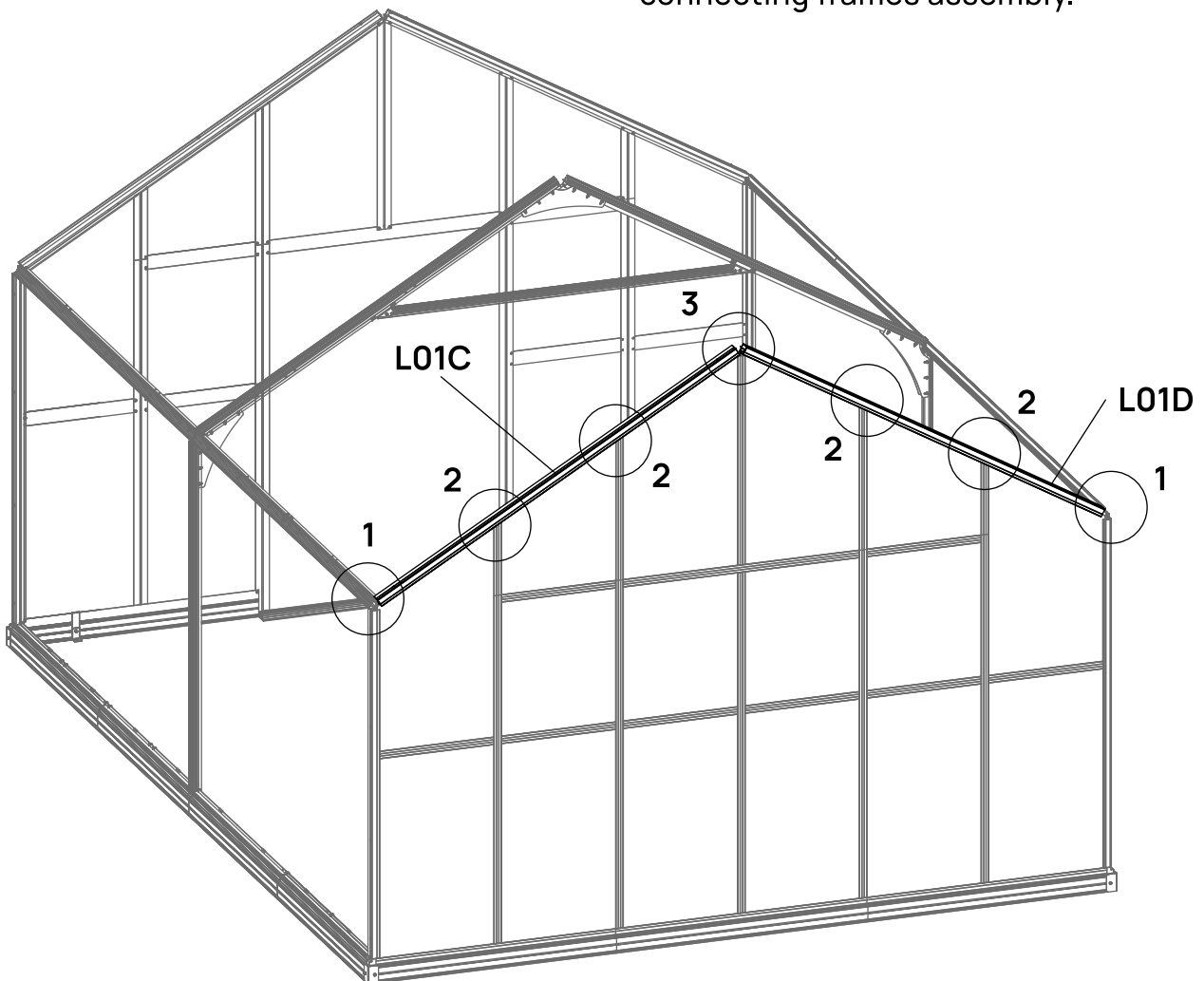
STEP
28

Assemble back gable frames as shown.

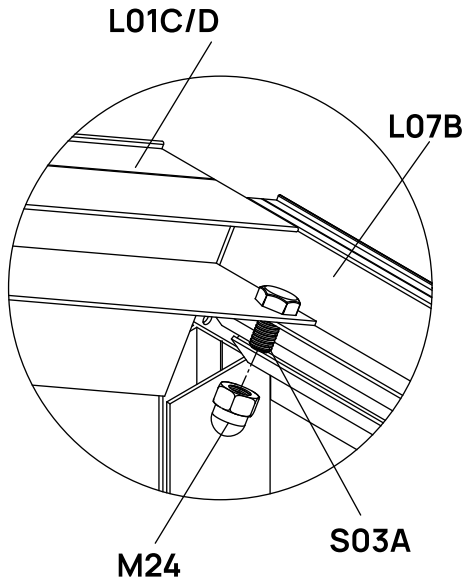
BOX	PART	NO	QTY
ALBOX-1		L01C	1
ALBOX-1		L01D	1
ALBOX-3		S03A M6X10	14
ALBOX-3		M24 M6	12



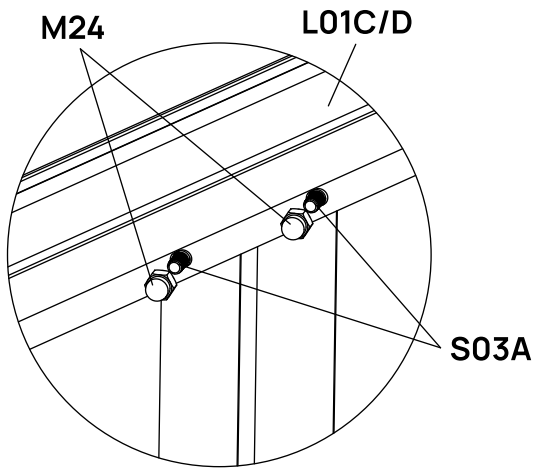
⚠ Note: Slide one S03A bolt into the groove of L01C and L01D frame for later roof connecting frames assembly.



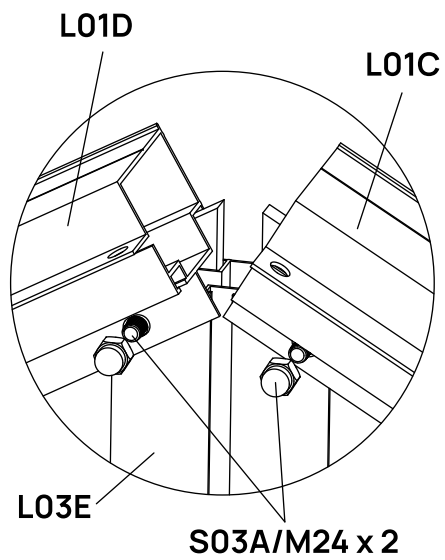
1



2

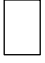



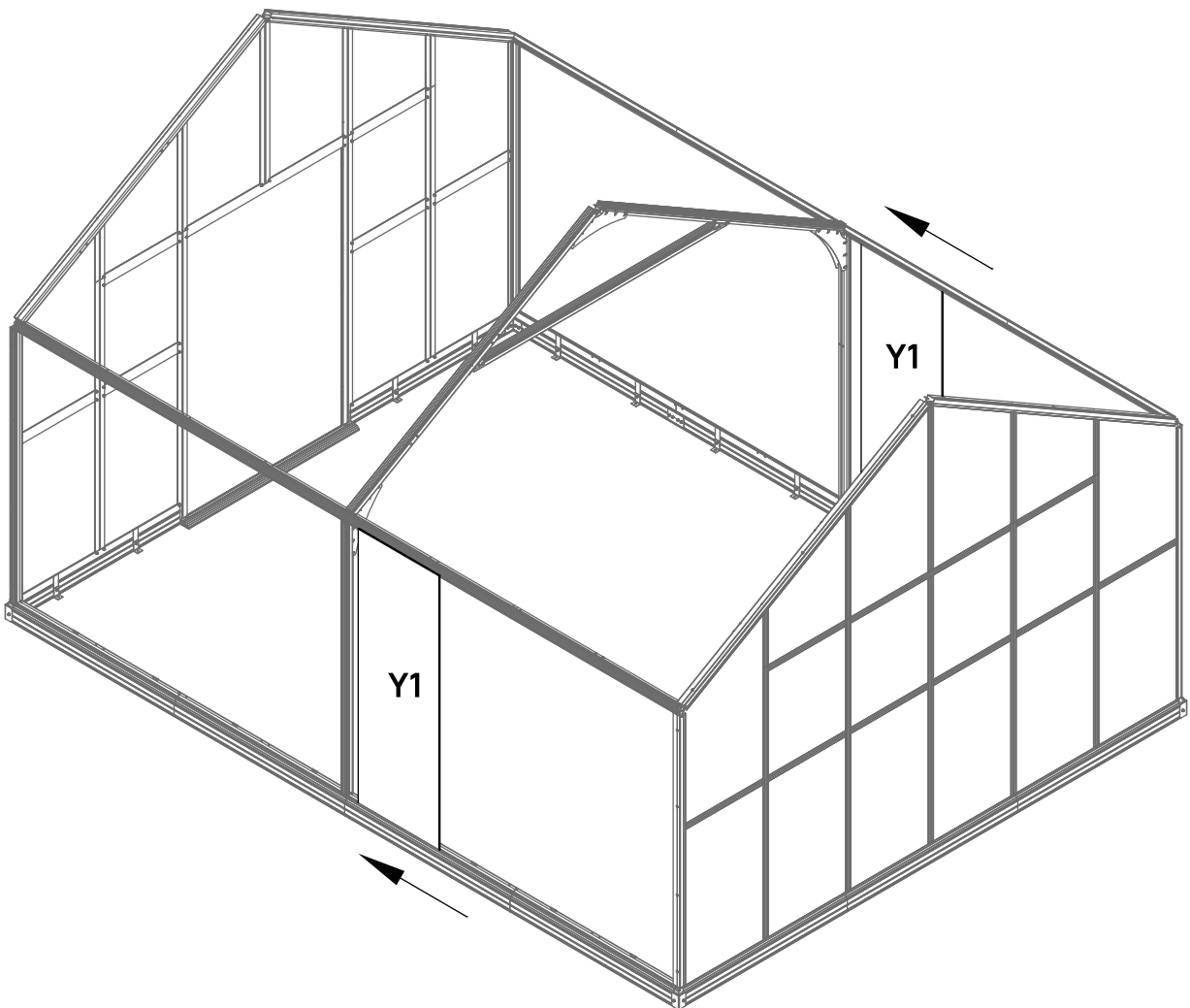
3



STEP
29

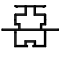
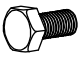
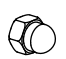
Slide Y1 panels into place as shown.

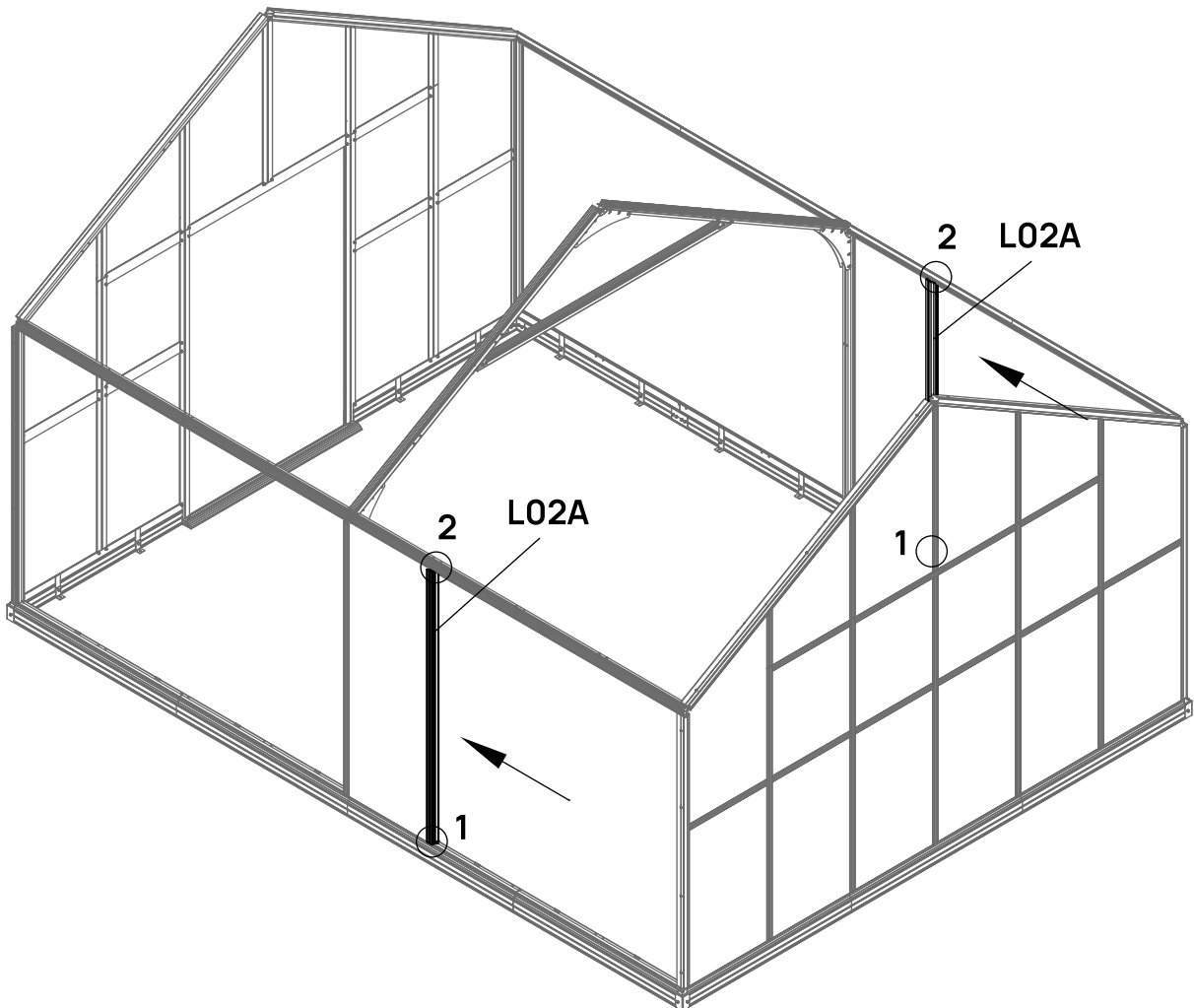
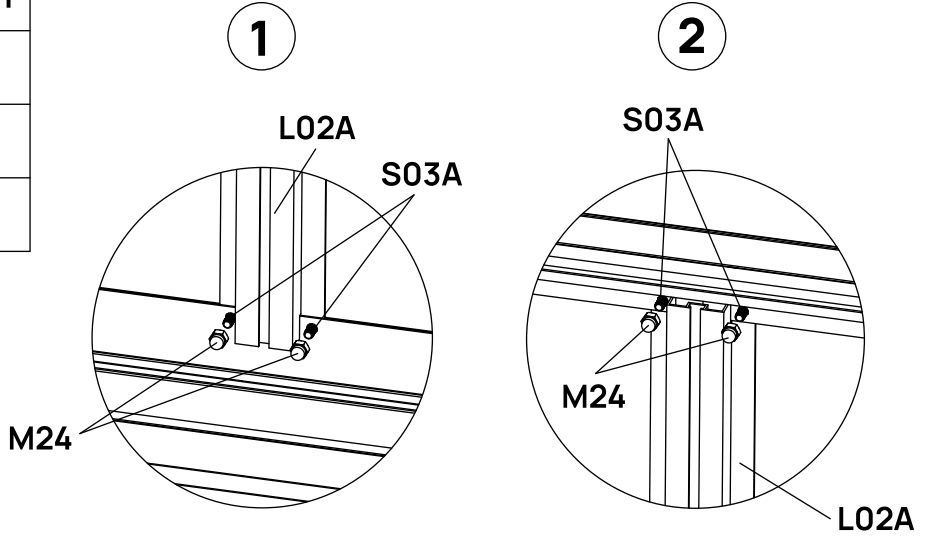
BOX	PART	NO	QTY
PCBOX-2		Y1	2
GLBOX-1			
PCBOX-3		H158	1
GLBOX-1		H159	



STEP
30

Assemble L02A vertical frames as shown, secure with S03A bolts and M24 nuts.

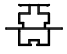
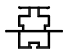
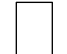
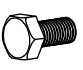
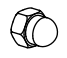


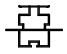
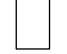
BOX	PART	NO	QTY
ALBOX-2		L02A	2
ALBOX-3		S03A M6X10	8
ALBOX-3		M24 M6	8

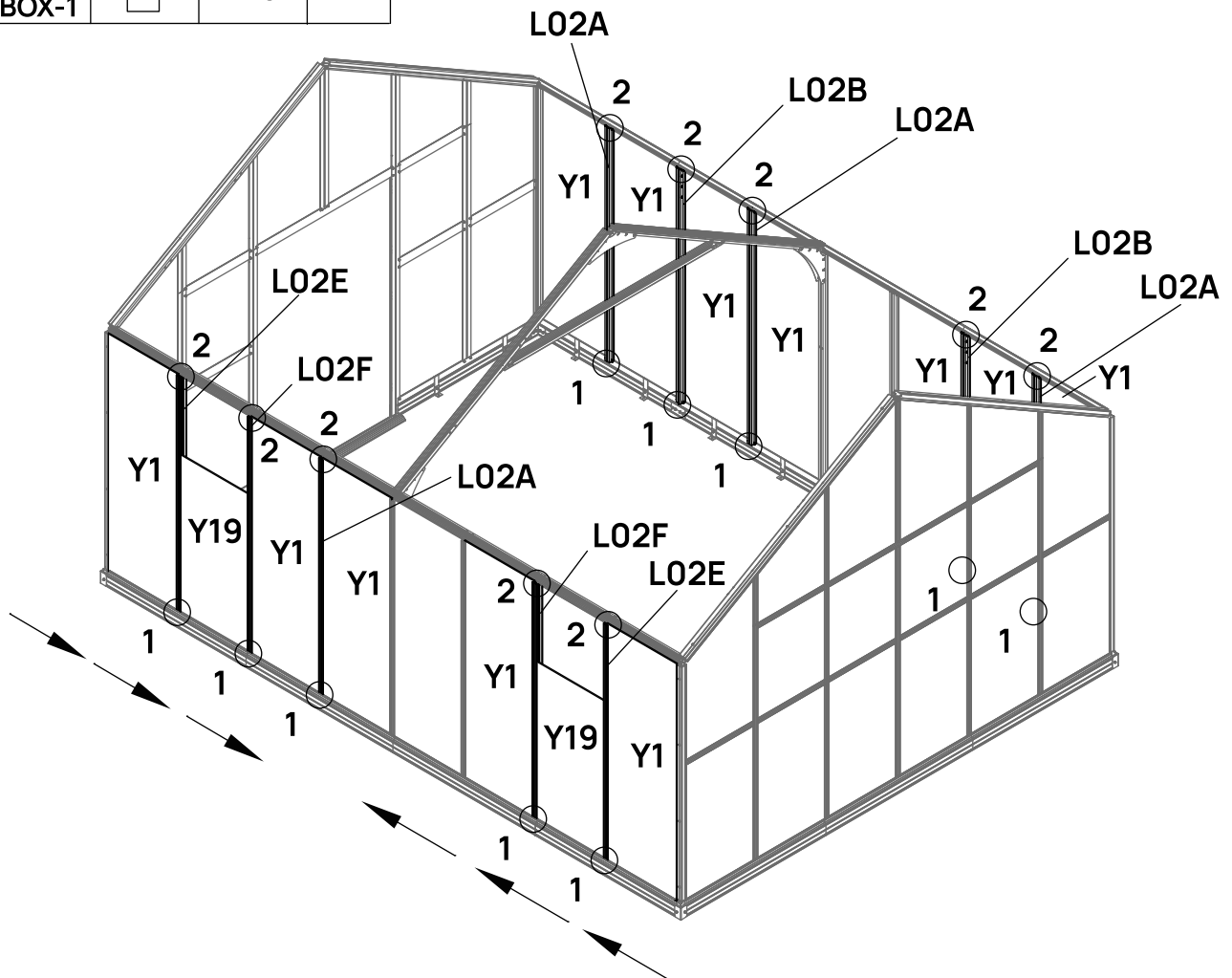


STEP
31

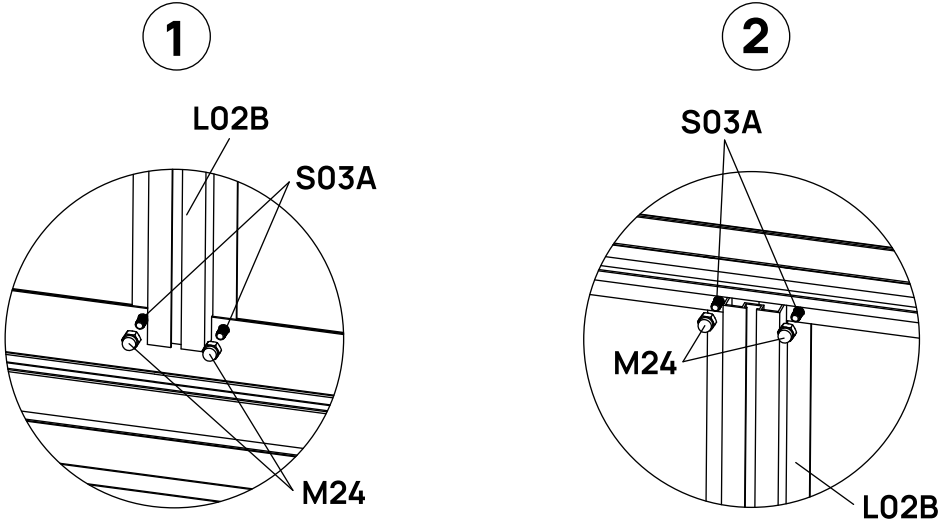
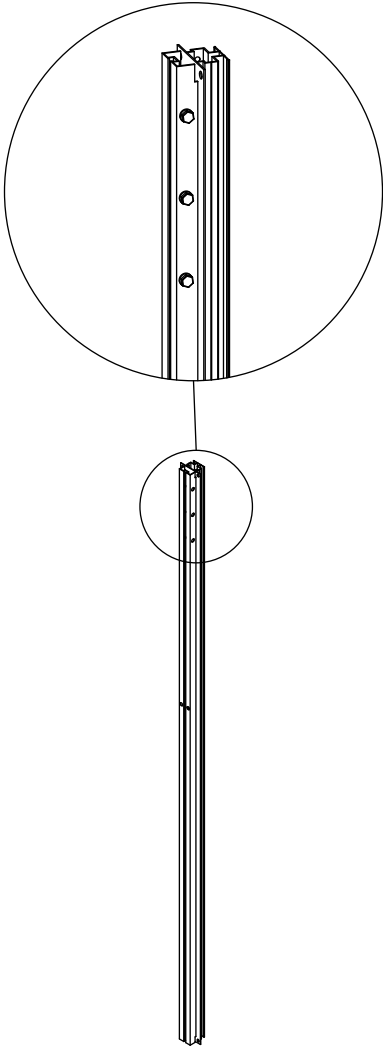
Assemble the rest of L02A/B/F/E frames and panels as shown.

Note: The positions of L02E, L02F frames and the Y19 panel are where the louvered windows will be installed.

BOX	PART	NO	QTY
ALBOX-2		L02A	4
ALBOX-2		L02B	2
PCBOX-2 GLBOX-1		Y1	12
ALBOX-3		S03A M6X10	40
ALBOX-3		M24 M6	40
PCBOX-3 GLBOX-1		H158 H159	1
ALBOX-2		L02F	2
ALBOX-2		L02E	2
PCBOX-2 GLBOX-1		Y19	2




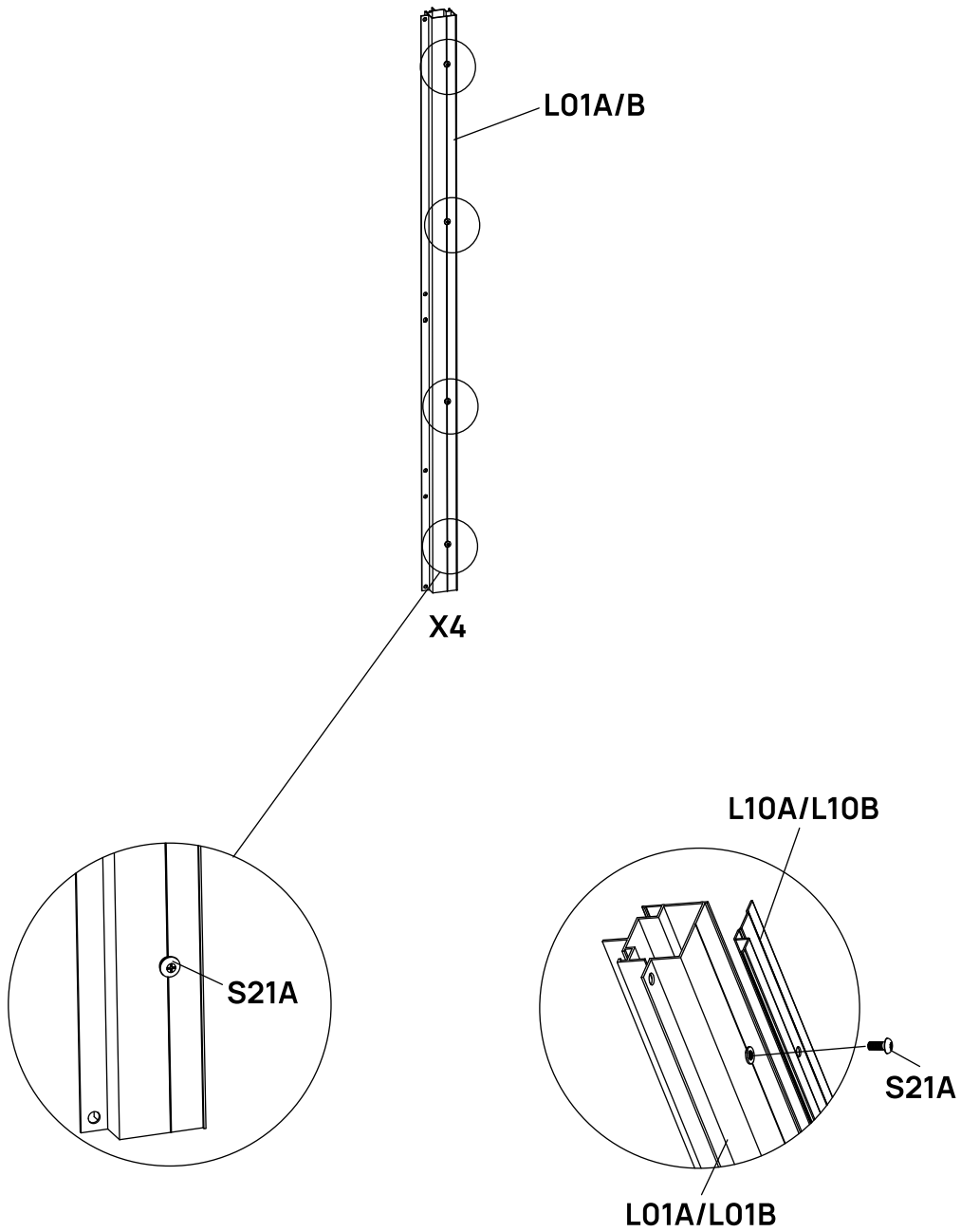
The ends of L02B/F with pre-installed bolts face upward.



STEP
32


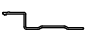
Remove the pre-installed S21A bolts from the four corner L01 frames.

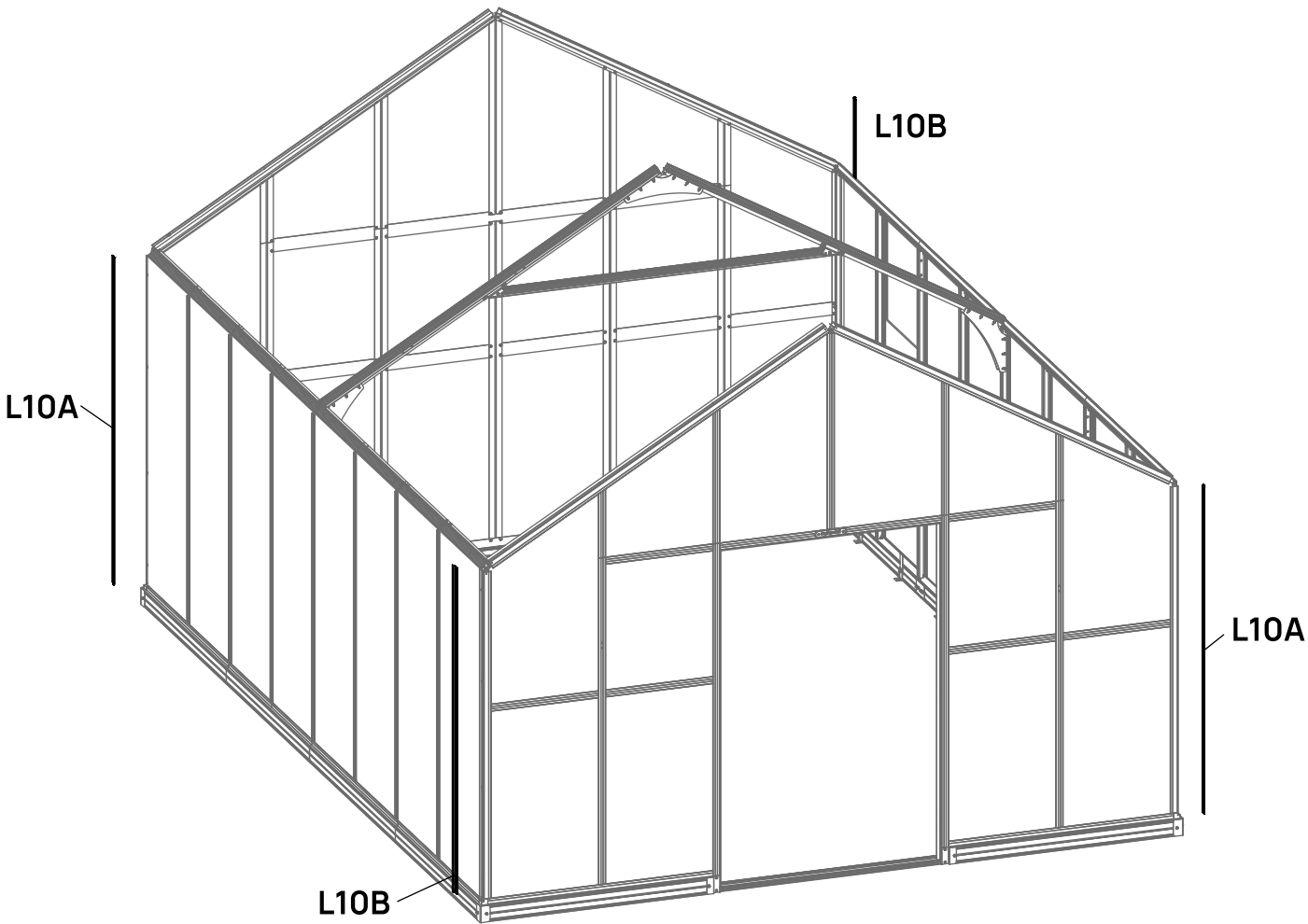
BOX	PART	NO	QTY
Pre-installed		S21A M5X12	16



STEP
33




Attach L10A/B corner cover frames onto L01 frames to secure the outermost PC panels as shown, using the removed S21A bolts.

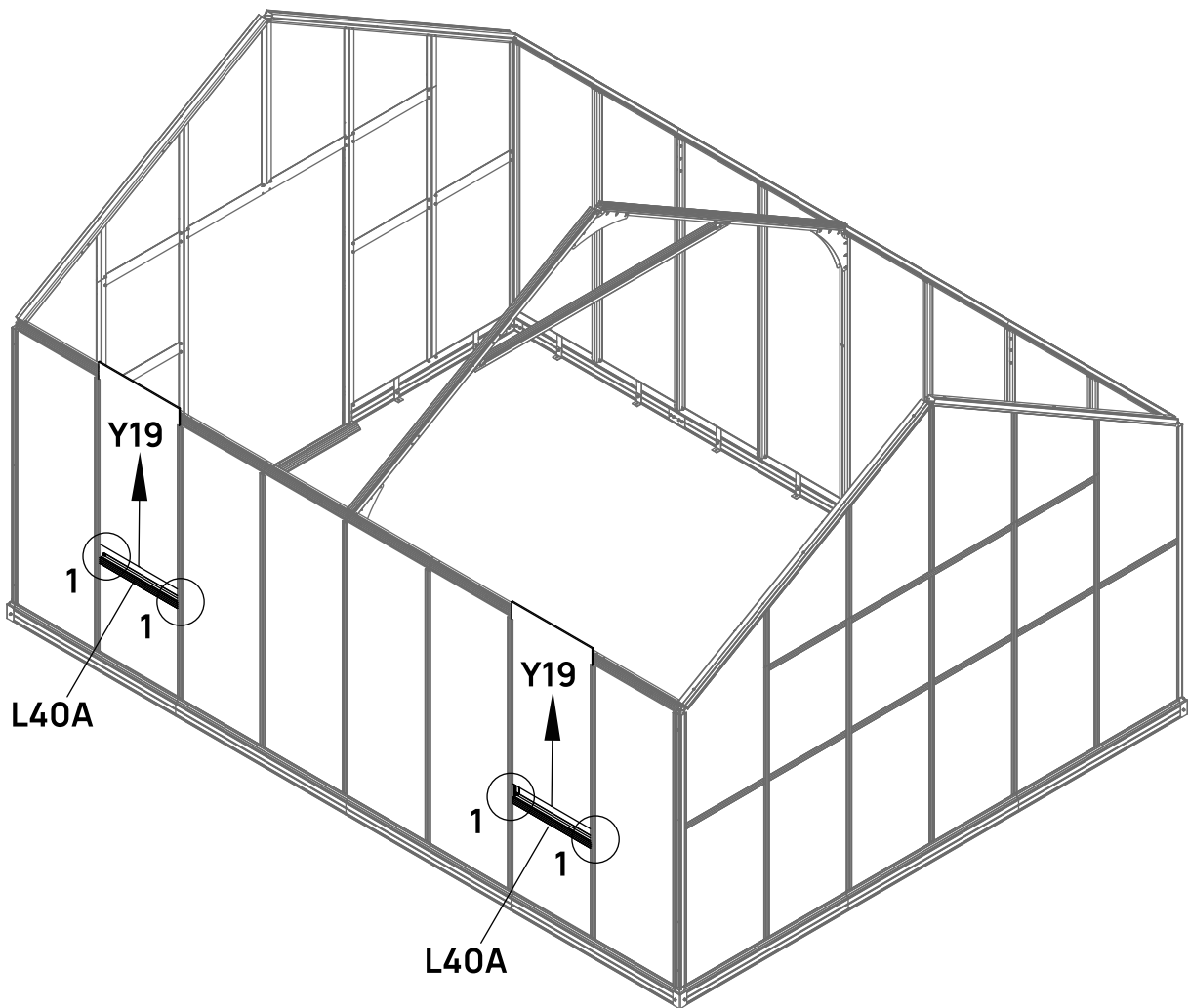
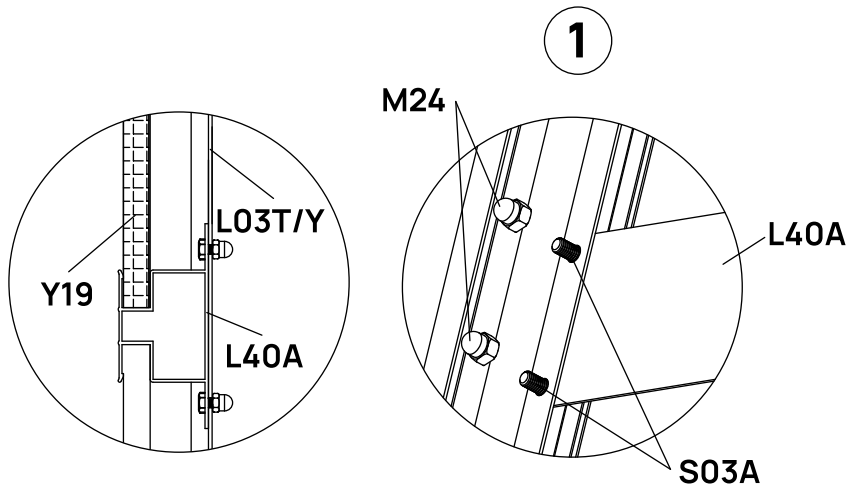
BOX	PART	NO	QTY
ALBOX-2		L10A	2
ALBOX-2		L10B	2



STEP
34

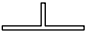
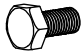

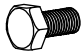
Lift the Y19 panels upward and temporarily secure them. Attach L40A frames as shown, then slide Y19 panels down into the groove of L40A.

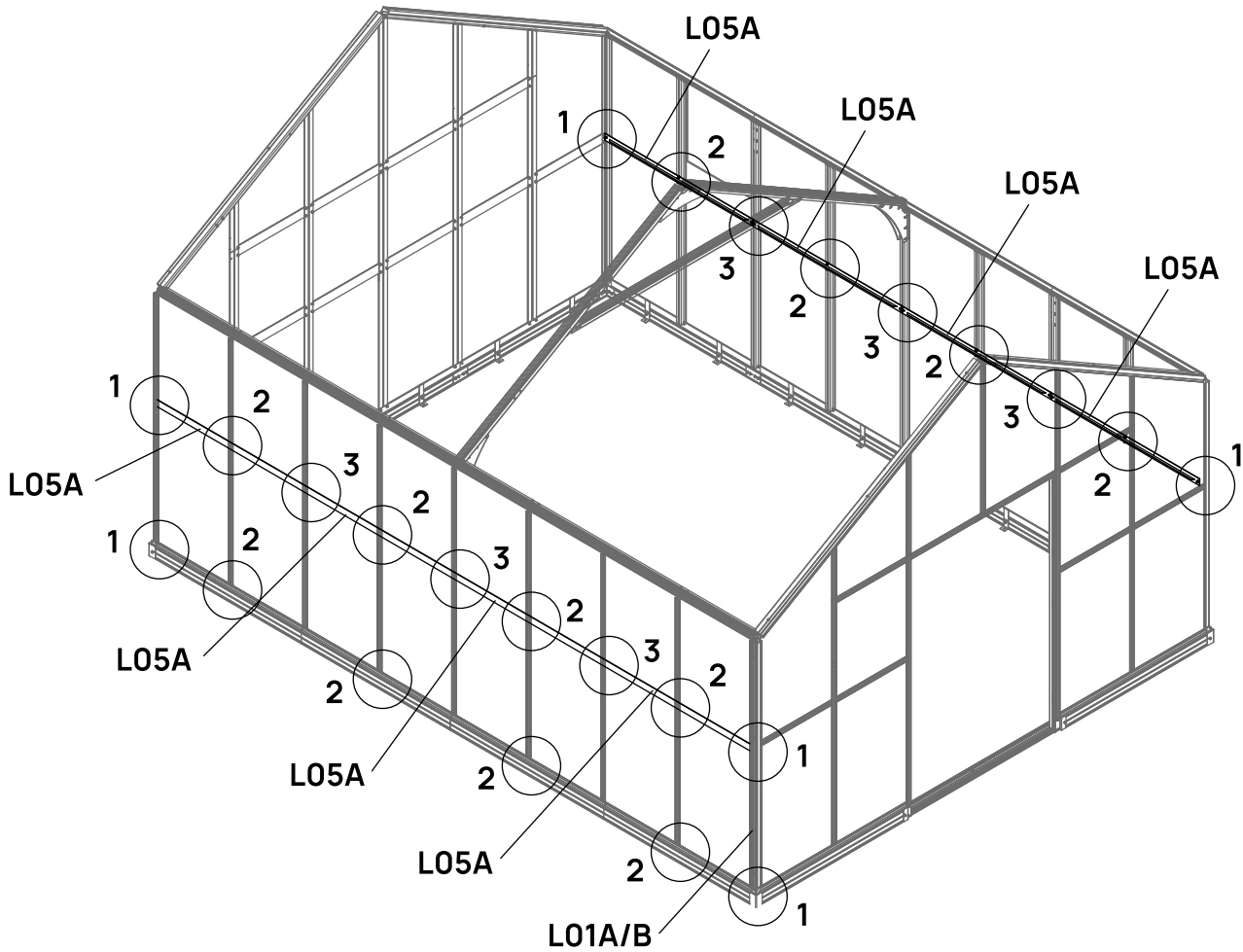
BOX	PART	NO	QTY
PCBOX-1		L40A	2
PCBOX-1		S03A M6X10	8
PCBOX-1		M24 M6	8



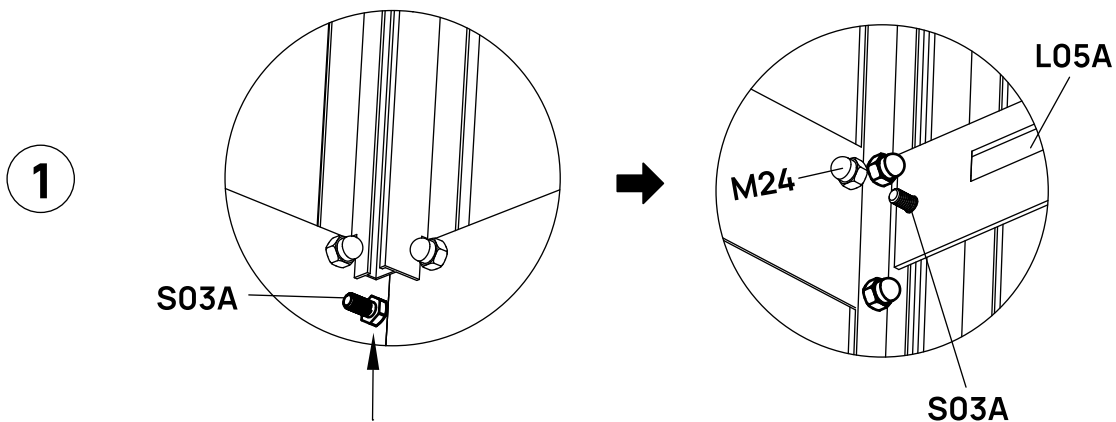
STEP
35

Assemble inner connecting frames as shown.

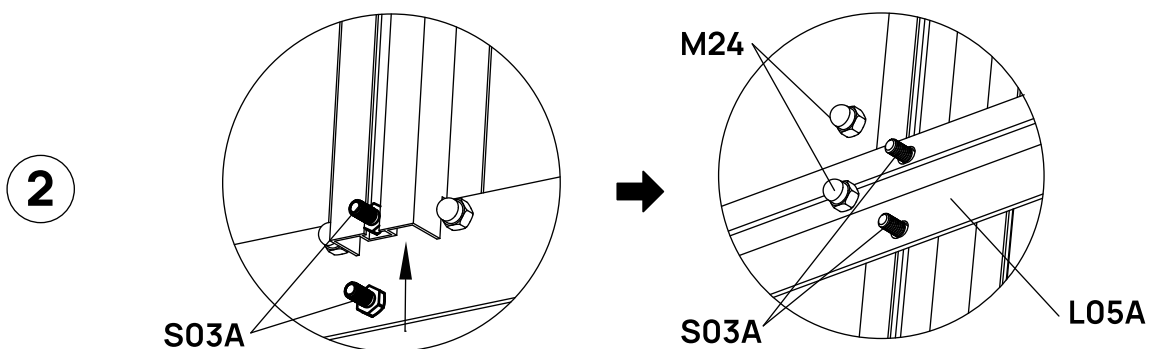
BOX	PART	NO	QTY
ALBOX-4		L05A	8
ALBOX-3		S03A M6X10	20
ALBOX-3		M24 M6	20
Pre-installed		S01A M6X12	12



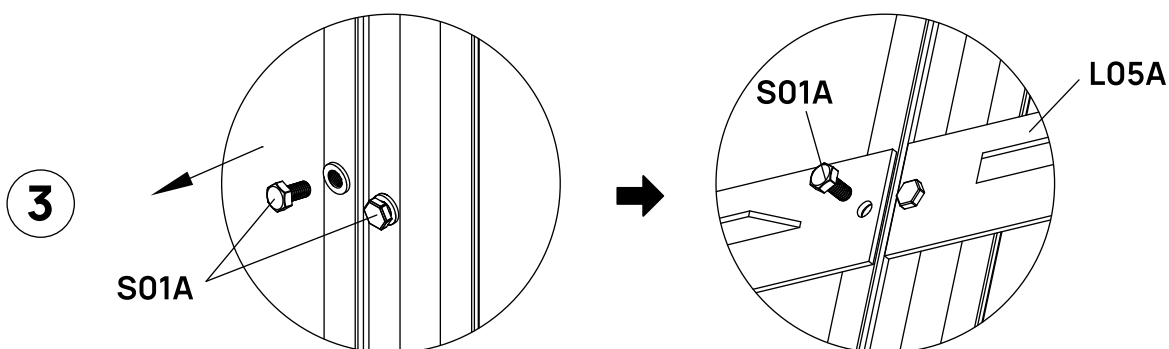
⚠ Note: Slide one S03A bolt into the groove of each L01 corner frame from bottom, then secure the L05A frames with them.



⚠ Note: Slide two S03A bolts into the groove of each L02 middle frame from bottom, then secure the L05A frames with them.








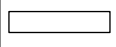


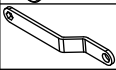
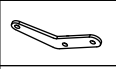


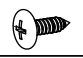







⚠ Note: Remove and use the pre-installed S01A bolts.

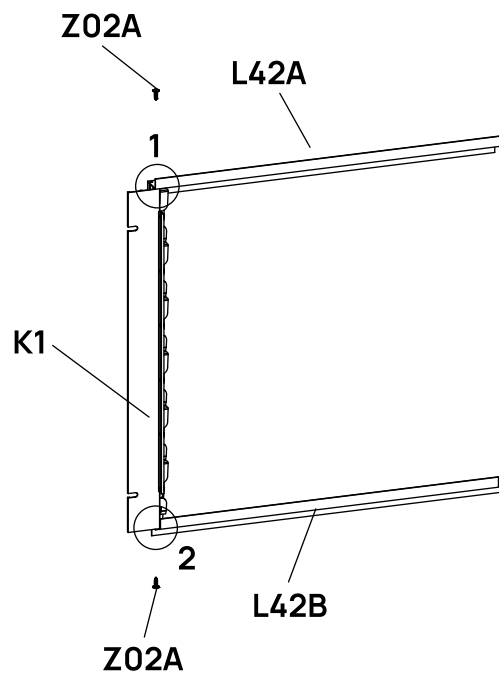


Louvered Window Assembly

STEP 01

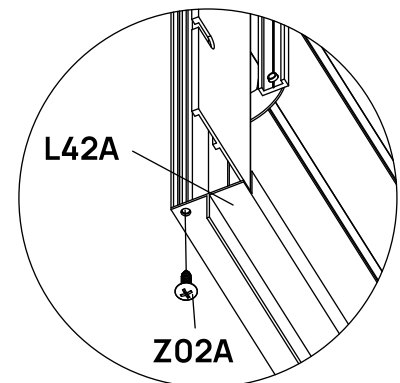
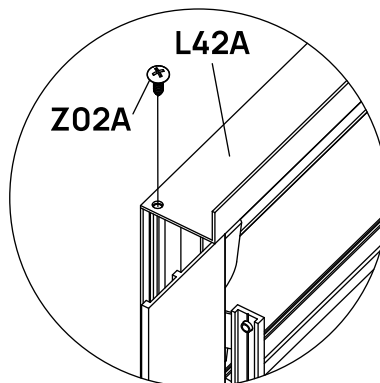
Assemble the L42A and L42B frames to the K1 control frame as shown, and secure with Z02A screws.

BOX	PART	NO	QTY
PCBOX-1		K1	2
PCBOX-1		K2	2
PCBOX-1		L42A	2
PCBOX-1		L42B	2
PCBOX-1		L44A	24
PCBOX-1		Y41	12
PCBOX-1		D530	6
PCBOX-1		D532	2
PCBOX-1		D534	2
PCBOX-1		D535	2
PCBOX-1		D536	2
PCBOX-1		H232	6
PCBOX-1		Z02A Ø4X16D	8
PCBOX-1		S101 M5X8	4
PCBOX-1		S103 M5X15	4
PCBOX-1		S92 M4X10	4
PCBOX-1		M30	4
PCBOX-1		M4	4
PCBOX-1		M18	4
PCBOX-1		M5	4



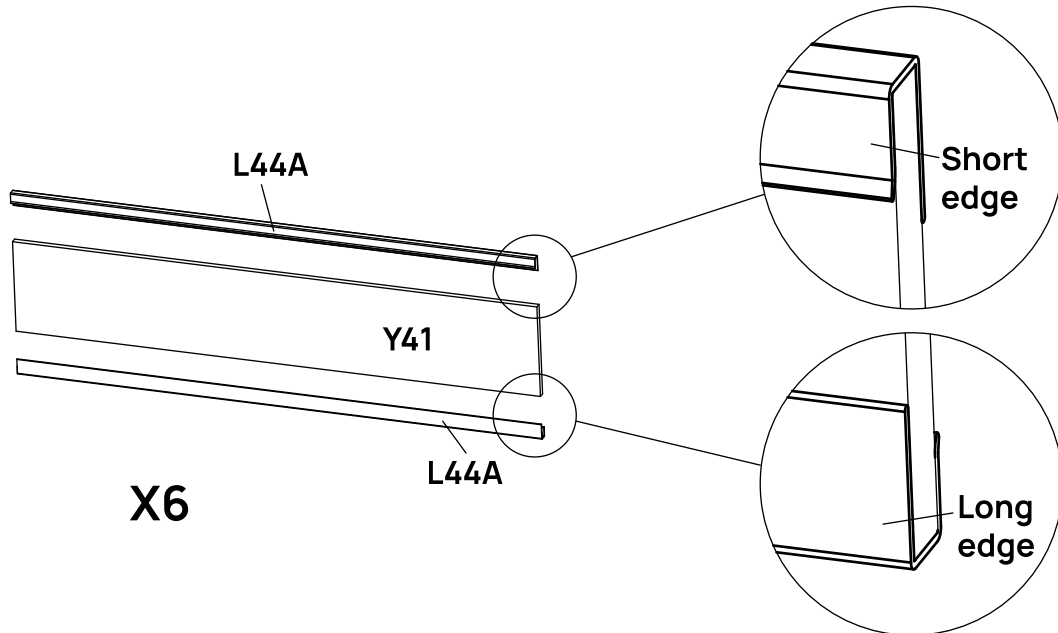
1

2

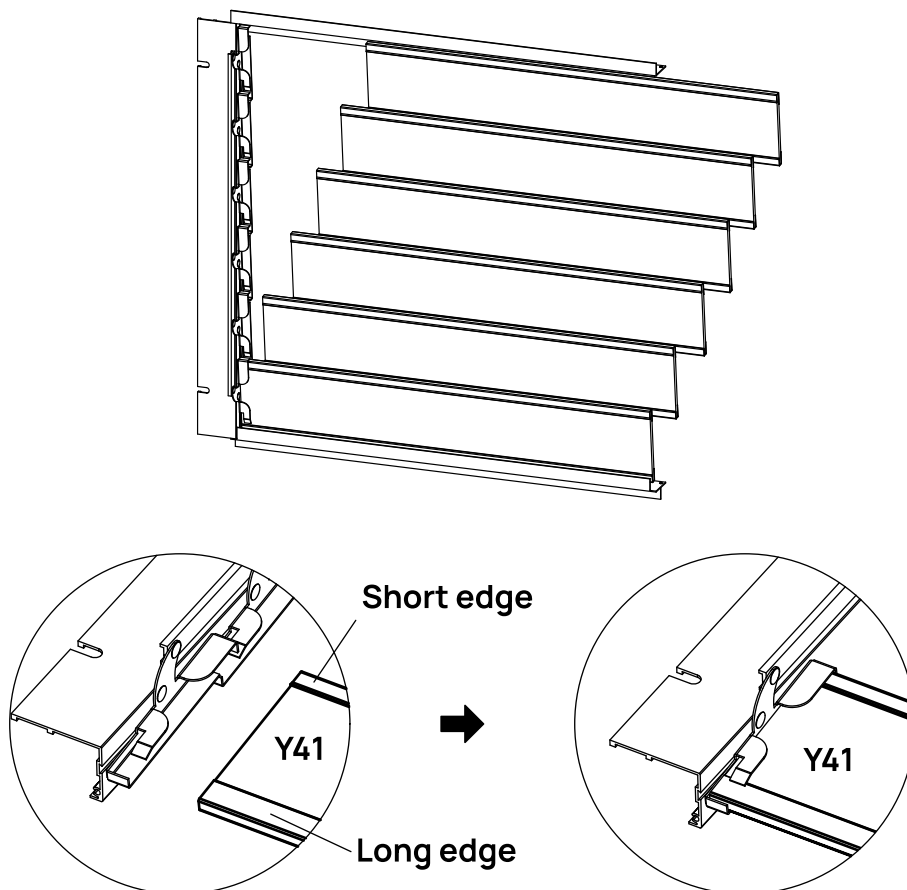


STEP
02

Assemble 6 sets of louver blades as shown.
Ensure the L44A trim profiles are oriented correctly.

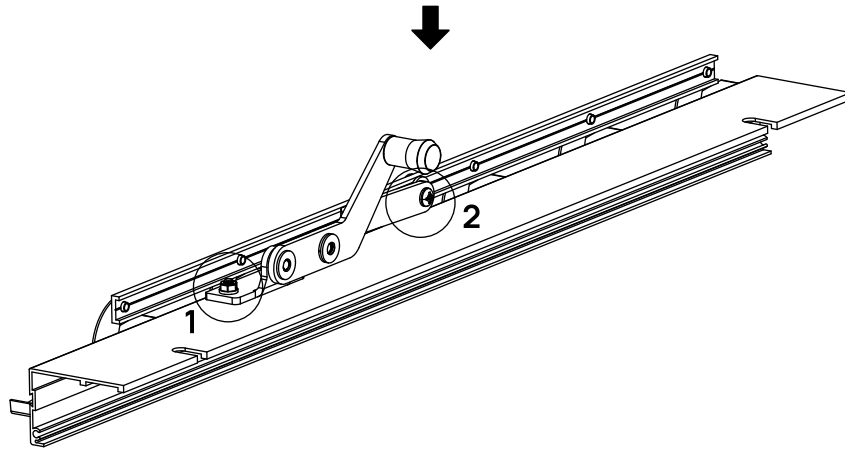
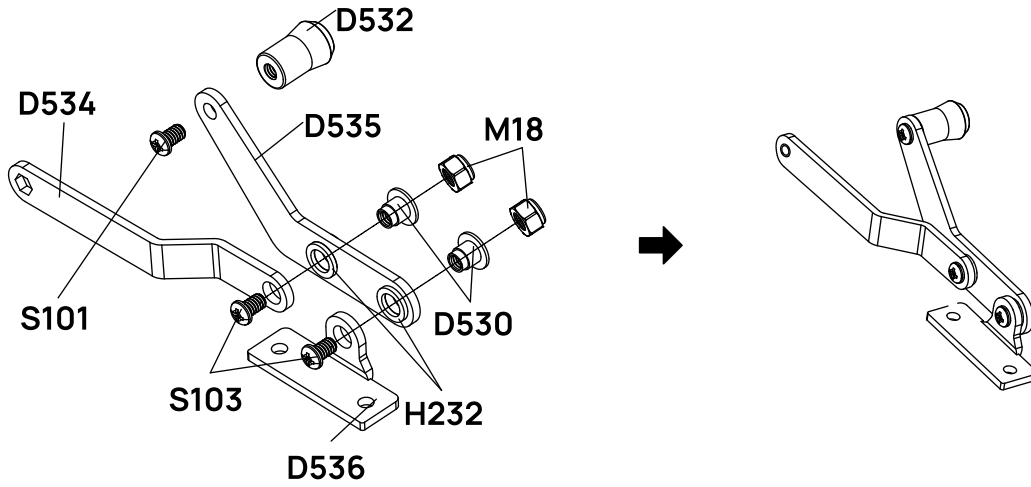


Insert all louver blades into the control frames, with the short edges of the L44A profiles facing inward and upward.



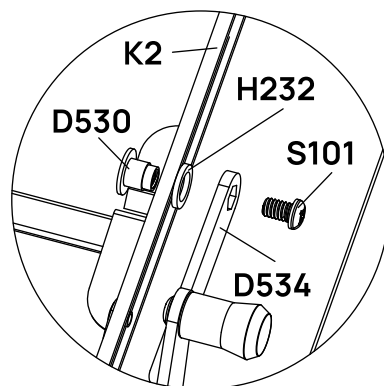
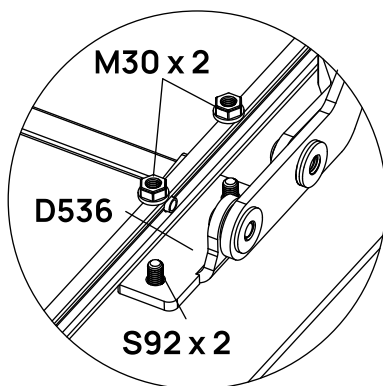
STEP
03

Assemble the louver control handle as shown, then attach it to the K2 control frame.



1

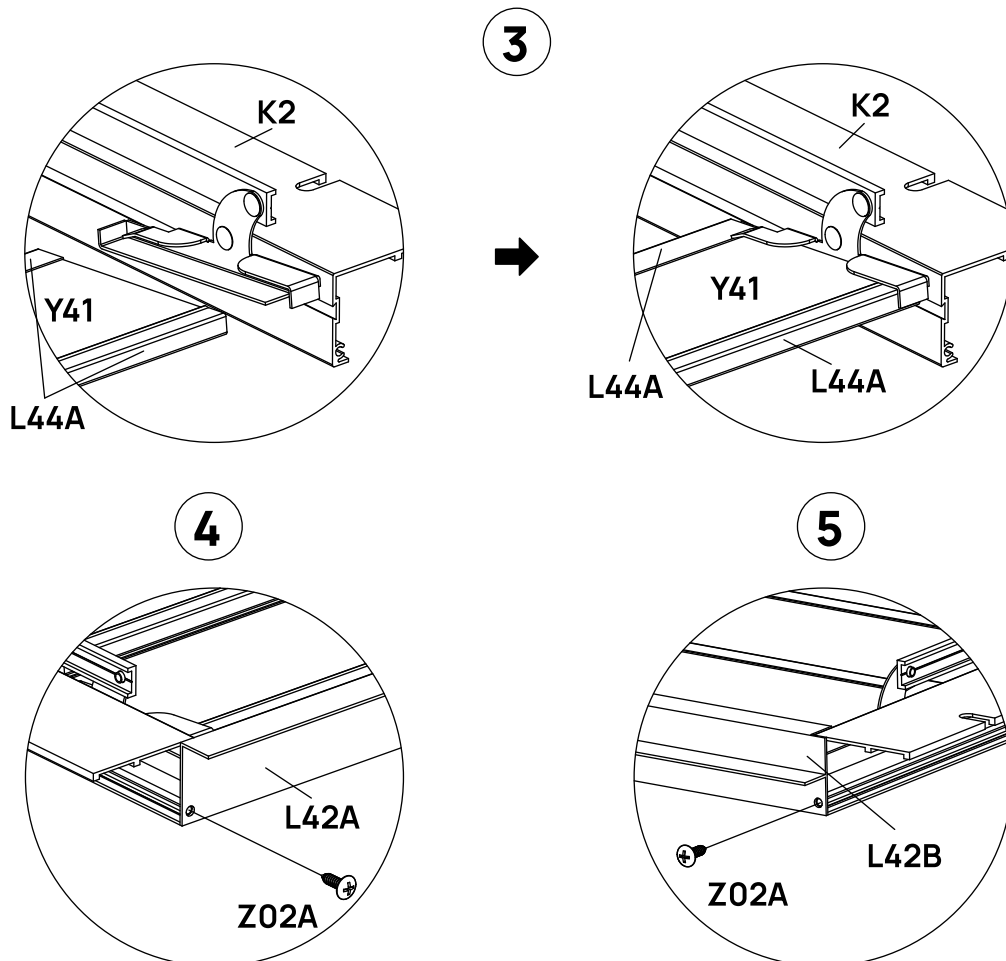
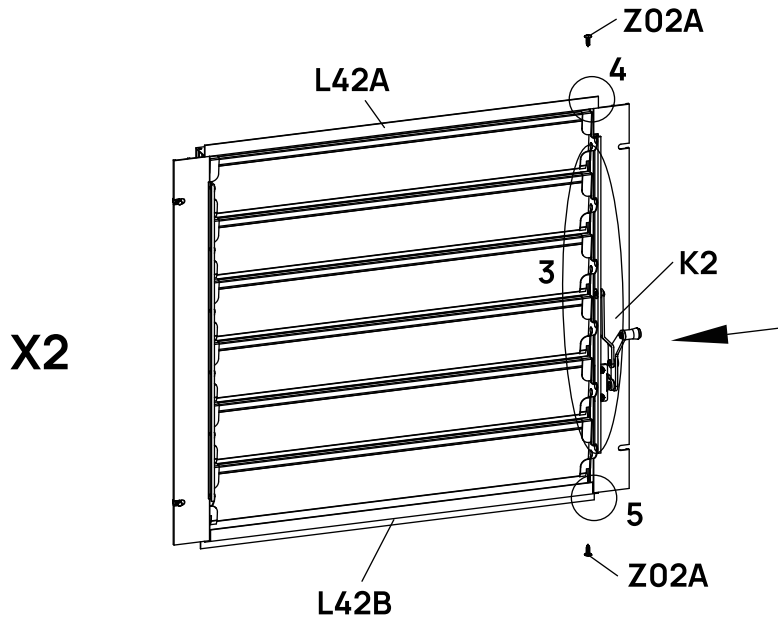
2



STEP
04

Attach K2 control frame with handle to L42 frames and blades, secure with Z02A screws as shown.

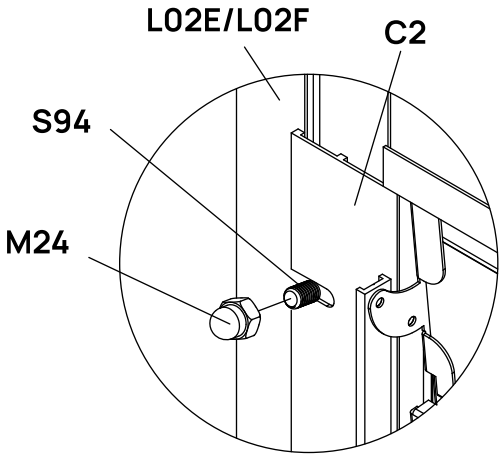
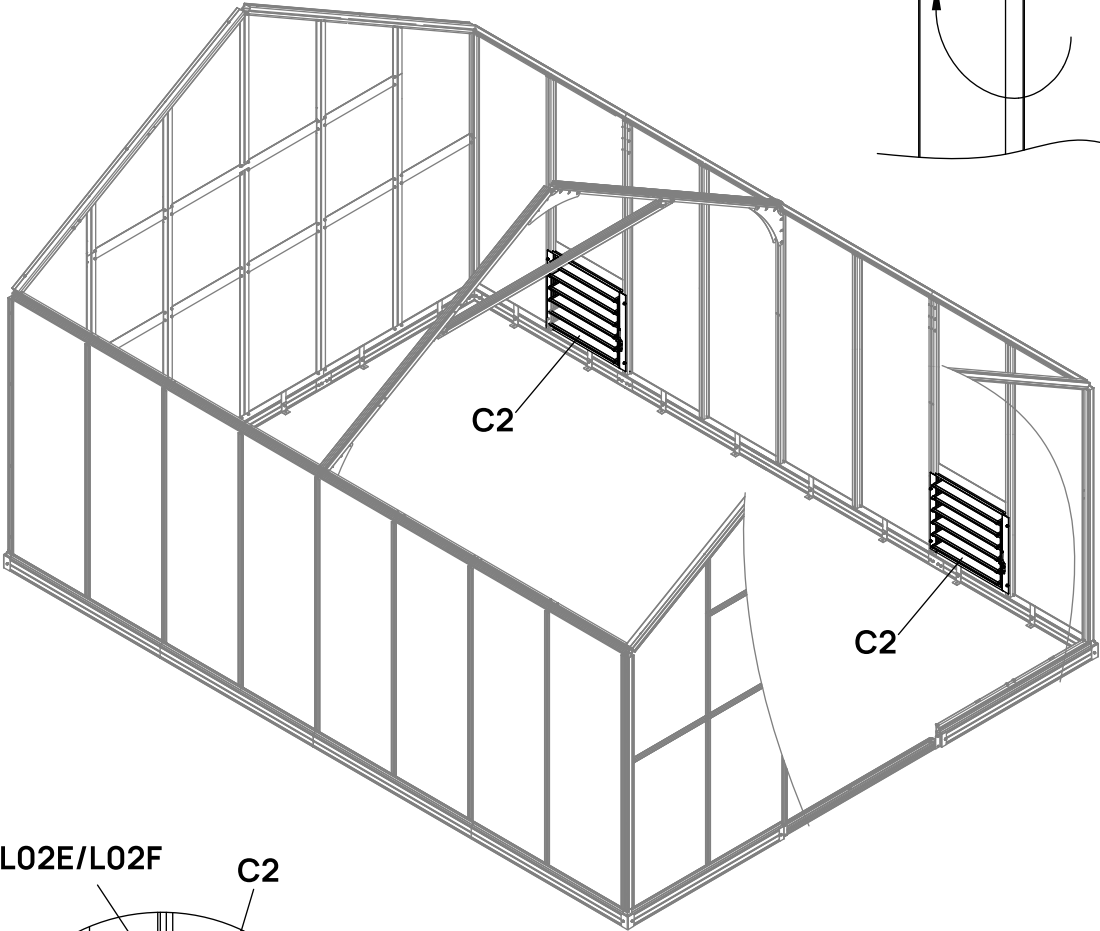
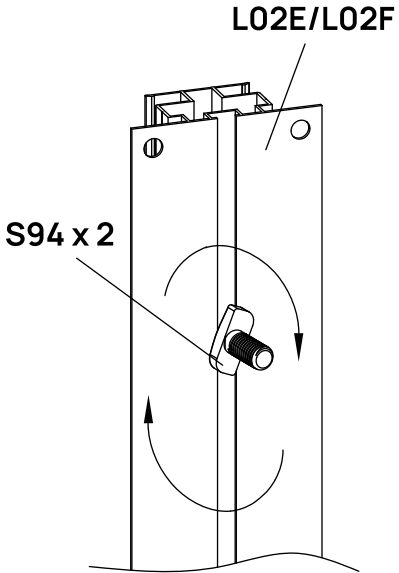
Repeat these steps to assemble a total of 2 louvered windows.



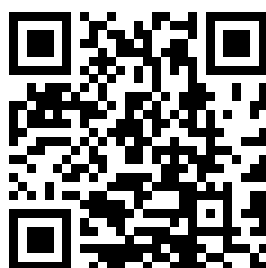
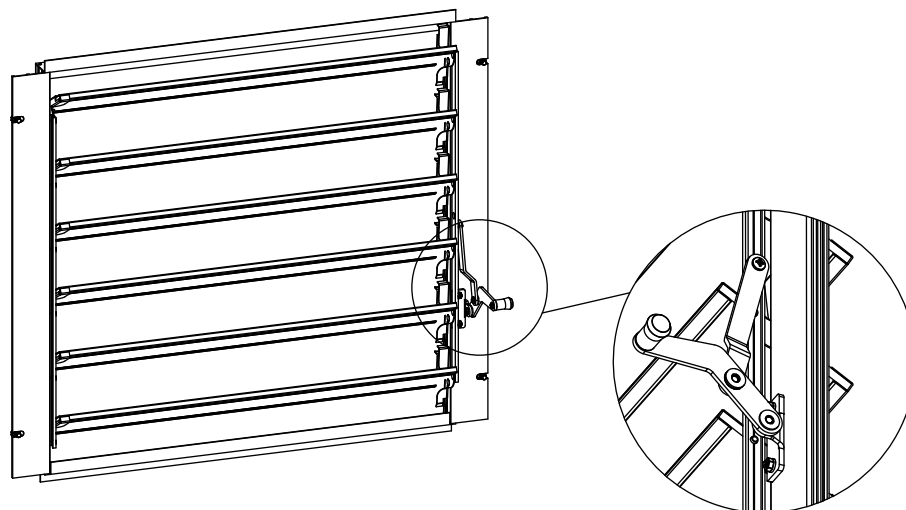
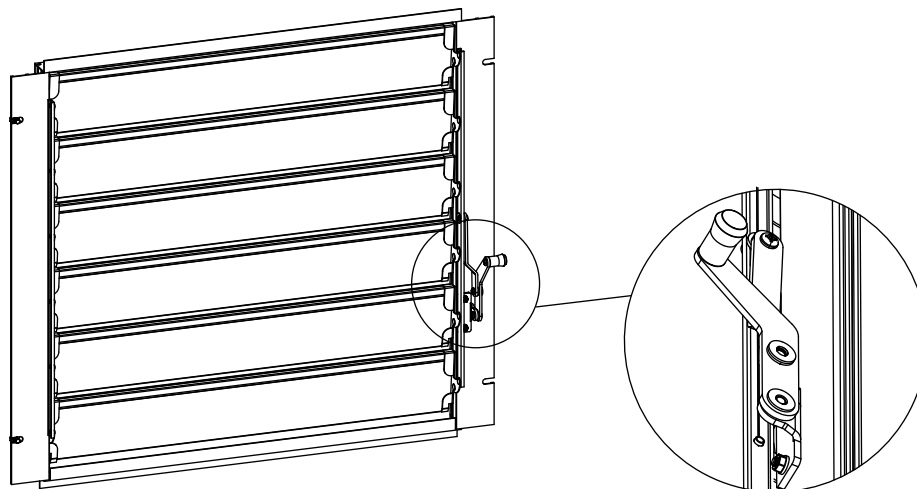
STEP
05

Attach the 2 sets of louvered windows in place as shown, using S94 T-bolts and M24 nuts.

BOX	PART	NO	QTY
		C2	2
PCBOX-1		S94 M6X10	8
PCBOX-1		M24 M6	8



Test to make sure the louver blades can be opened and closed smoothly with the handle.

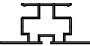


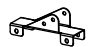
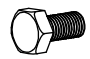


vegogarden.com

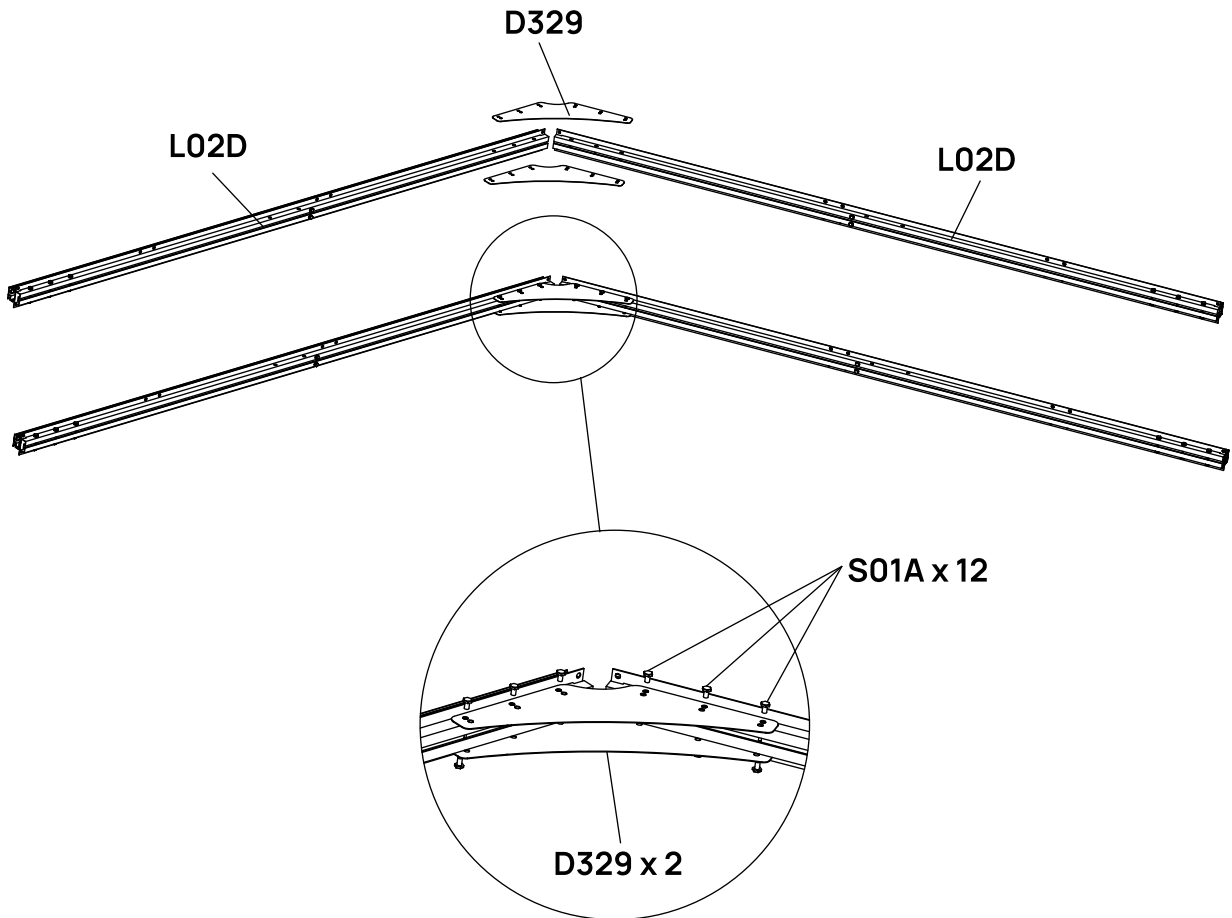
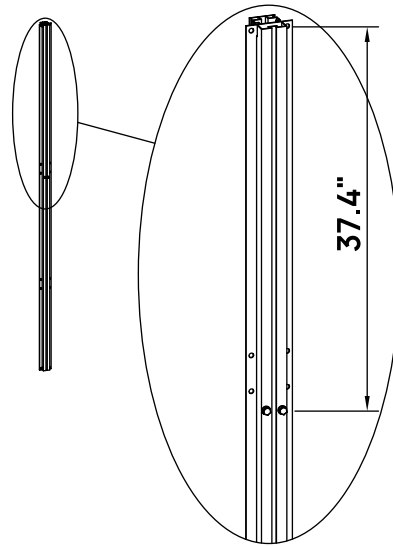
Roof Assembly

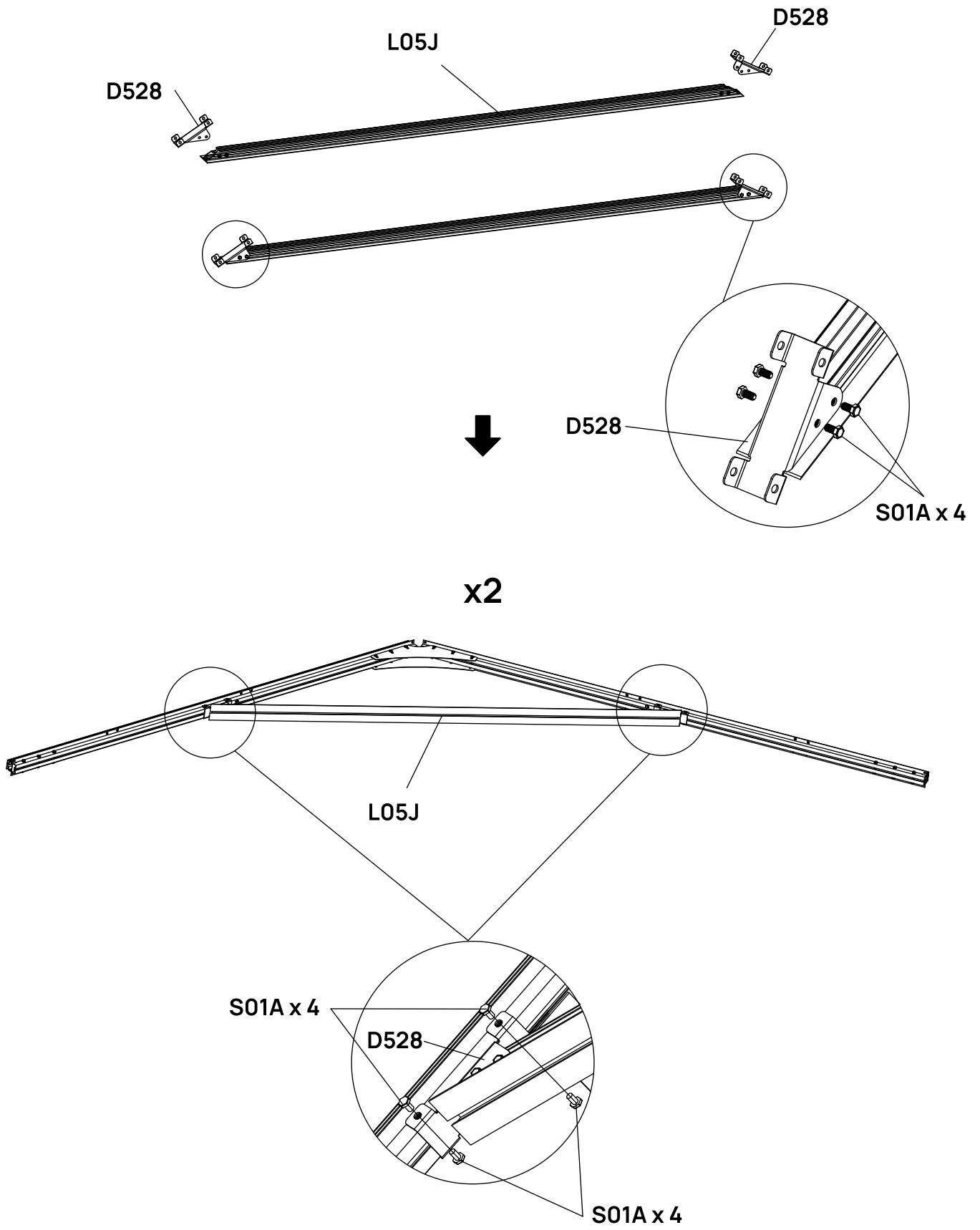
STEP 01

Assemble 2 sets of roof rafter pieces with D348 brackets, then attach support bars to the rafters as shown.

BOX	PART	NO	QTY
ALBOX-1		L02D	4
ALBOX-1		L05J	2
ALBOX-3		D329	4
ALBOX-3		D528	4
Pre-installed		S01A M6X12	56




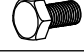

The ends with pre-installed bolts face upward.

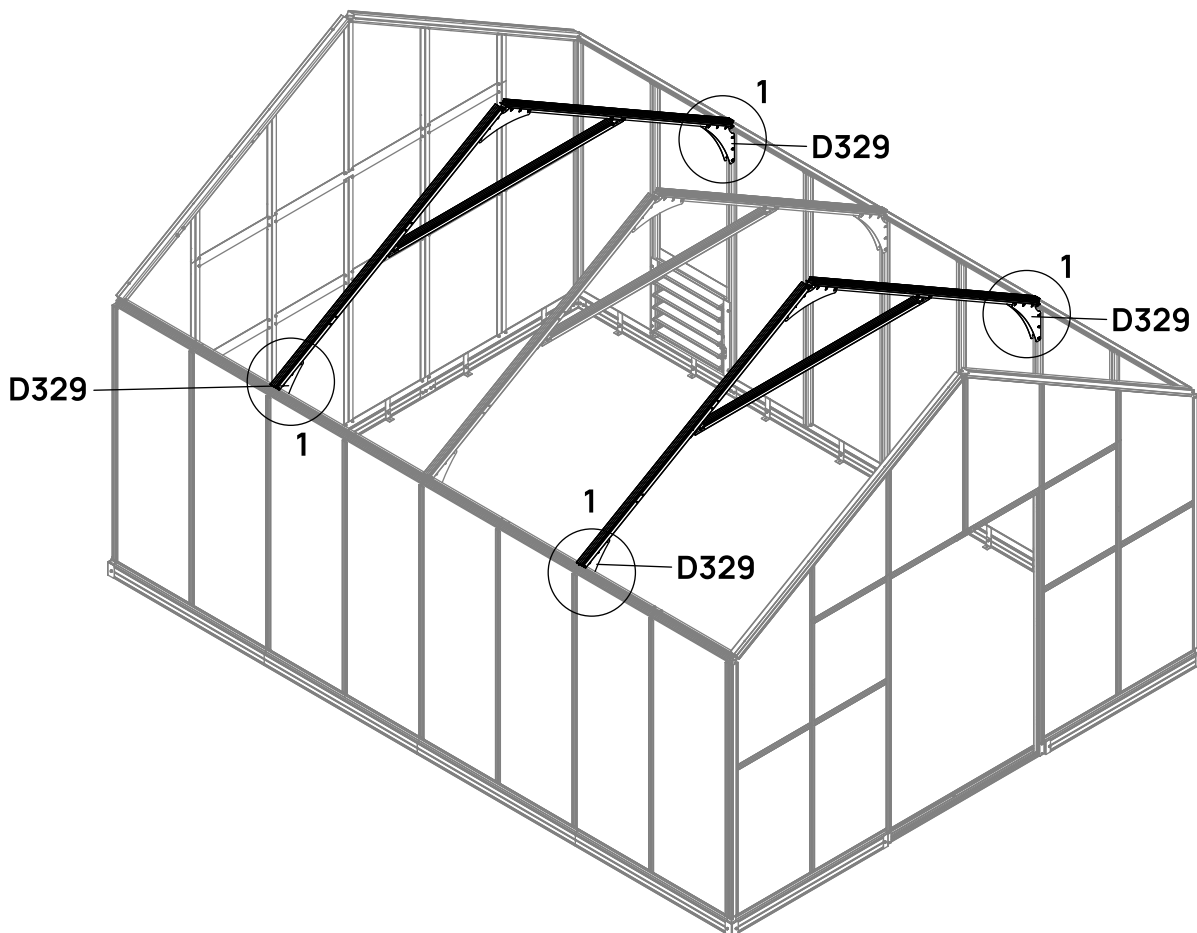
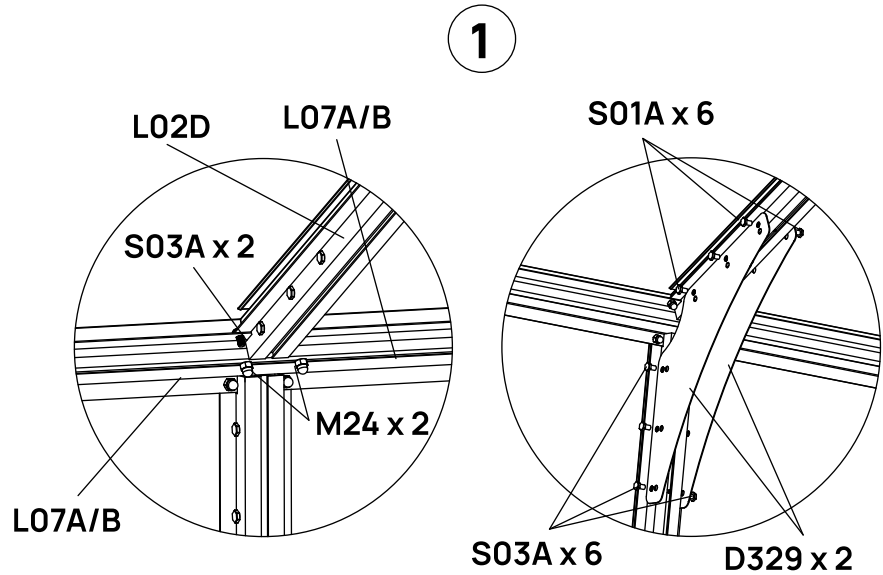




STEP
02


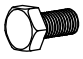

Attach the roof rafters to the eave frames as shown, then reinforce them with the D329 support brackets.

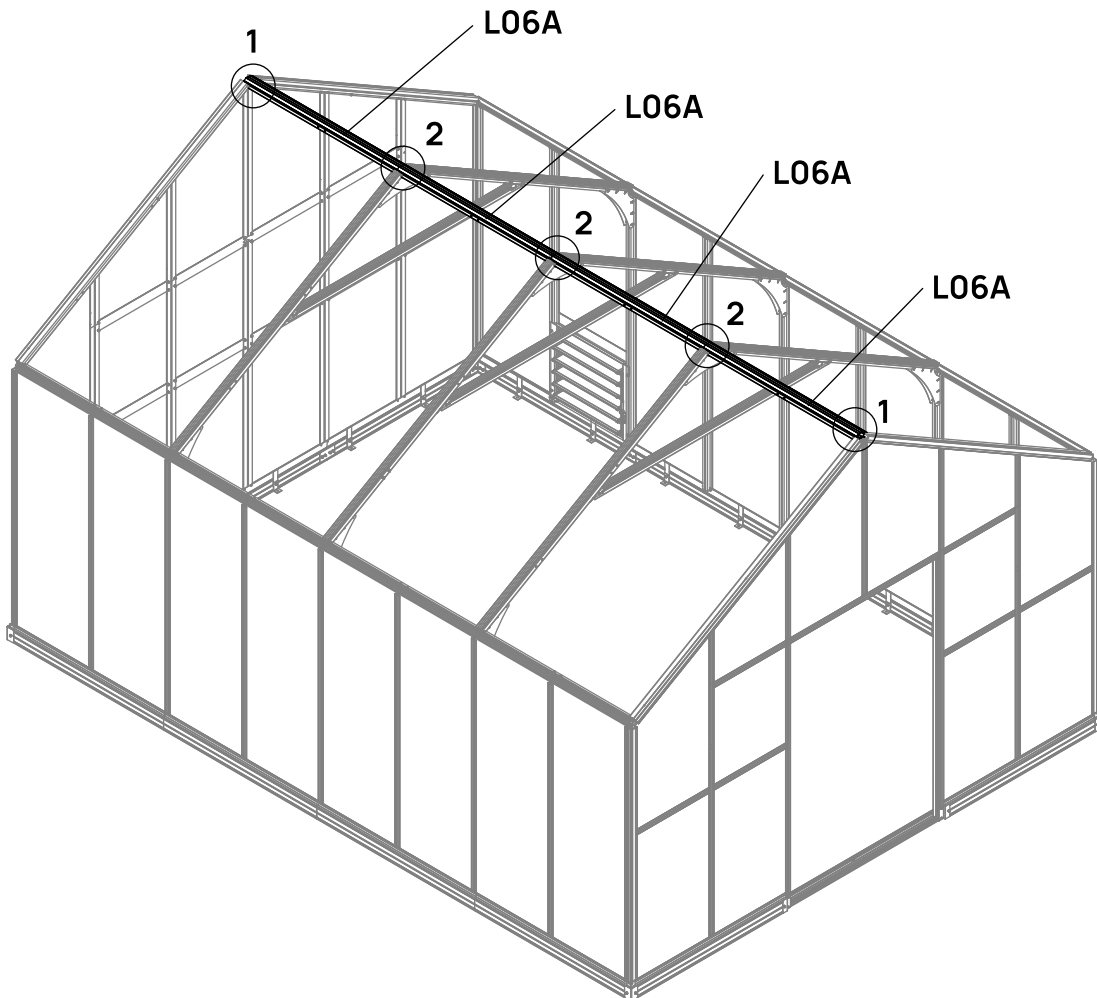
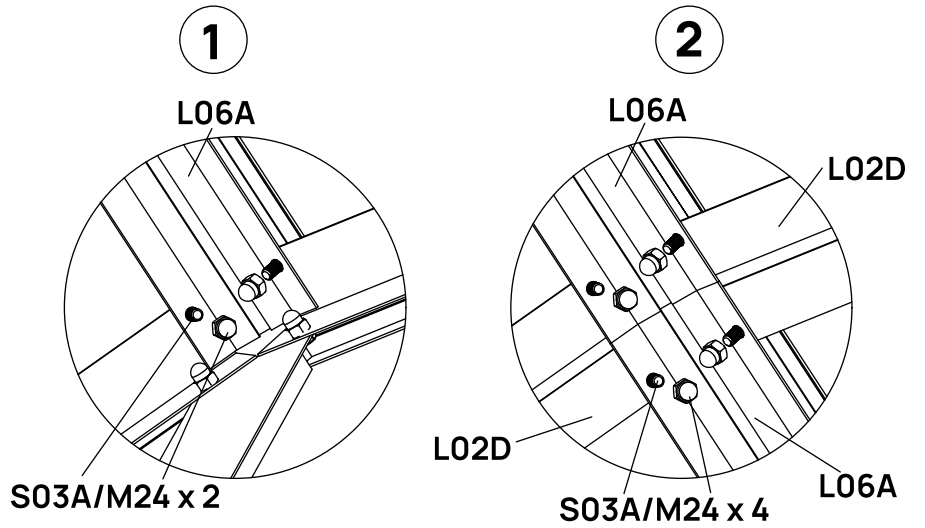
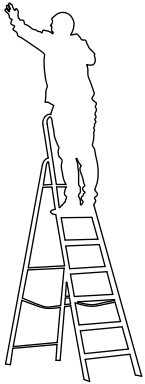
BOX	PART	NO	QTY
ALBOX-3		D329	8
ALBOX-3		S03A M6X10	8
ALBOX-3		M24 M6	8
Pre-installed		S01A M6X12	24
Pre-installed		S03A M6X10	24



STEP
03



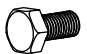


Assemble ridge frames on the roof rafters as shown.

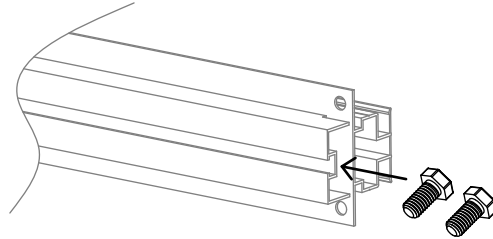
BOX	PART	NO	QTY
ALBOX-5		L06A	4
ALBOX-3		S03A M6X10	16
ALBOX-3		M24 M6	16



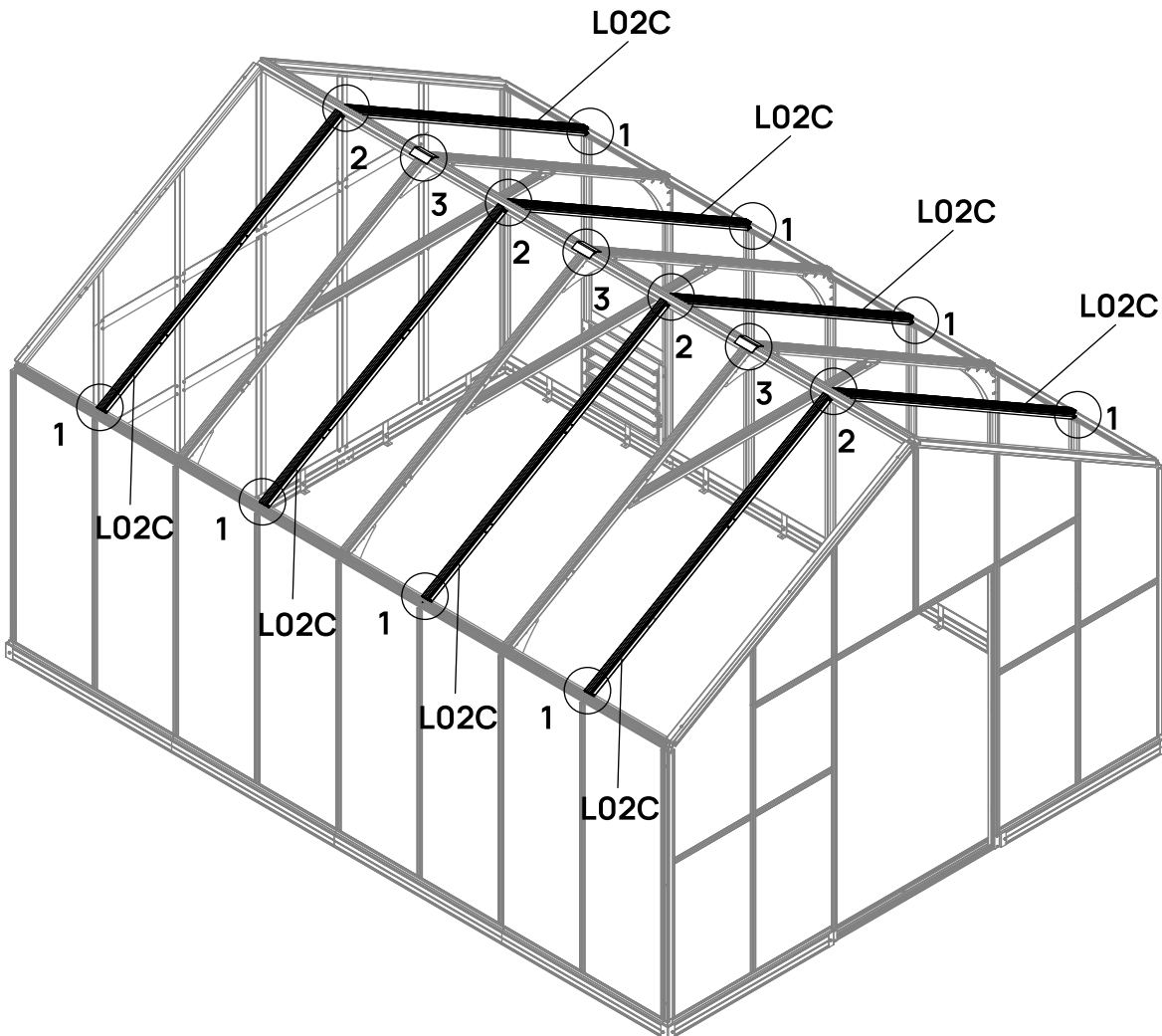
STEP
04

Assemble the rest of L02C roof rafters as shown.

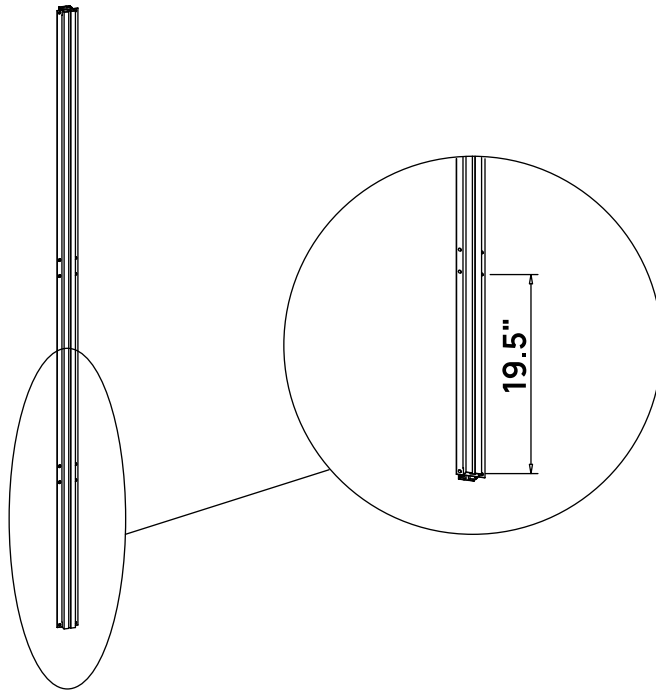
BOX	PART	NO	QTY
ALBOX-1		L02C	8
ALBOX-3		D26	3
ALBOX-3		S03A M6X10	48
ALBOX-3		M24 M6	32
ALBOX-3		Z08A Ø4.2x16	6



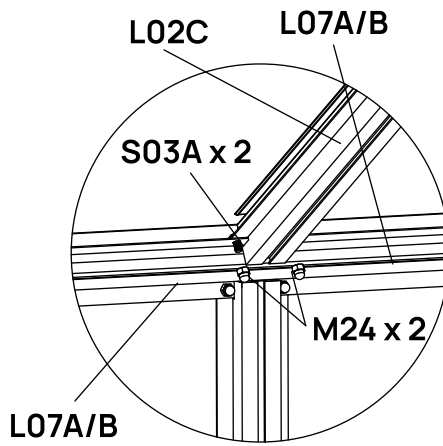
⚠ Note: Slide two S03A bolts into the groove of each L02C frames for later roof connecting frames assembly.



The ends of L02C with more holes face downward.

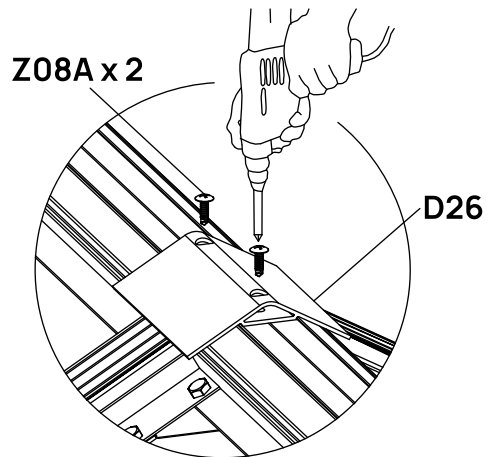
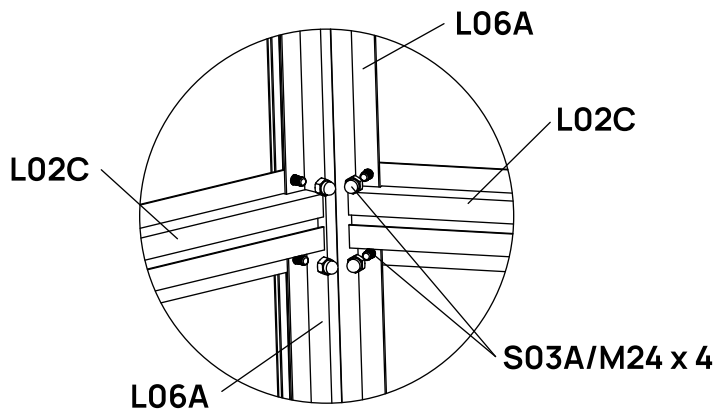


1



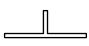
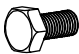

2

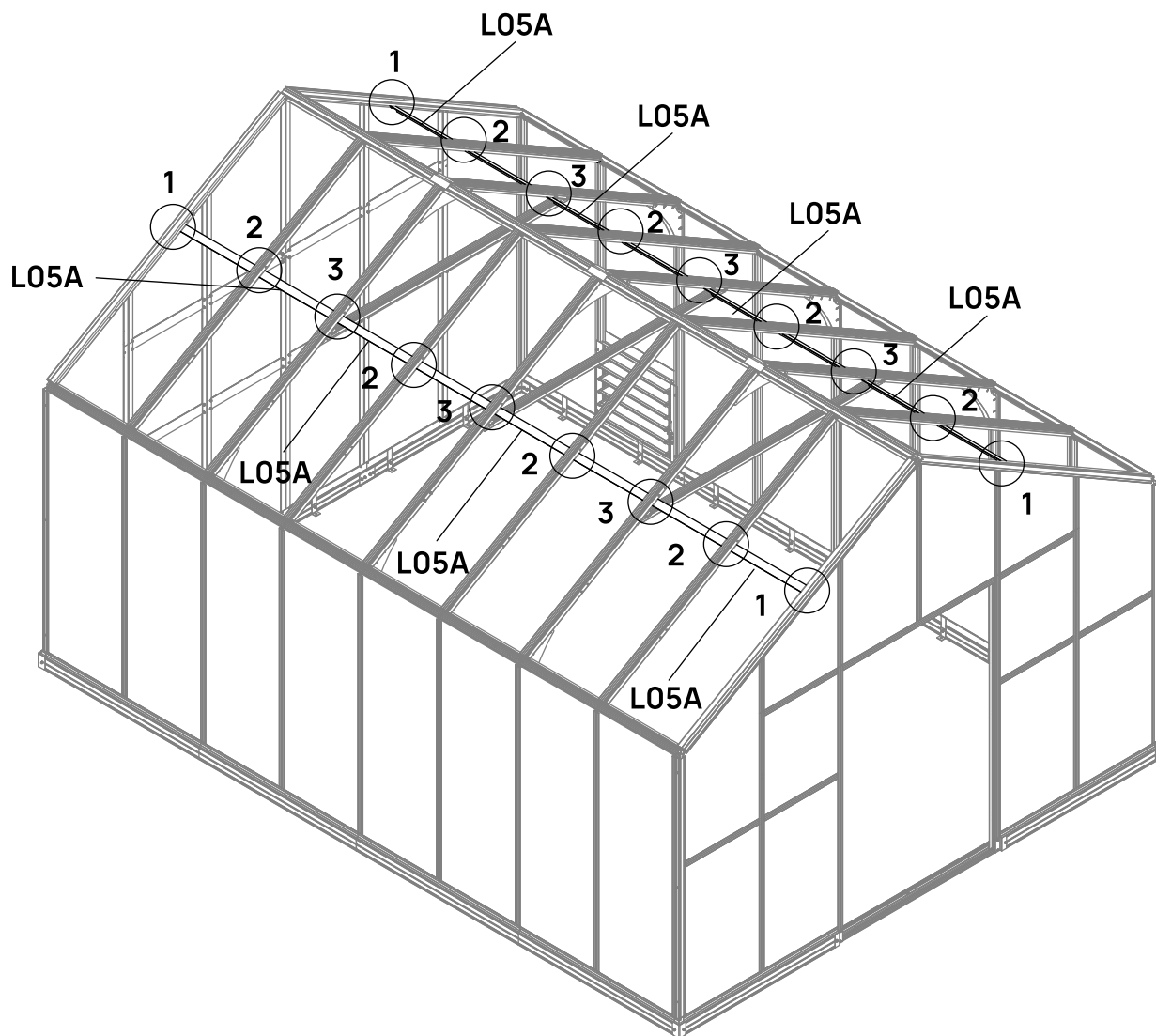
3

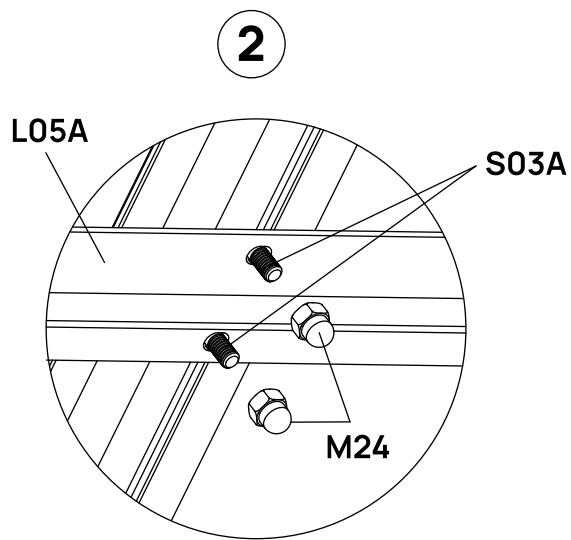
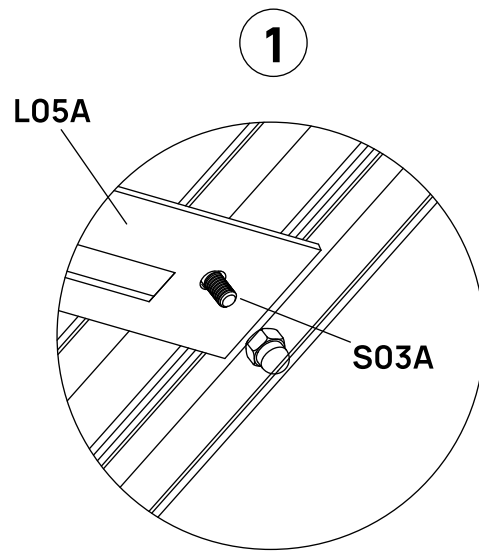


STEP
05

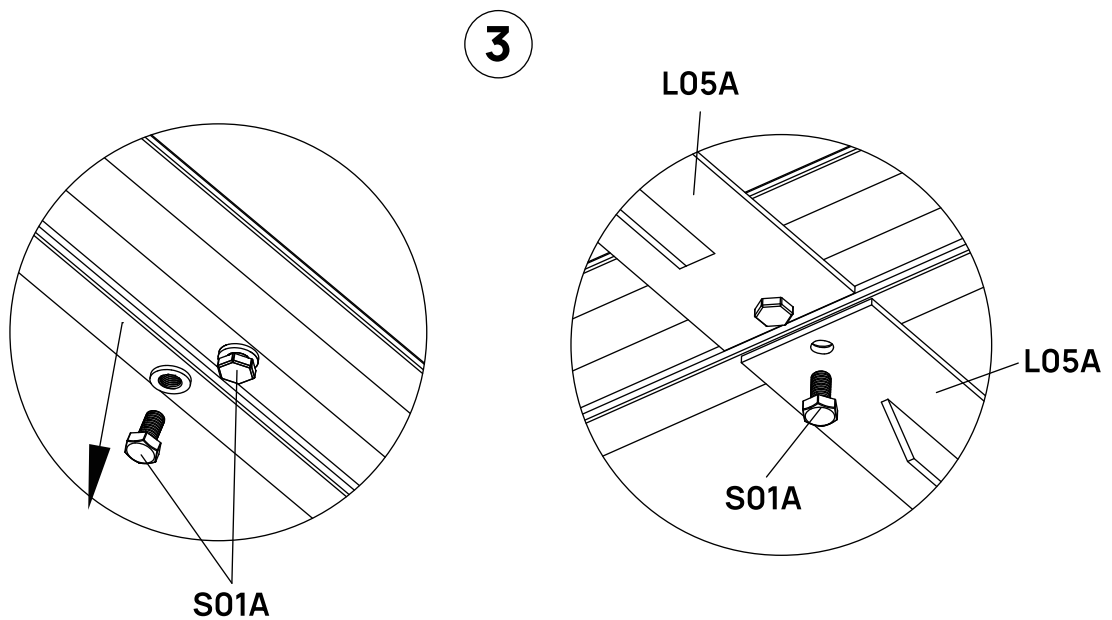
Assemble L05 roof connecting frames as shown, using the pre-installed S01A and pre-slided S03A bolts.

BOX	PART	NO	QTY
ALBOX-4		L05A	8
Pre-installed		S01A M6X12	12
ALBOX-3		M24 M6	20





Note: Use the pre-slided S03A bolts in the groove of rafter frames.










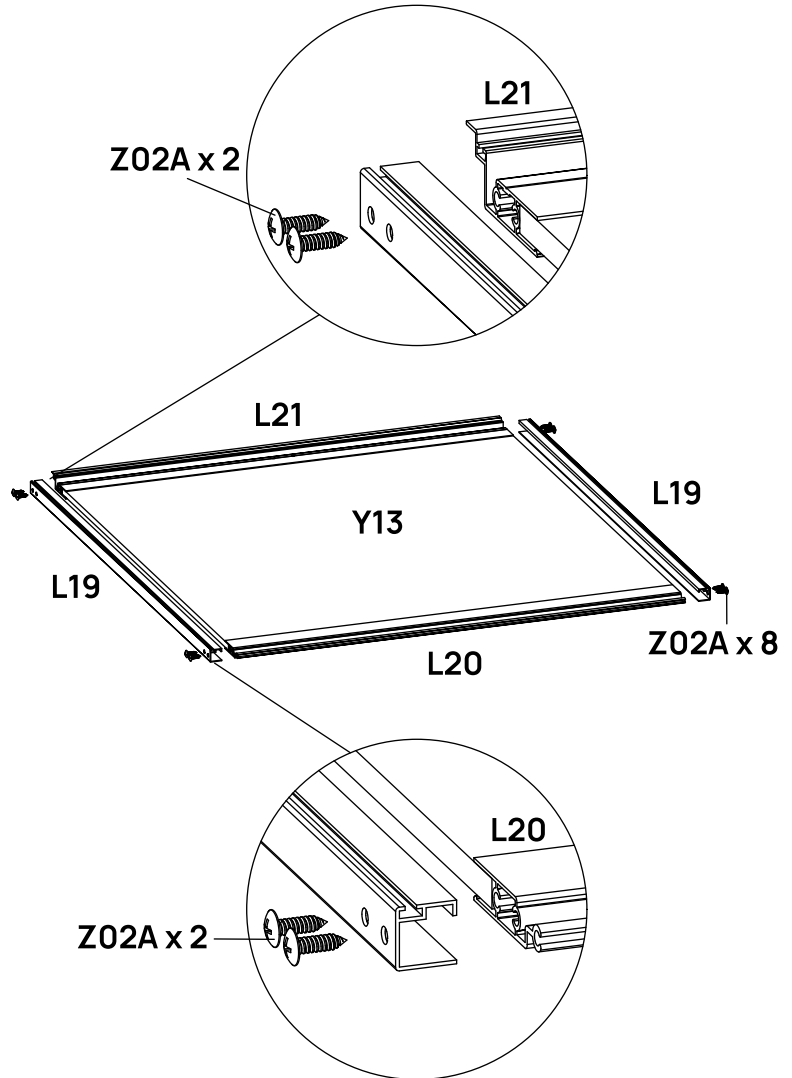
Note: Remove and use the pre-installed S01A bolts.

Vent Assembly

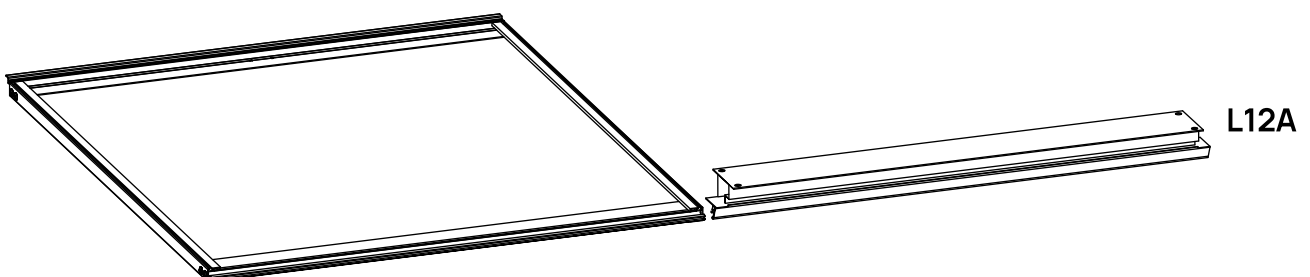
STEP 01

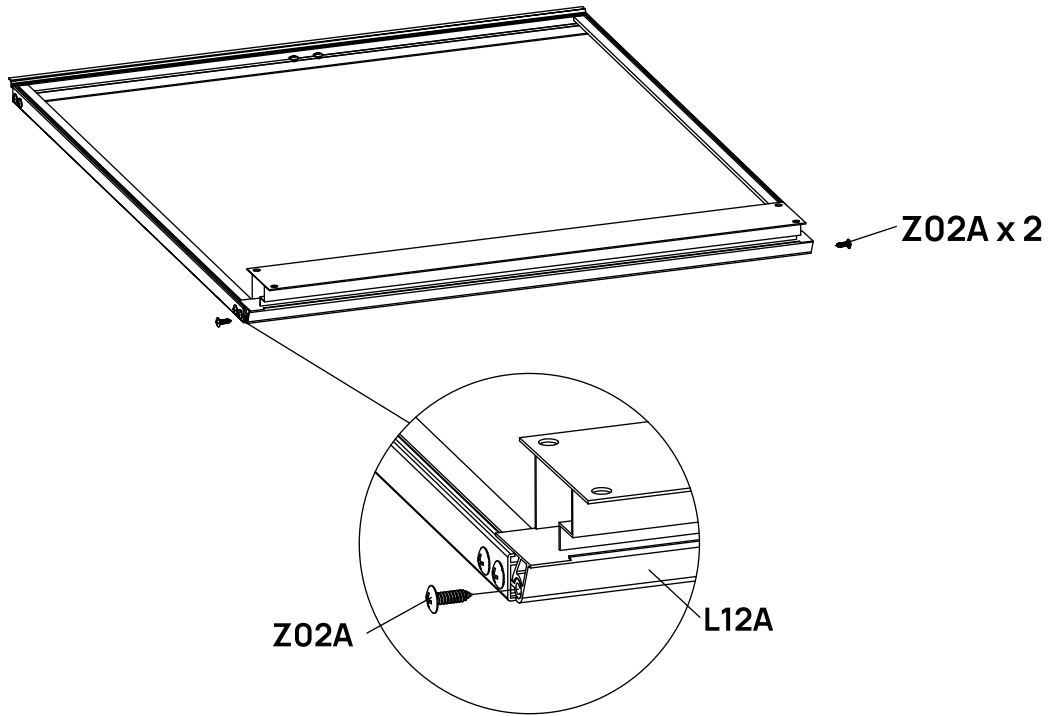
With the UV-Protected side of the PC panel facing downward, assemble the vent as shown, using Z02A screws. Make sure the profiles with weather stripping are positioned on the same side, trim any excess stripping from the ends.

BOX	PART	NO	QTY
ALBOX-3		L12A	8
ALBOX-3		L19	16
ALBOX-3		L20	8
ALBOX-3		L21	8
PCBOX-1		Y13	8
ALBOX-3		Z02A Ø4X16D	80
PCBOX-3		H158	1
GLBOX-1		H159	

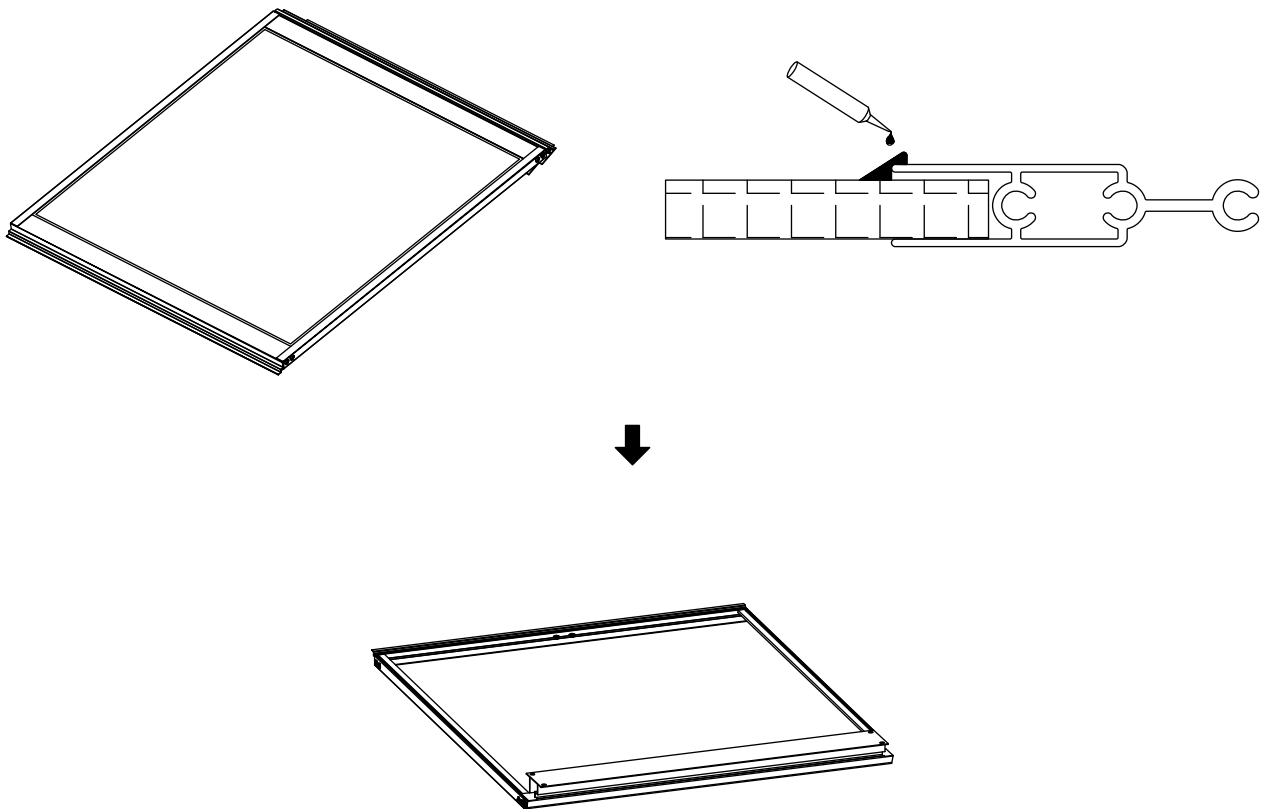


Slide L12A hinge frame onto L20 as shown. Ensure it is oriented the correct way, then secure with Z02A screws as shown.






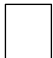





Repeat these steps to assemble a total of 8 vents. Apply silicone caulk (not provided) around all PC panels to seal.

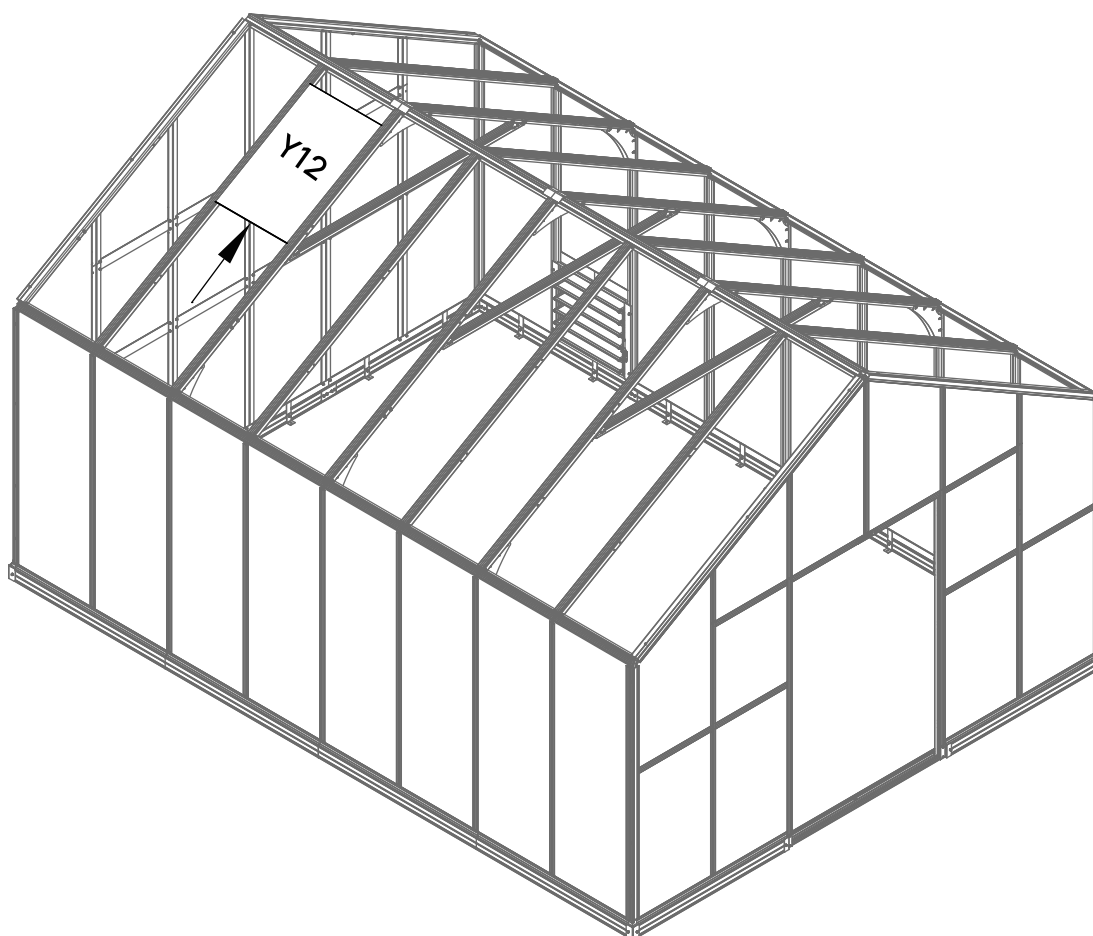


C1 x 8

STEP
02

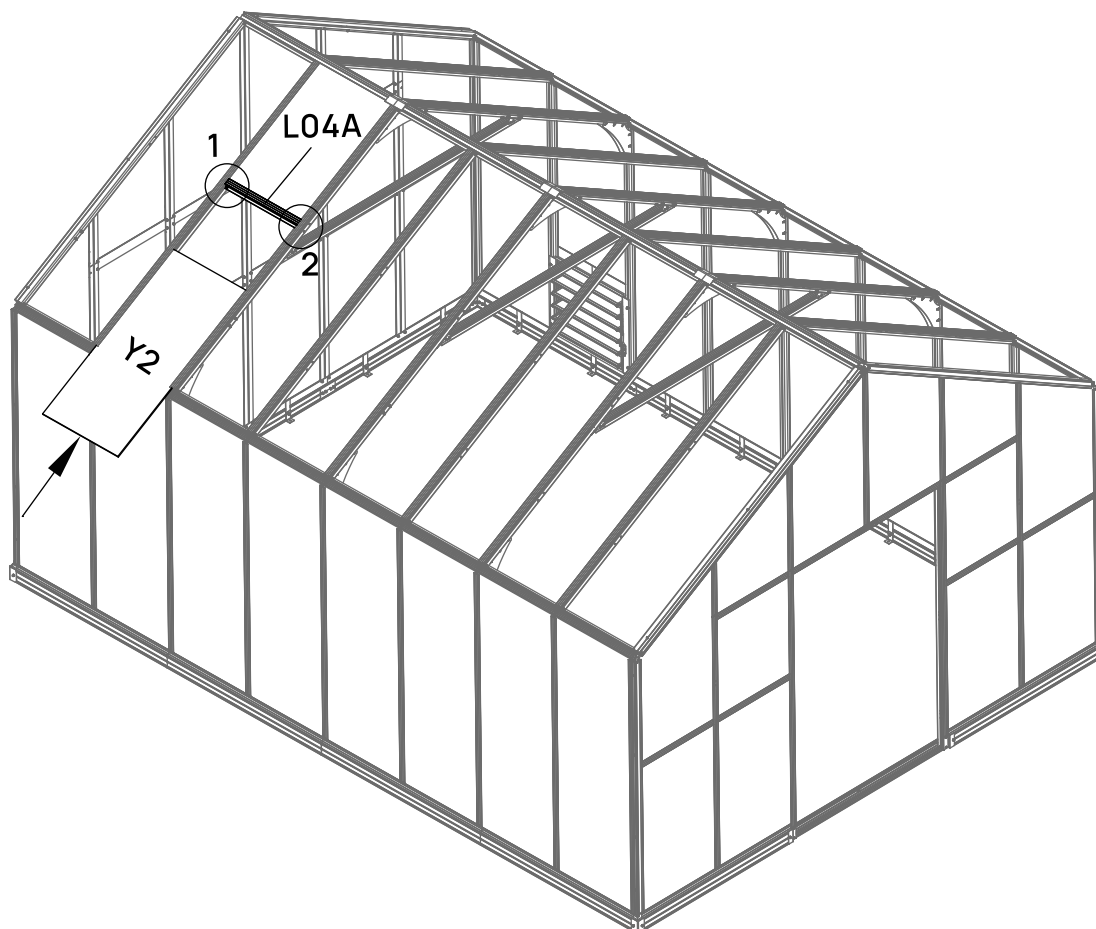
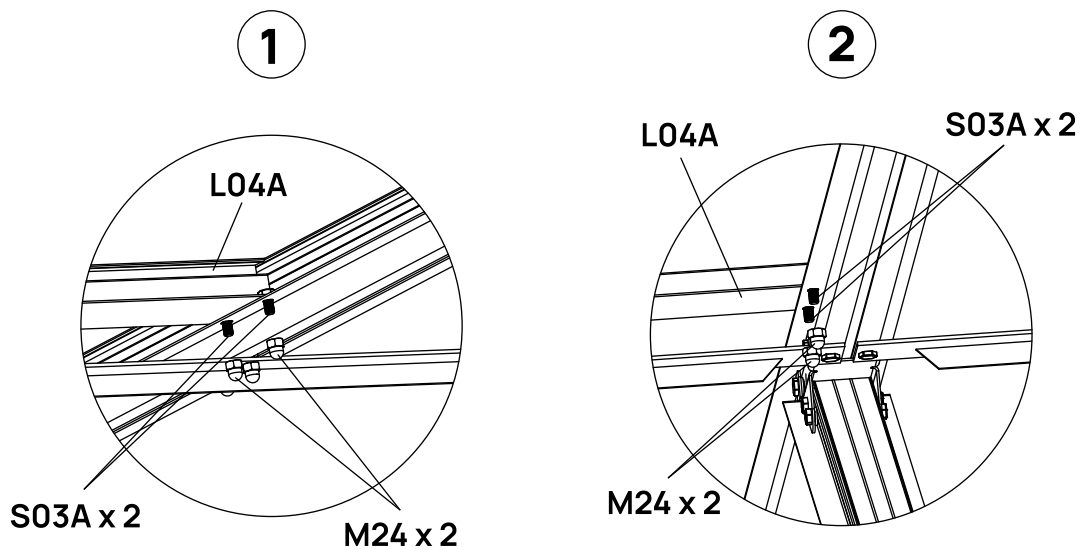
Slide Y12 panels into place as shown, and secure temporarily with painter's tape.

BOX	PART	NO	QTY
PCBOX-1		Y12	2
PCBOX-1		Y2	1
ALBOX-3		L04A	1
		C1	1
ALBOX-3		S03A	8
		M6X10	
ALBOX-3		M24	8
		M6	
PCBOX-3 GLBOX-1		H158	1
		H159	



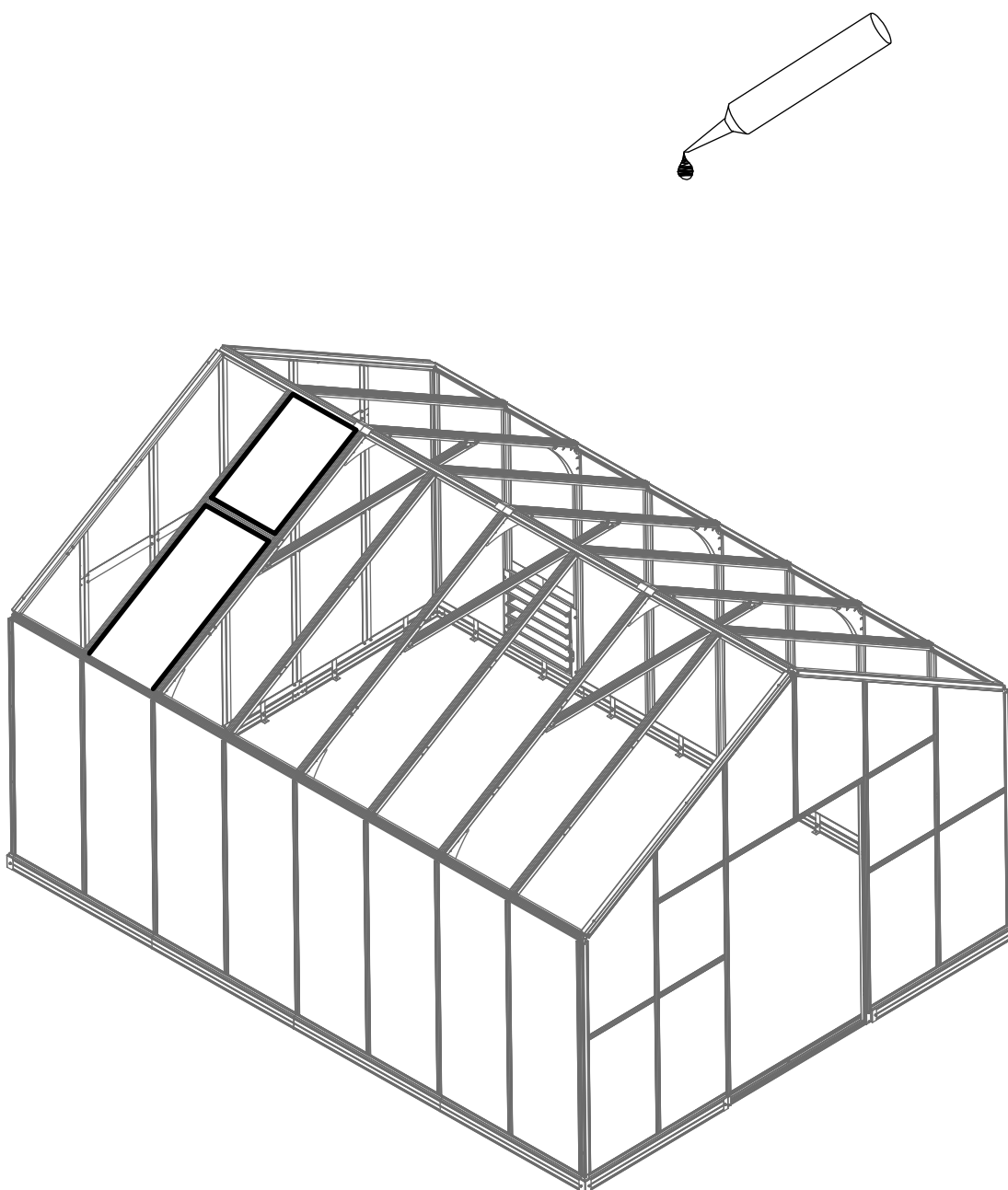
STEP
03

Install one L04A frame as shown, then slide one Y2 panel into place.



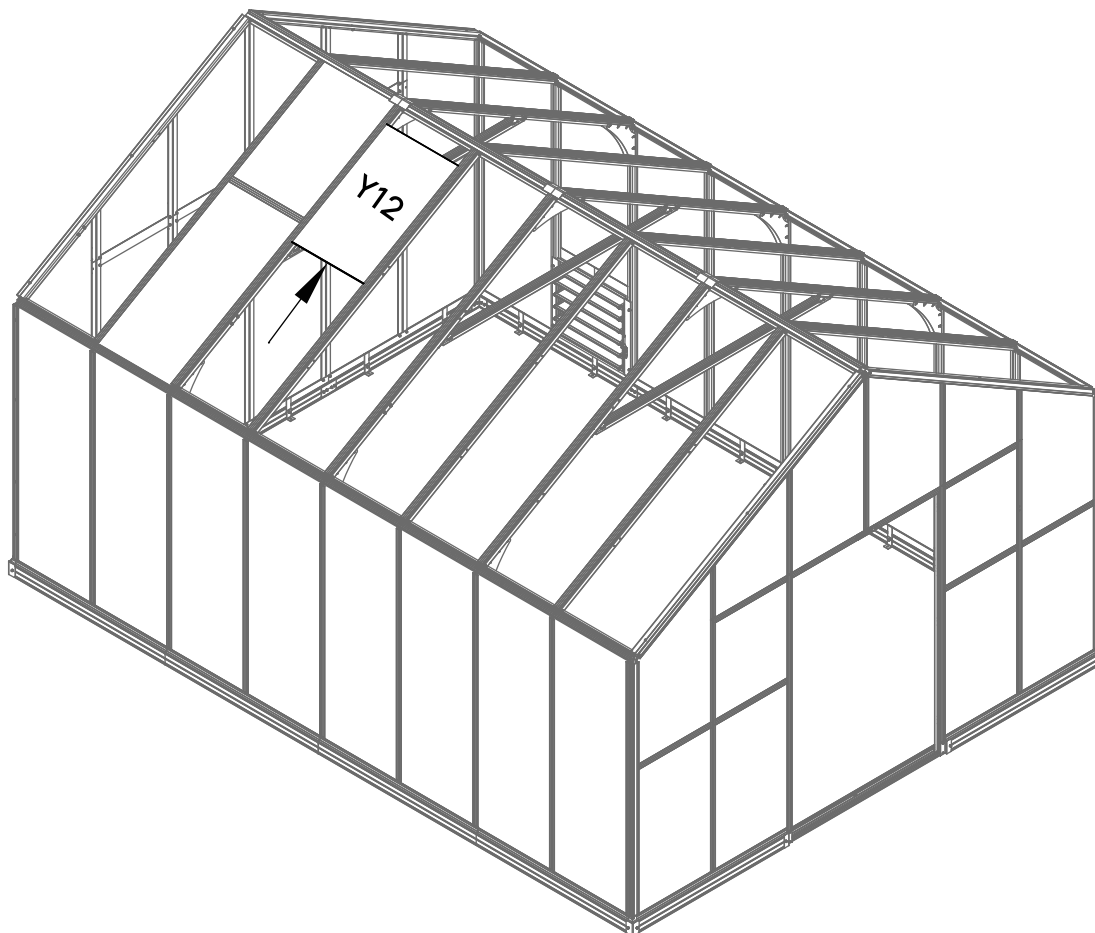
STEP
04

Apply silicone caulk (not included) around PC panels to seal as shown.



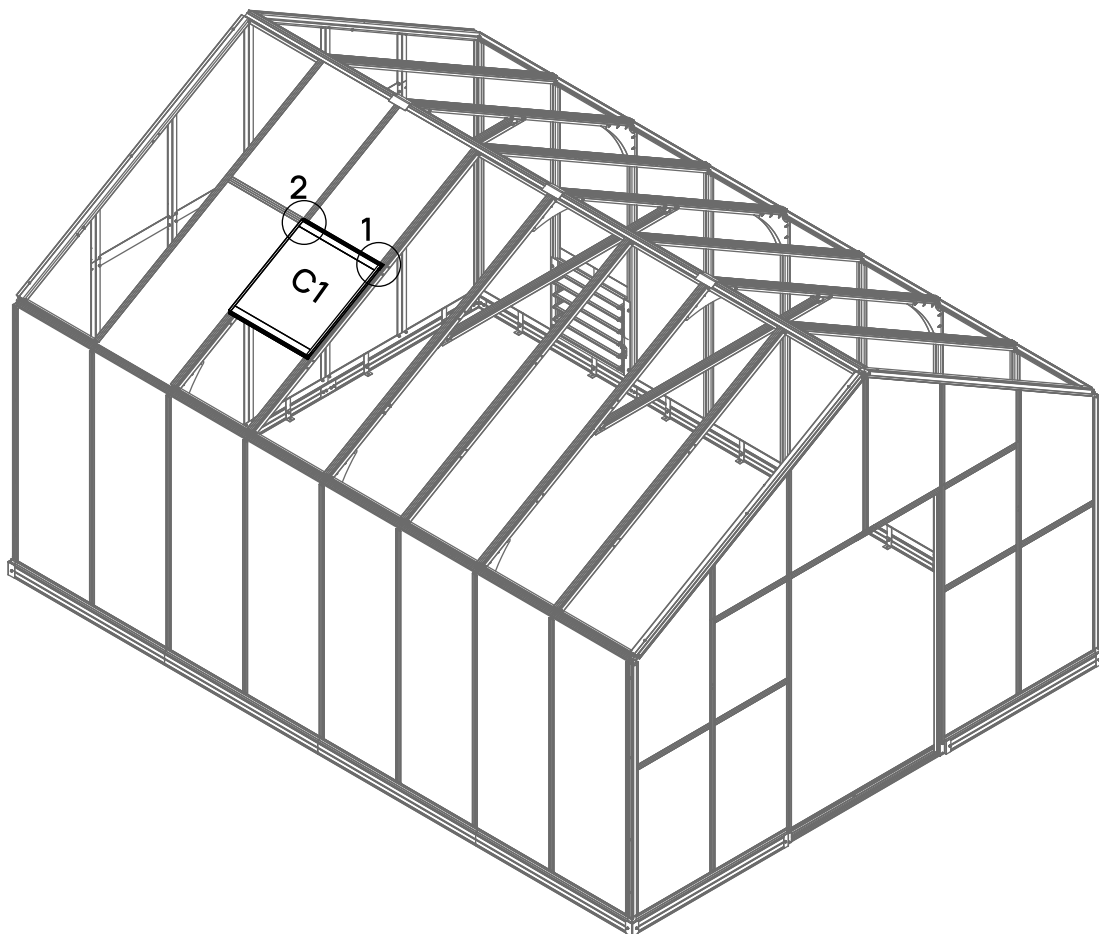
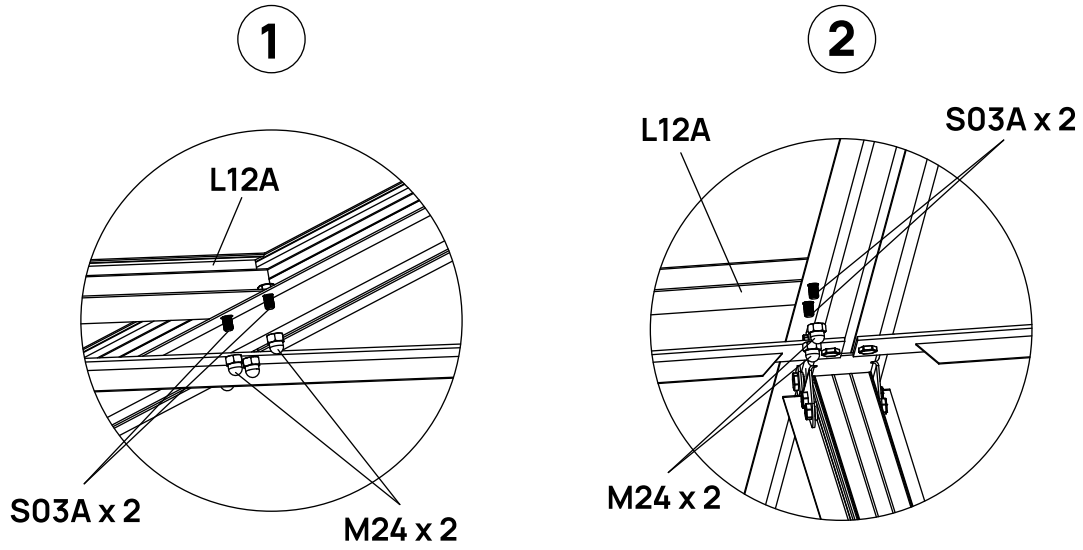
STEP
05

Slide Y12 panels into place as shown, and secure temporarily with painter's tape.



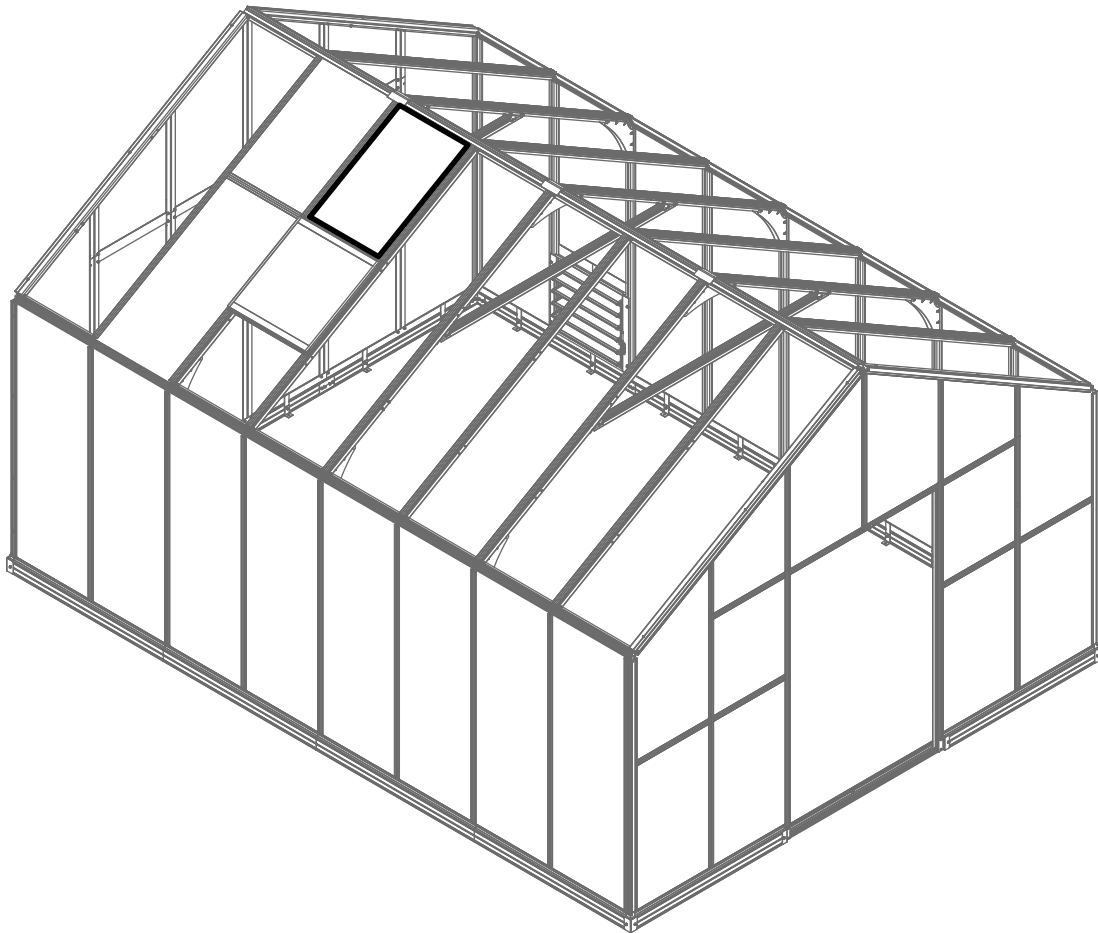
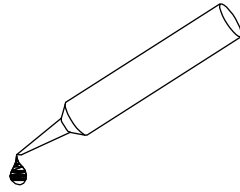
STEP
06

Attach the vent to the roof as shown in diagram.







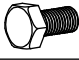


STEP
07

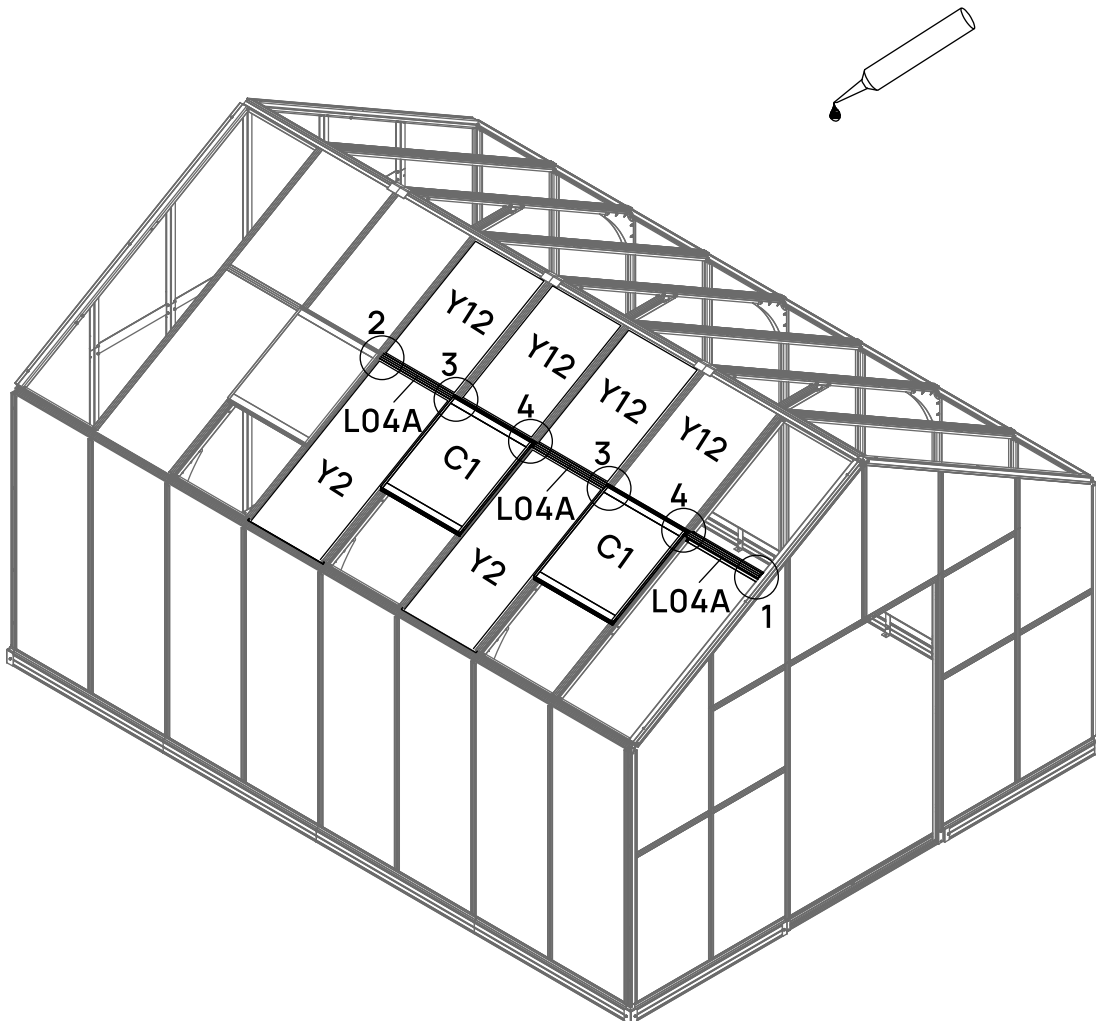
Apply silicone caulk (not included) around PC panels to seal as shown.



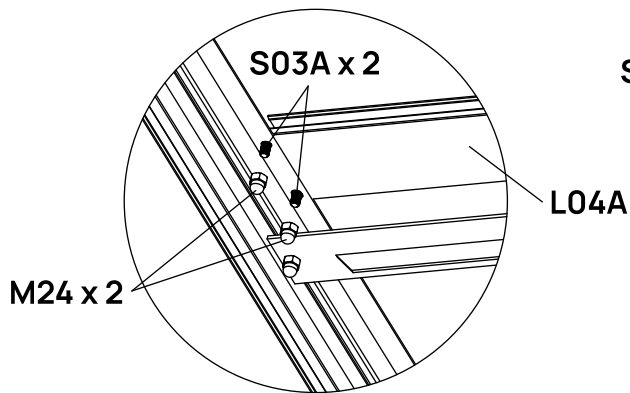
STEP
08

Repeat the previous steps to install the rest of panels, L04A frames and vents on one side of the roof. Apply silicone caulk (not included) around PC panels to seal.

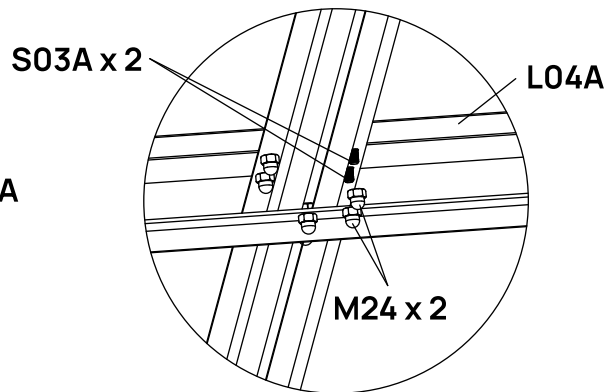
BOX	PART	NO	QTY
PCBOX-1		Y12	10
PCBOX-1		Y2	5
ALBOX-3		L04A	7
		C1	5
ALBOX-3		S03A M6X10	48
ALBOX-3		M24 M6	48
PCBOX-3 GLBOX-1		H158 H159	1



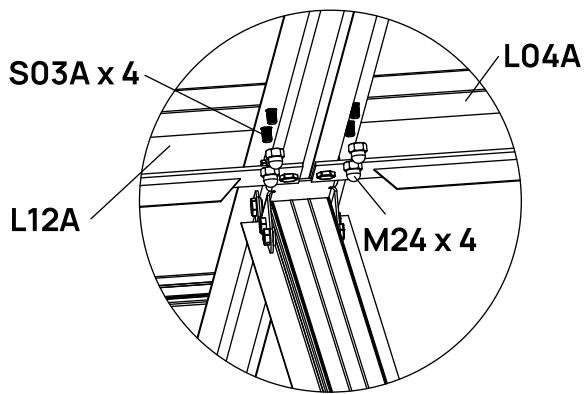
1



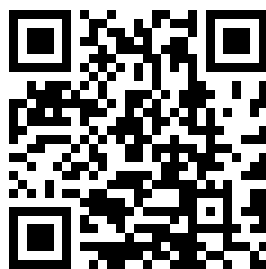
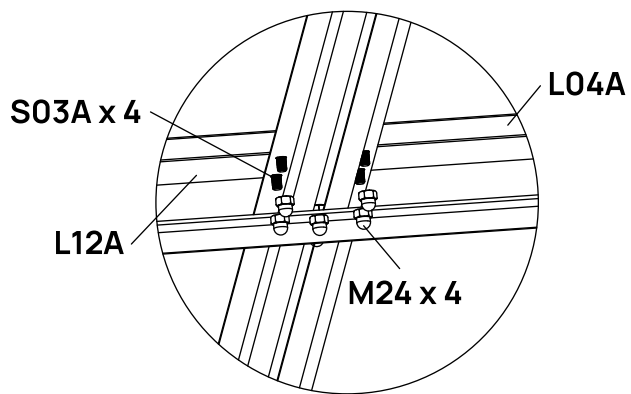
2



3

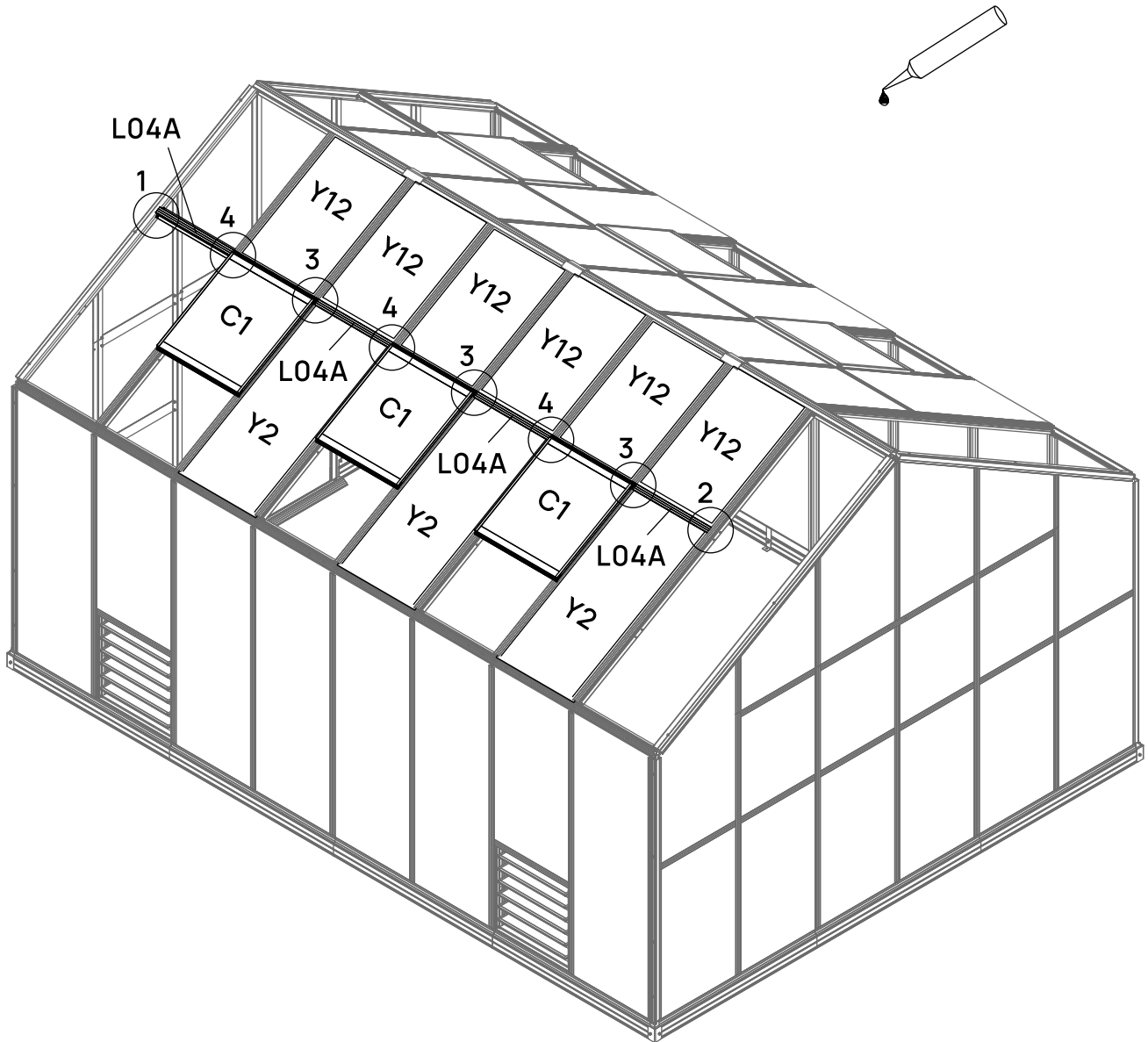


4




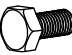

vegogarden.com

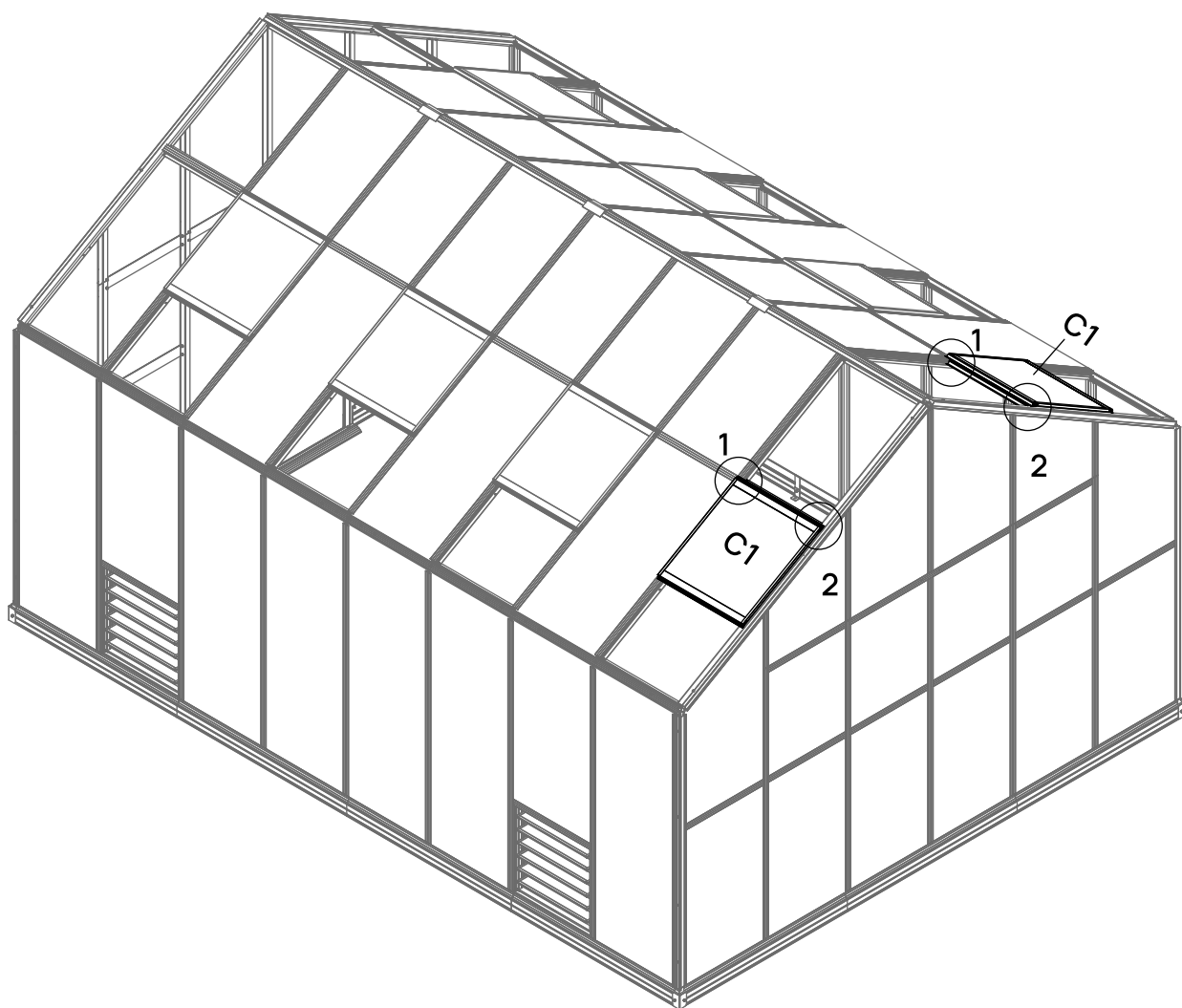
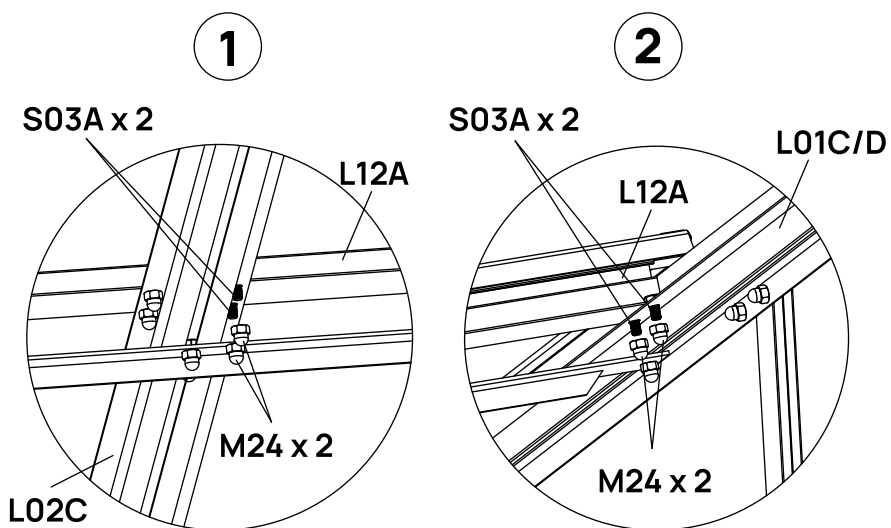
Install panels and vents on the other side of the roof.
Apply silicone caulk (not included) around PC panels to seal.



STEP
09




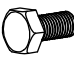


Attach the last two vents on both sides of the roof as shown.

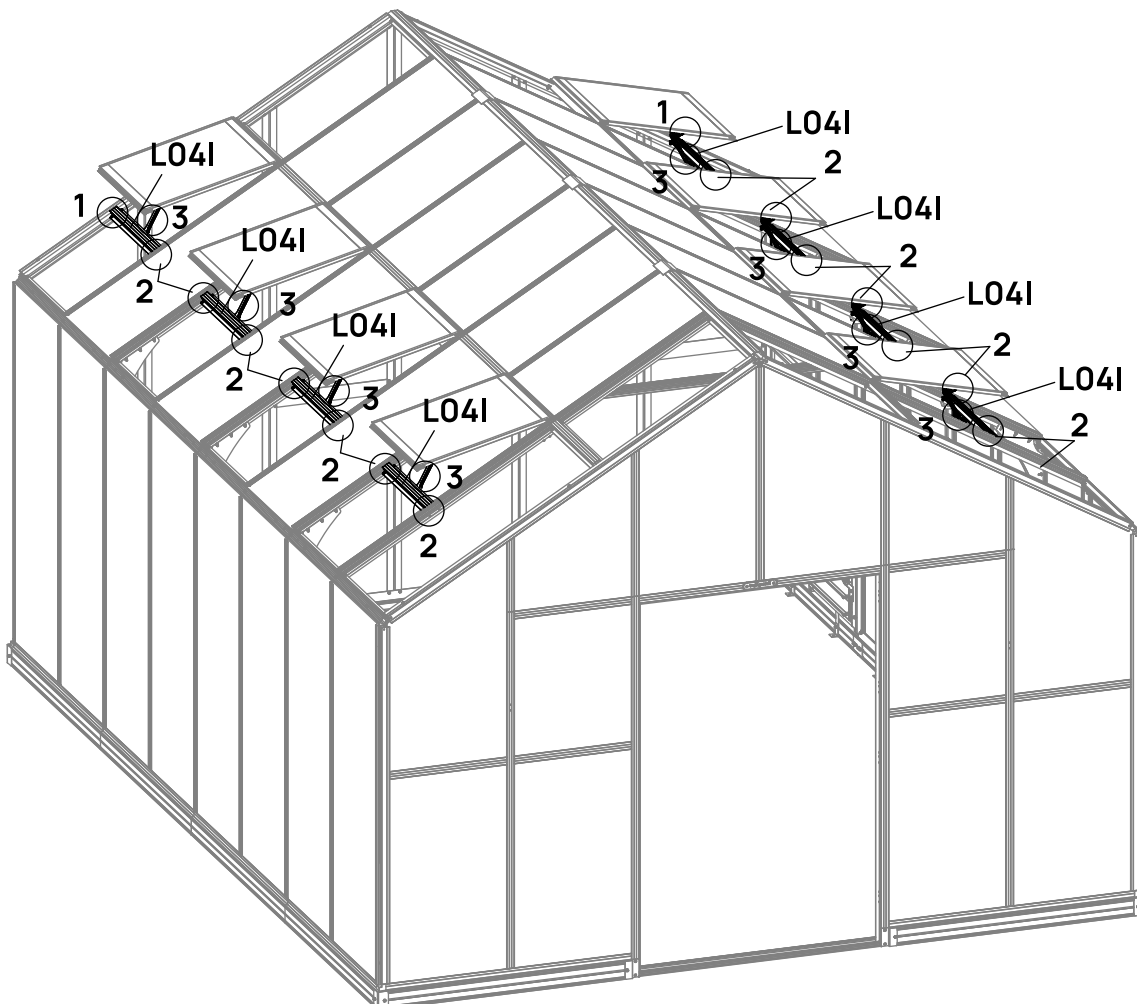
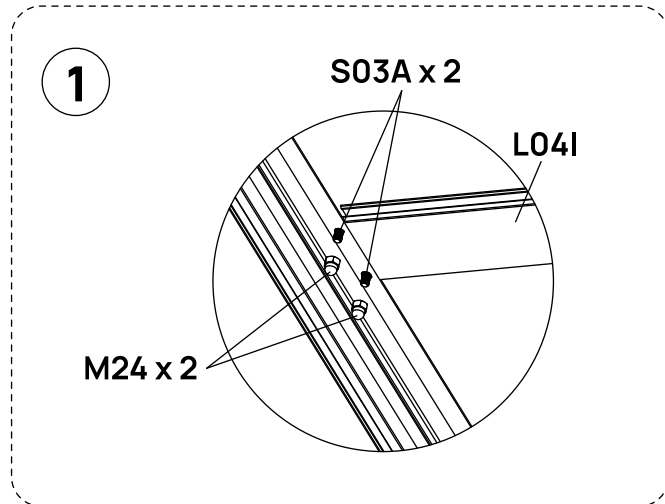
BOX	PART	NO	QTY
		C1	2
ALBOX-3		S03A M6X10	8
ALBOX-3		M24 M6	8



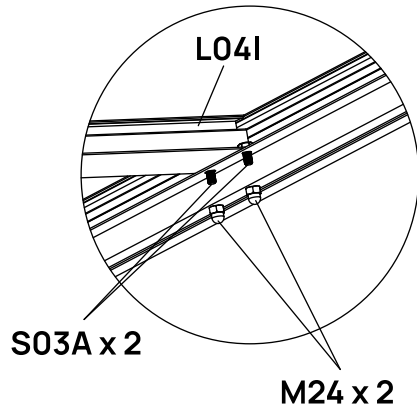
STEP
10

Install the vent support frames and manual vent openers as shown.

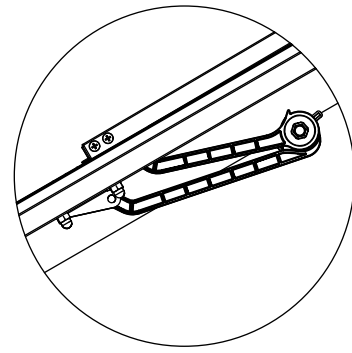
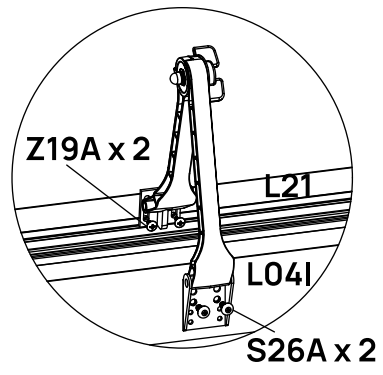
BOX	PART	NO	QTY
ALBOX-3		L04I	8
ALBOX-3		A111	8
Pre-installed		S26A M5X12	16
ALBOX-3		S03A M6X10	32
ALBOX-3		M24 M6	32
ALBOX-3		Z19A M4.2X10	16



2


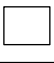
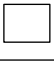



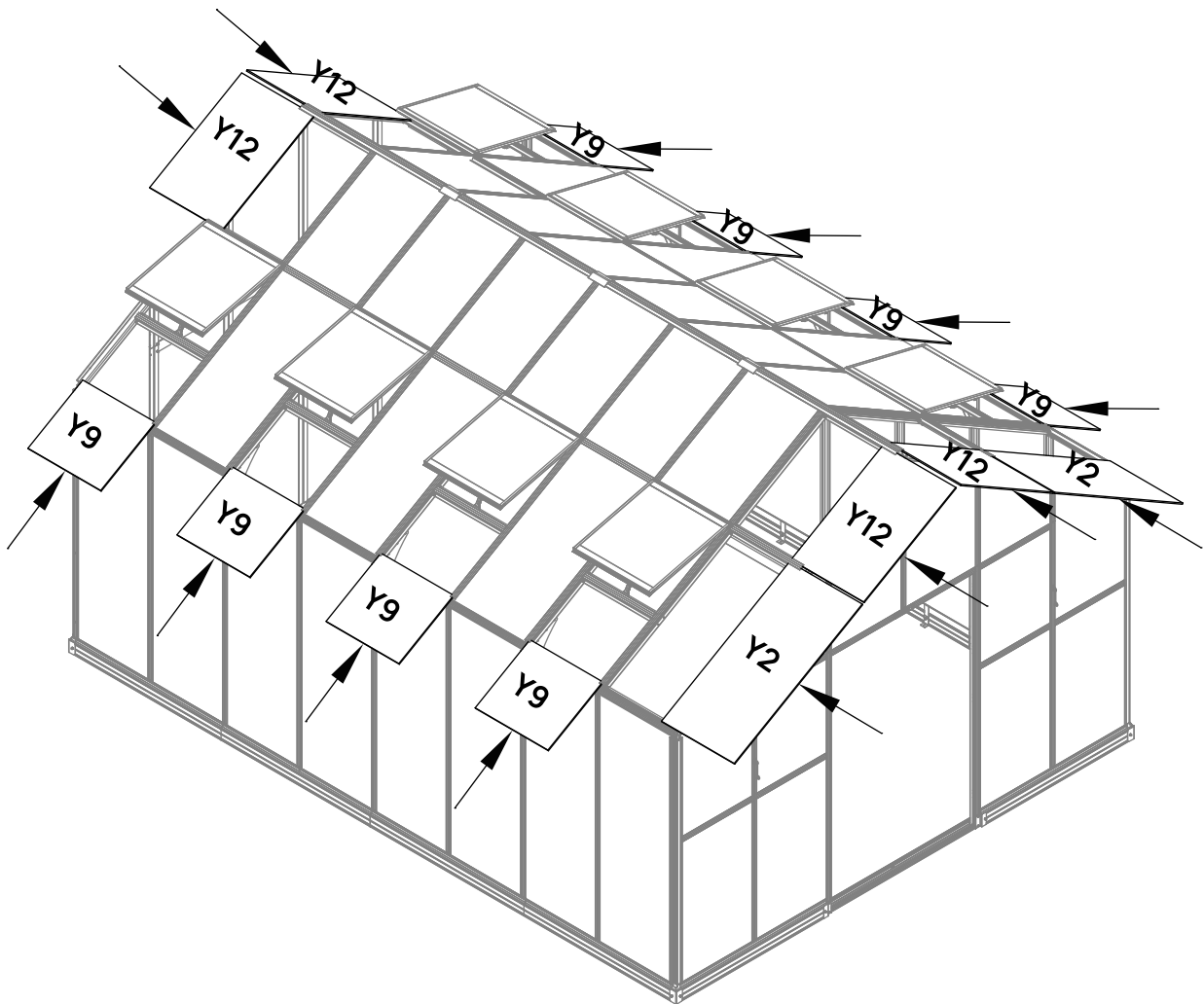
3



STEP
11

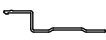

Insert the last Y9, Y12 and Y2 panels as shown.

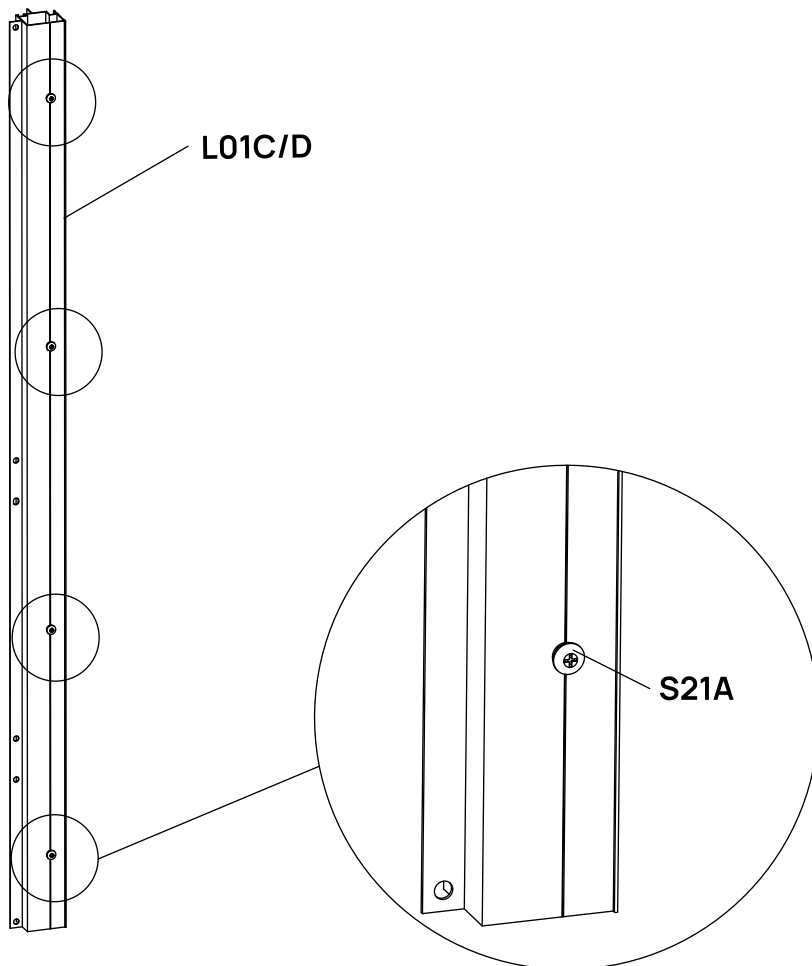
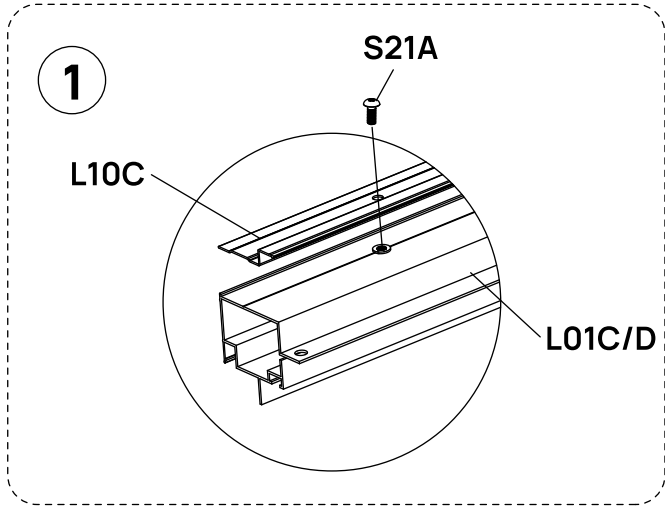
BOX	PART	NO	QTY
PCBOX-1		Y2	2
PCBOX-1		Y9	8
PCBOX-1		Y12	4
PCBOX-3 GLBOX-1		H158 H159	1



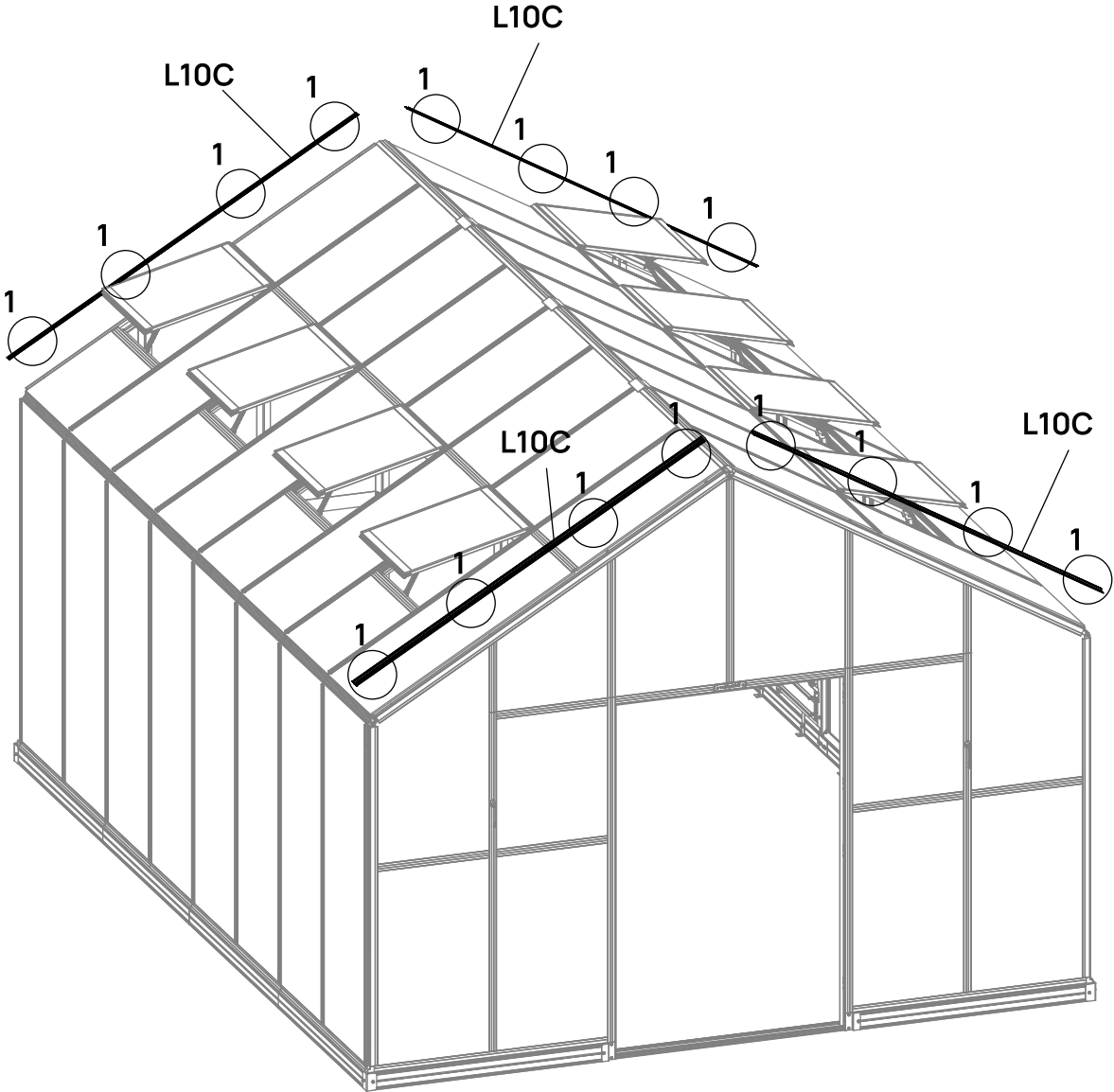
STEP
12

Remove the pre-installed S21A bolts from the front and back L01 gable frames.

BOX	PART	NO	QTY
ALBOX-1		L10C	4
Pre-installed		S21A M6X10	16






Attach L10C cover frames onto L01 frames to secure the outermost PC panels as shown, using the removed S21A bolts.

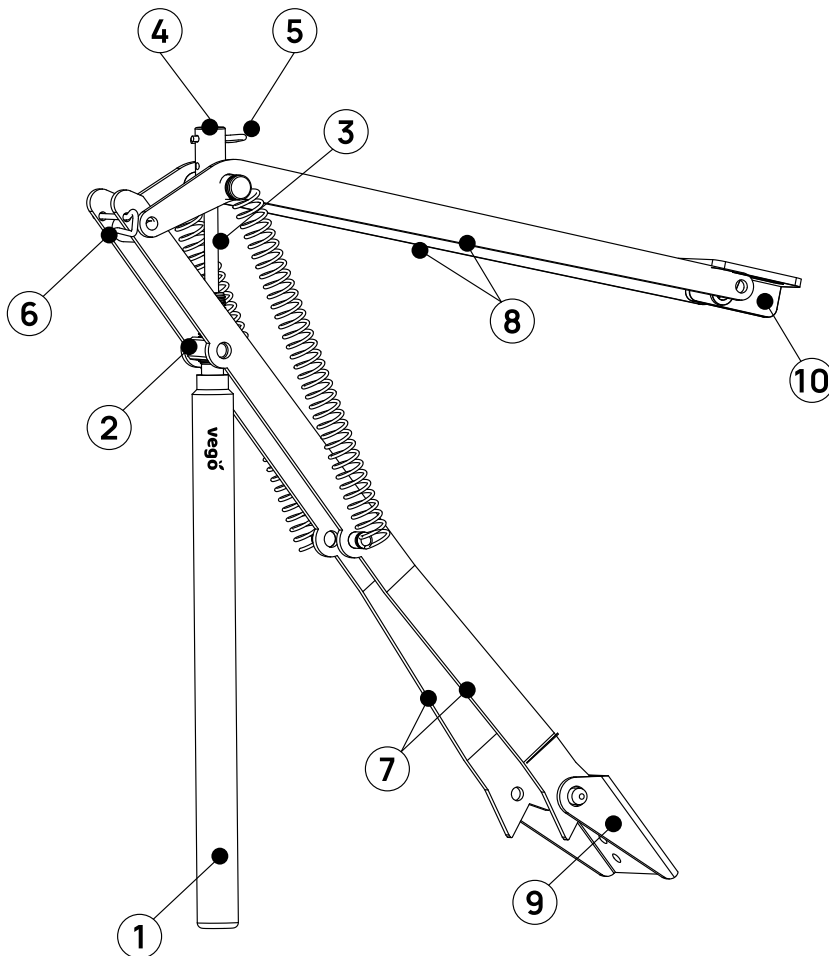


Auto Vent Opener Assembly

STEP 01

Assemble 2 sets of H244 Auto Vent openers as shown.

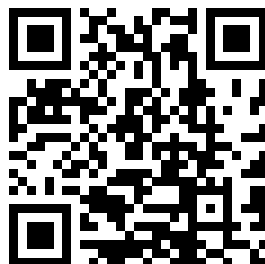
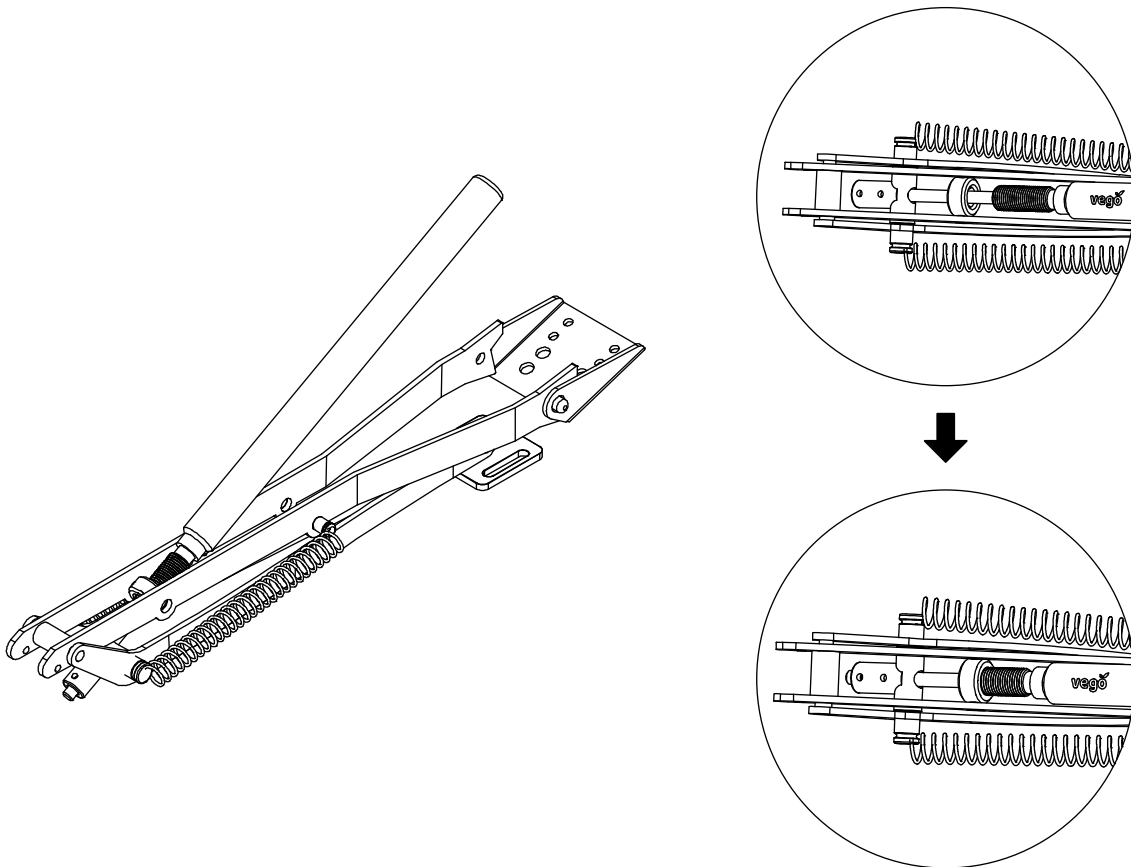
BOX	PART	NO	QTY
ALBOX-3		H244	2
Pre-installed		S26A M5X12	4
ALBOX-3		Z19A M4.2X10	4



- ① Cylinder
- ② Cylinder Housing
- ③ Piston Rod
- ④ Clutch T
- ⑤ Hair Pin
- ⑥ Stop Pin
- ⑦ Arm B
- ⑧ Arm A
- ⑨ Frame Bracket
- ⑩ Vent Bracket

Thread the Cylinder through the Cylinder Housing so that the end of the Piston Rod enters the Clutch T.

Tips: For easy assembly, chill the cylinder at a temperature below 41°F for 15–20 minutes to reduce tension.



vegogarden.com

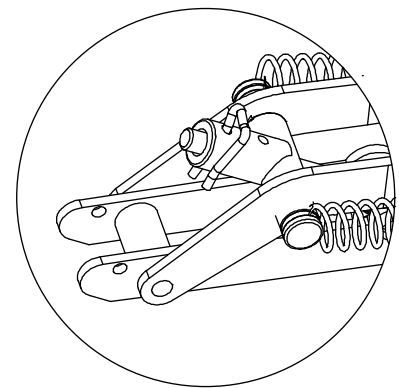
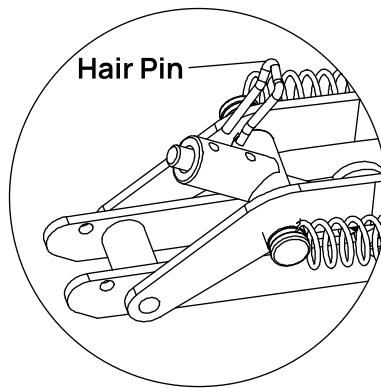
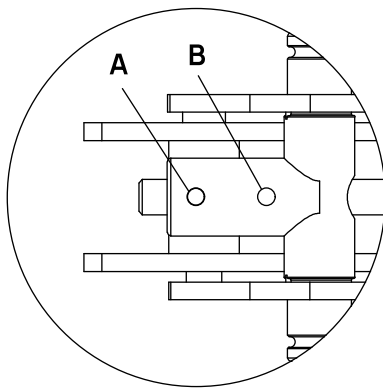
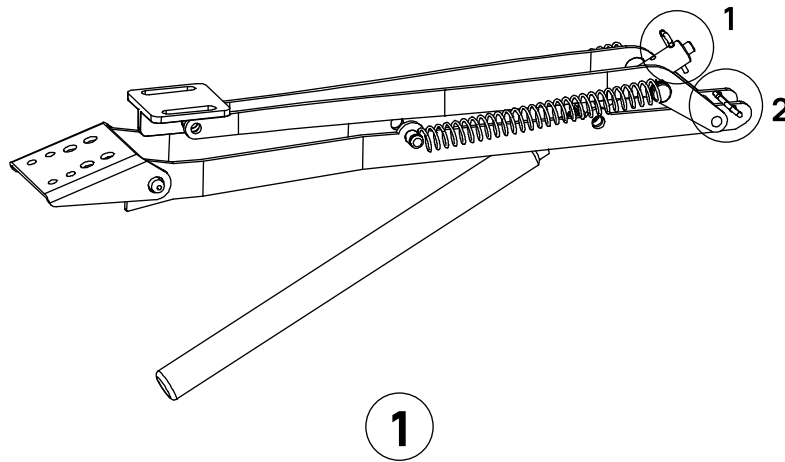
STEP
02

If the maximum vent opening measures more than 16.5 inches, place the Hair Pin into hole A.

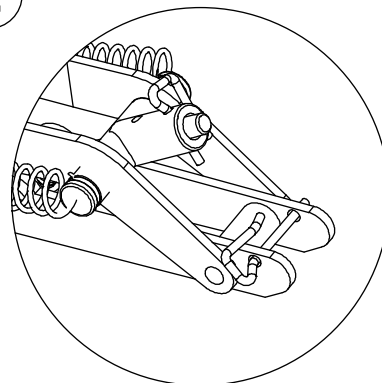
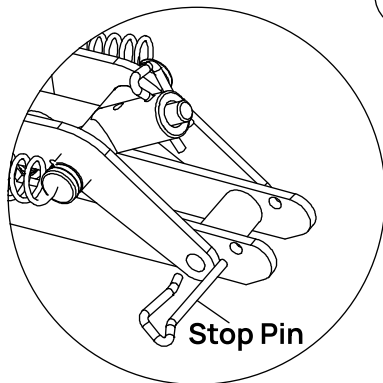
If the maximum opening measures less than 16.5 inches, place the Hair Pin into hole B.

Insert the longer Stop Pin into the end of into the end of Arm B frame as shown in blue.

Note: Do not install Stop Pin until Hair Pin has been installed.

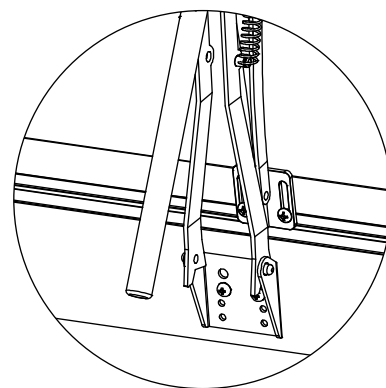
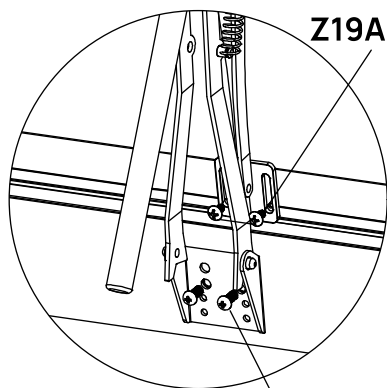
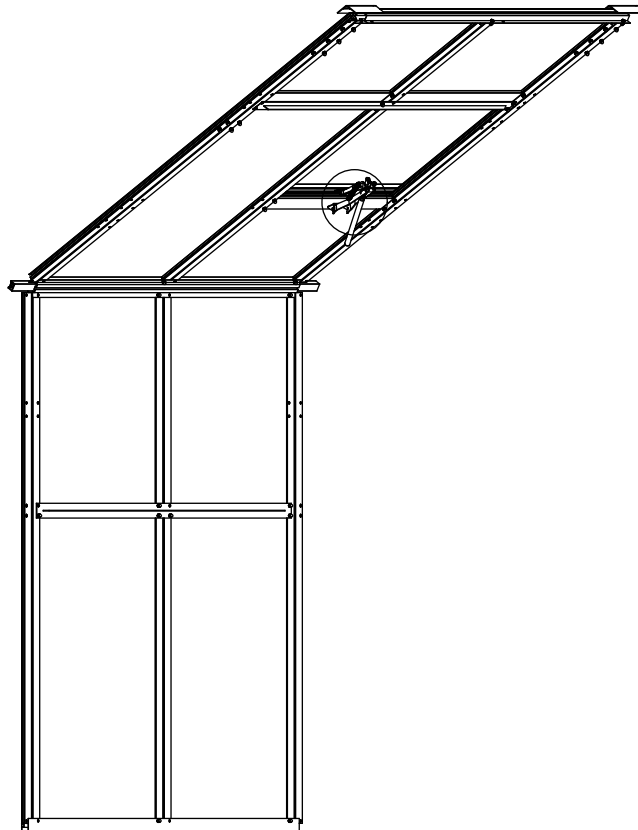


2



STEP
03

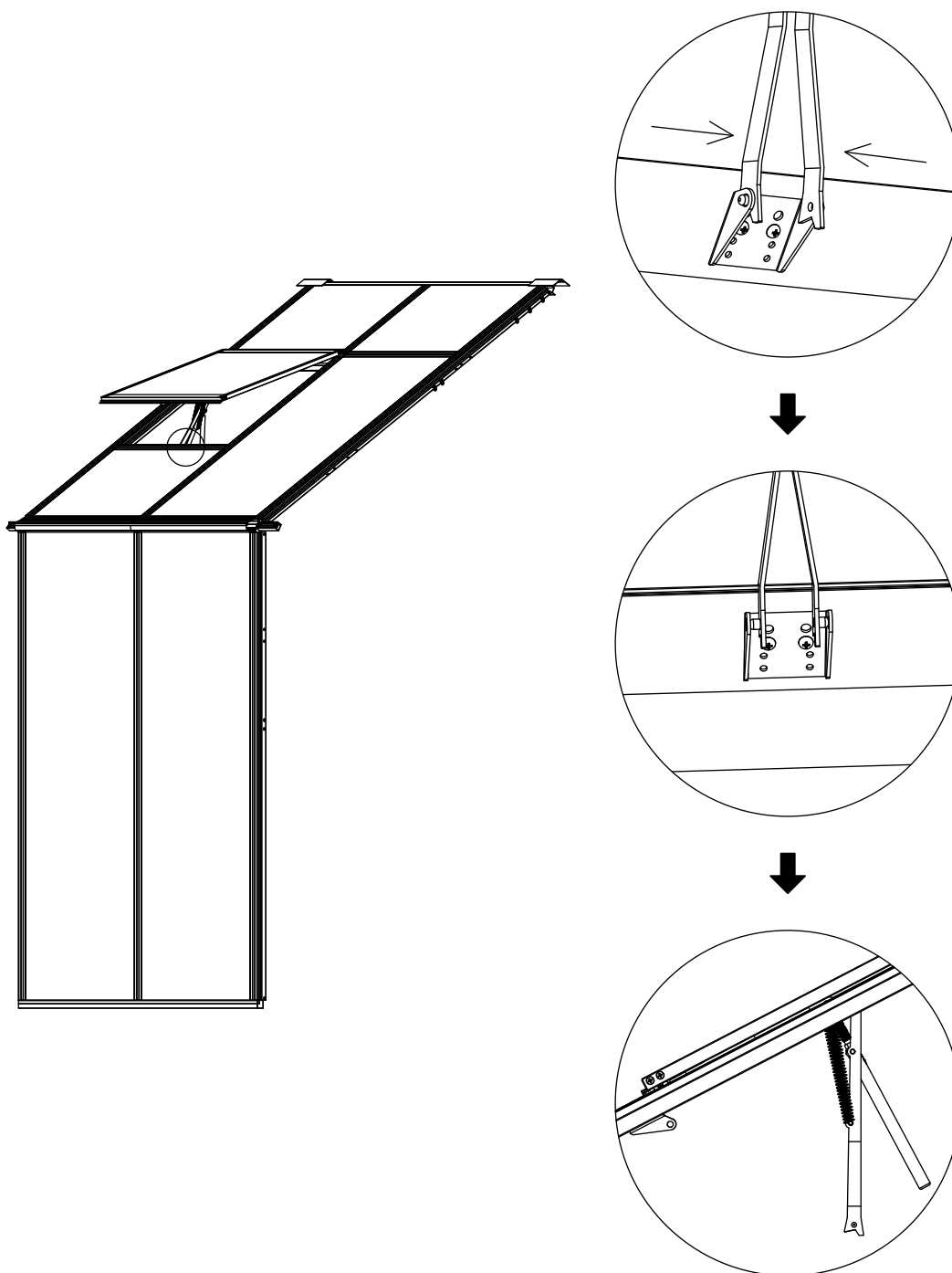
Replace any 2 sets of the manual vent openers with the assembled auto vent openers as shown.



In case of sudden rain, strong winds, or other extreme weather while the auto vent opener is in the open position:

Push the frame arm inward as shown to release it from the bracket and quickly close the vent.




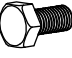

To secure it, tie the opener to a fixed point with a rope during storms to prevent the vent from being blown open.

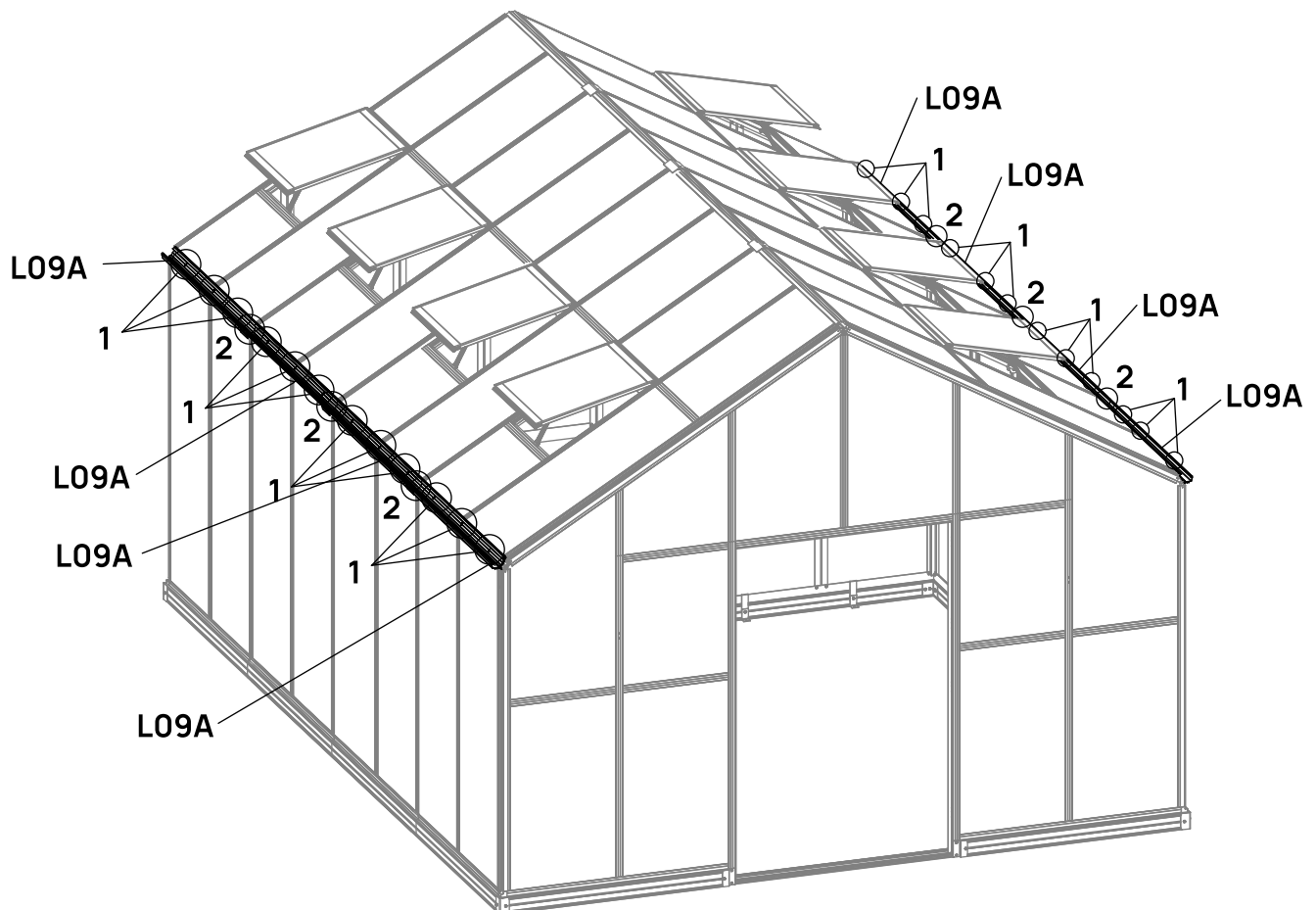


Gutter Assembly

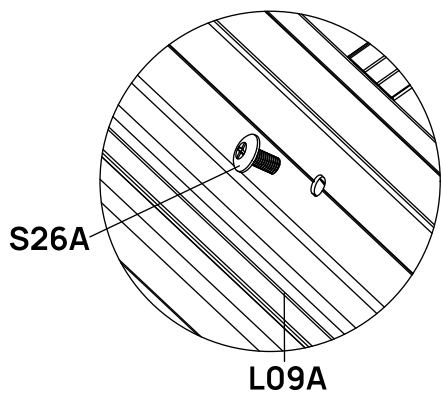
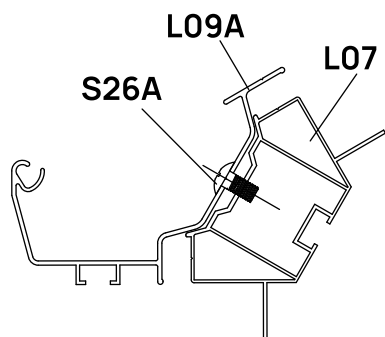
STEP 01

Remove the pre-installed S26A bolts from L07 frames, then attach gutter frames onto eave frames as shown, using S26A.

BOX	PART	NO	QTY
ALBOX-5		L09A	8
ALBOX-3		D25	6
Pre-installed		S26A M5X12	24
ALBOX-3		S03A M6X10	12
ALBOX-3		M24 M6	12

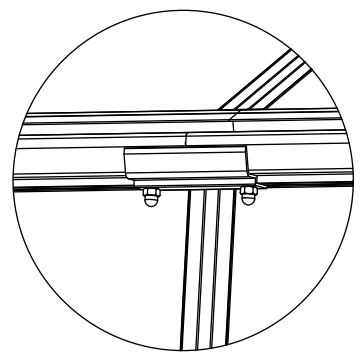
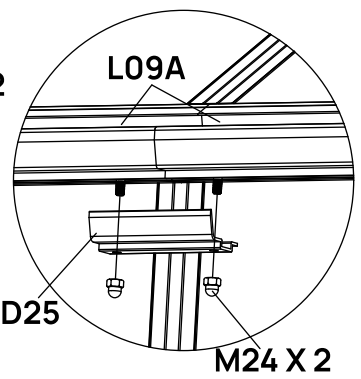
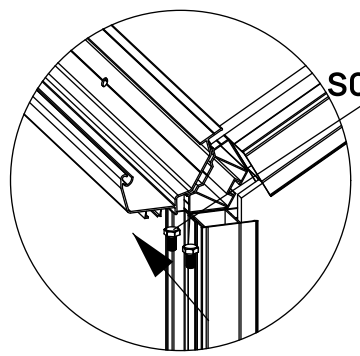


1



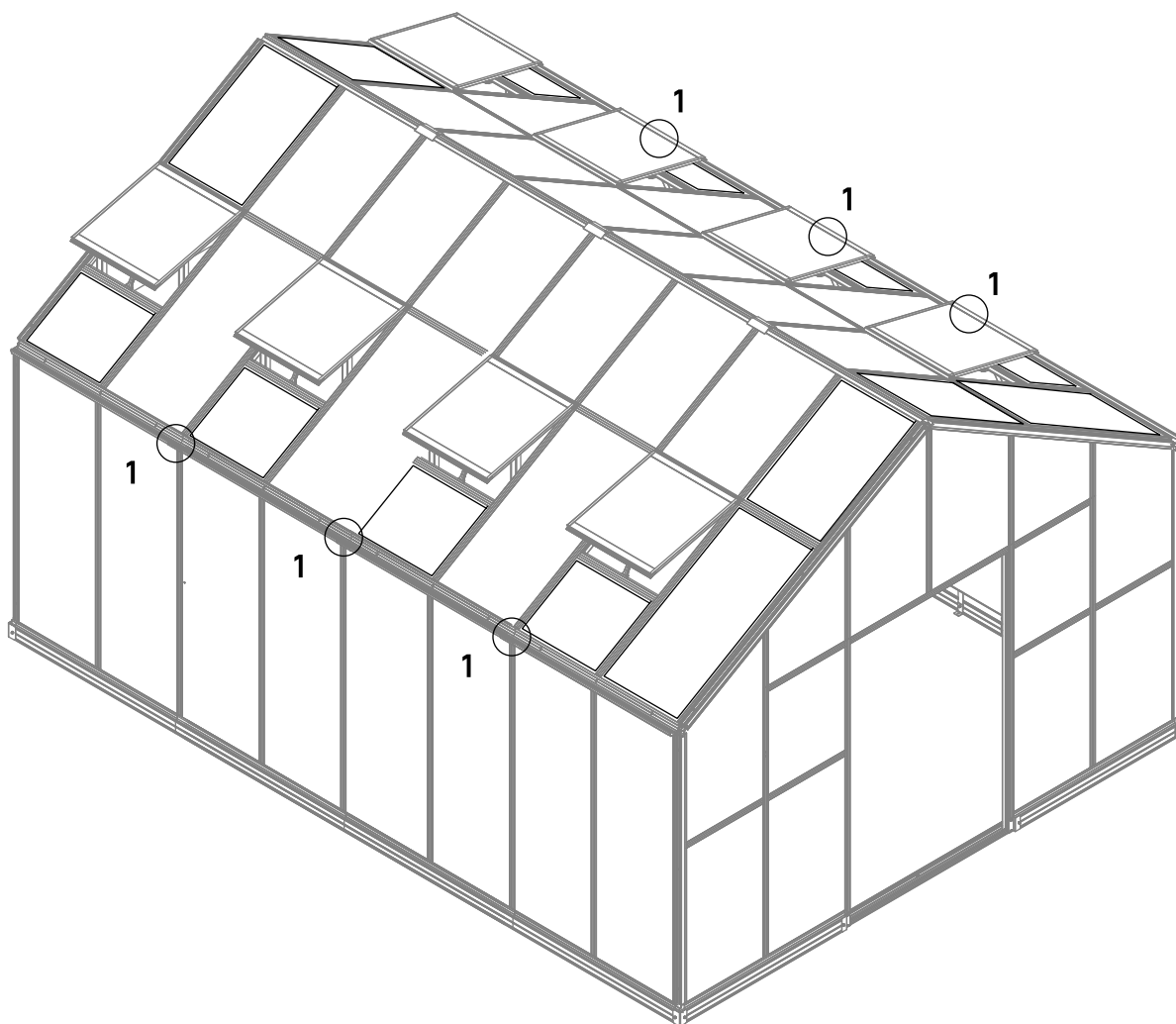
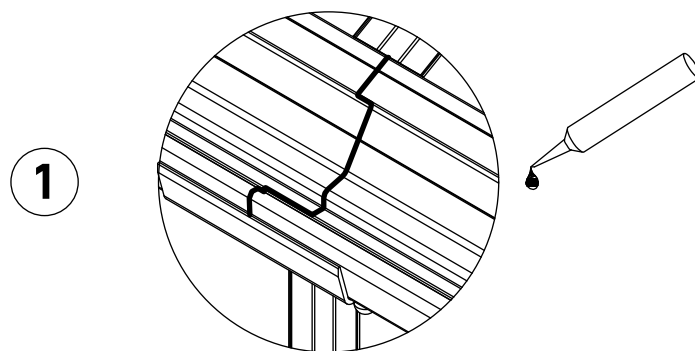
2

Slide S03A bolts in the grooves of the frames, position them as shown in the diagram.
Secure the D25 gutter connectors with M24 nuts.




STEP
02

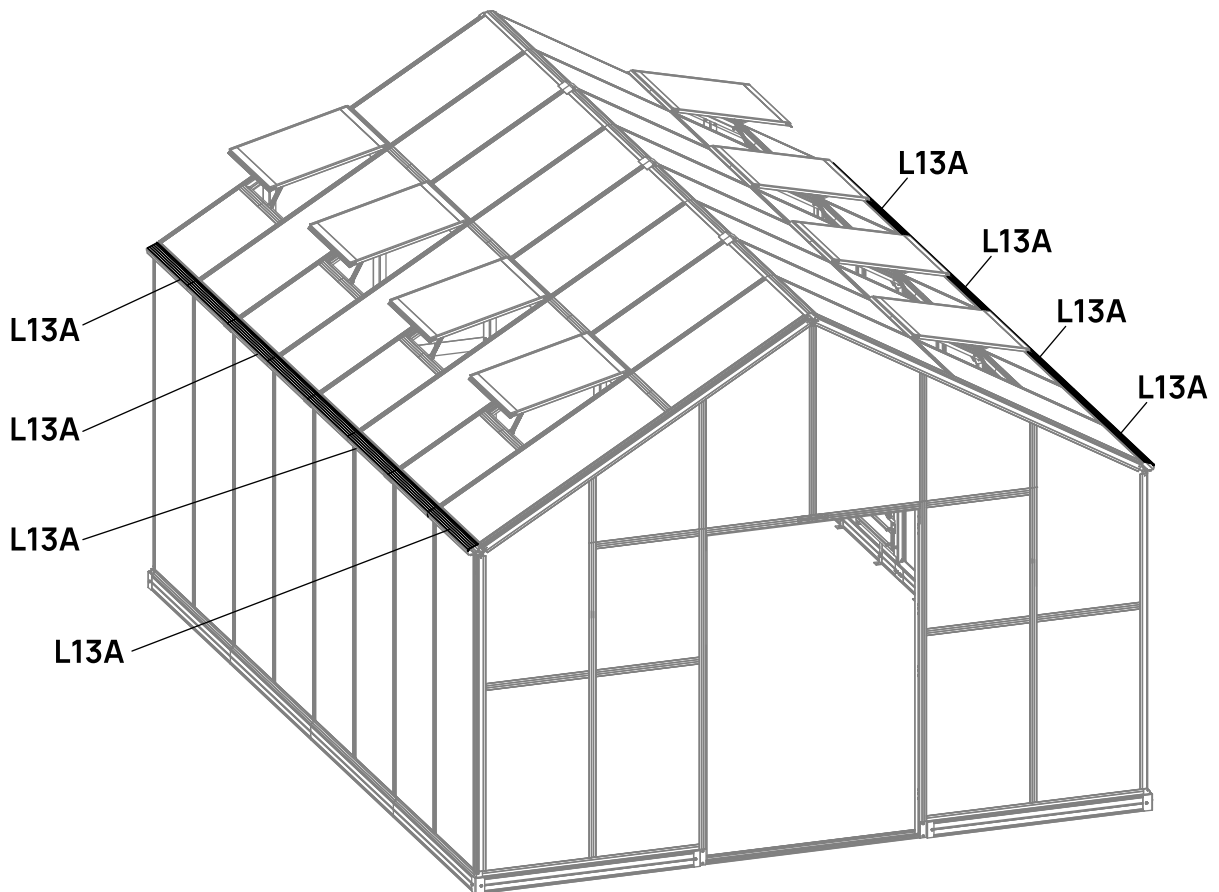
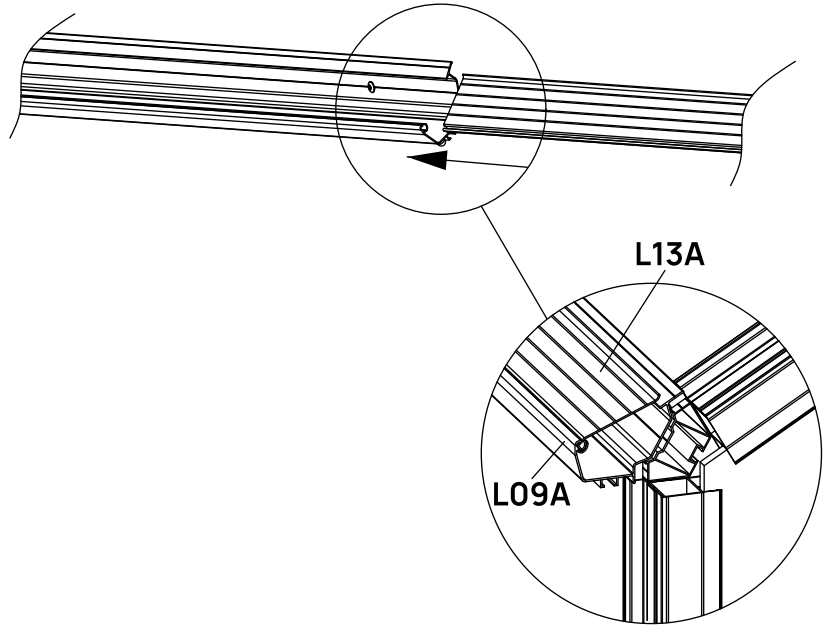
Apply silicone caulk (not included) around all PC panels and the gaps of gutter pieces to seal.



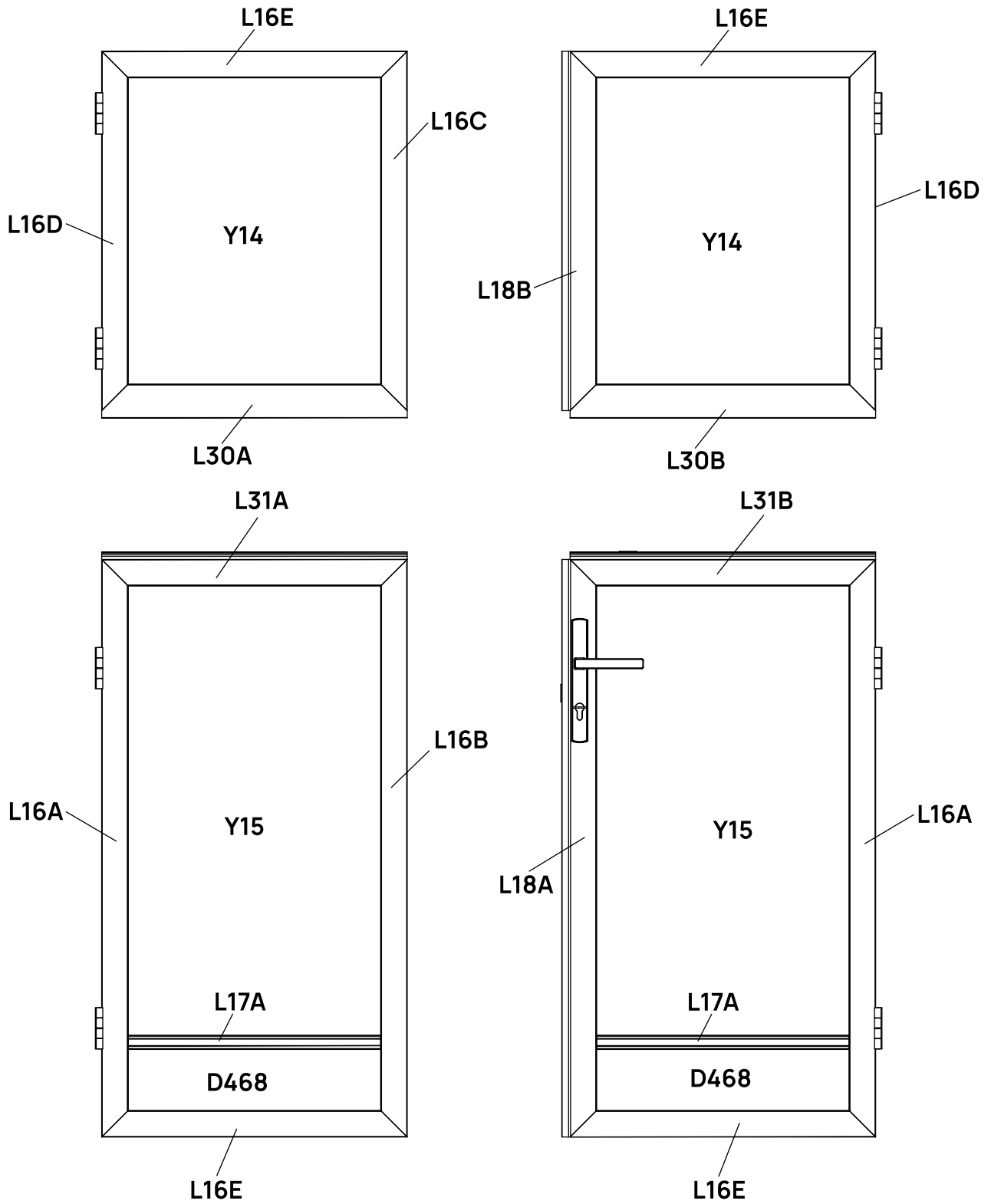
STEP
03

Slide the L13A gutter cover in place as shown, test to make sure the cover can flip open easily.

BOX	PART	NO	QTY
ALBOX-5		L13A	8

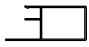




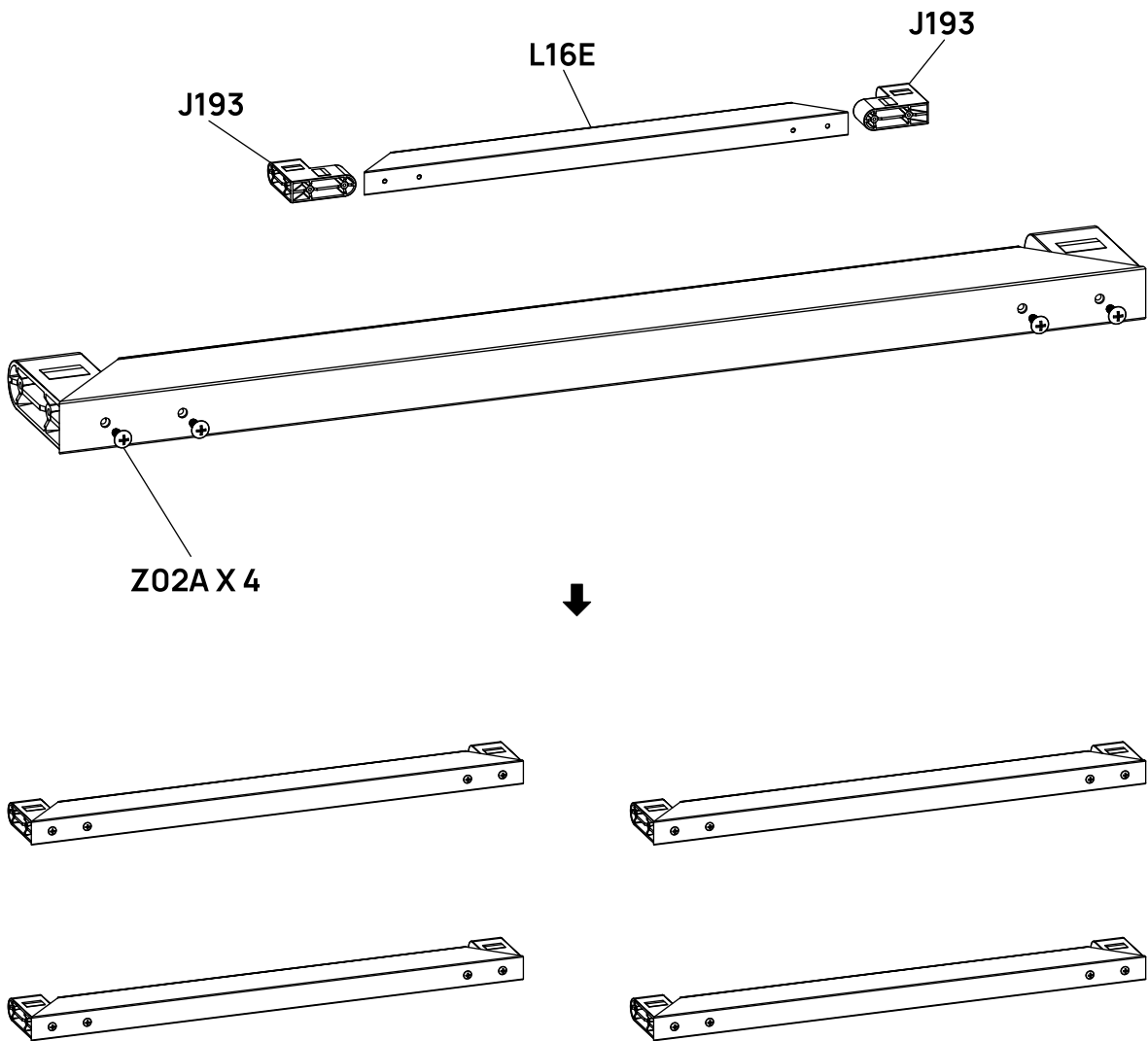
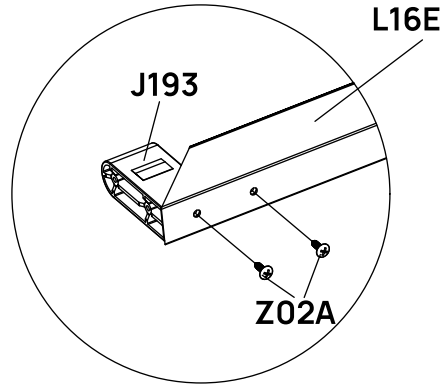
Dutch Door Diagram



STEP
01

Assemble 4 sets of L16E pieces as shown, attach J193 pieces to each ends and secure with Z02A screws.

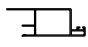
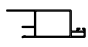
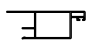
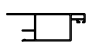


BOX	PART	NO	QTY
ALBOX-3		L16E	4
ALBOX-3		J193	8
ALBOX-3		Z02A Ø4X16D	16

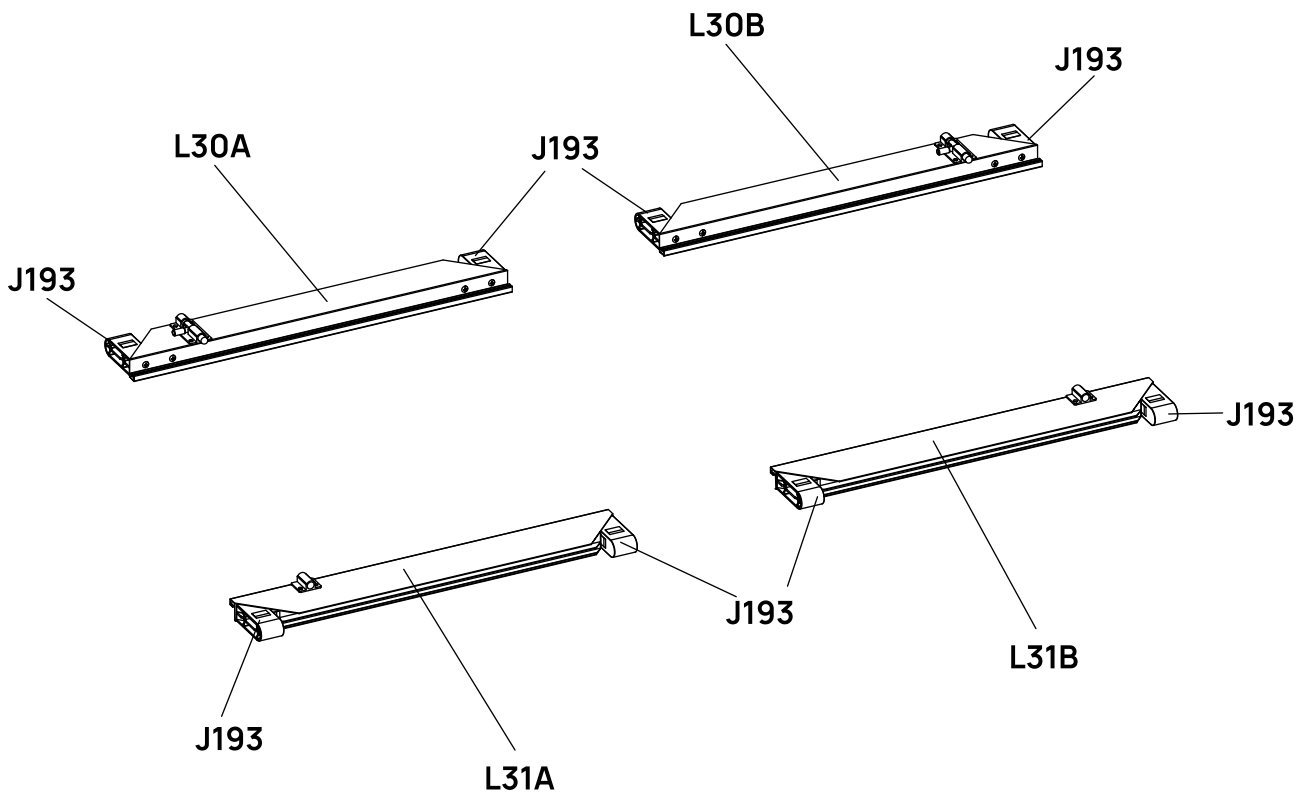
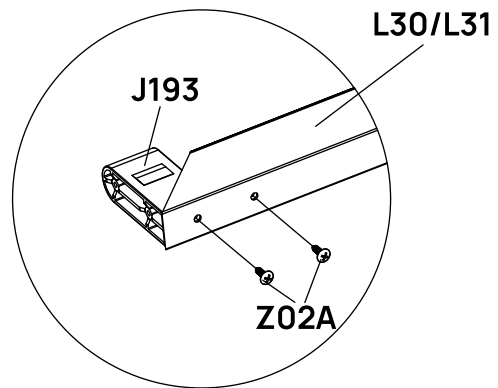


X4

STEP
02

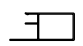

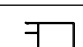
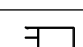
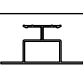

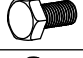

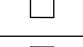


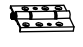
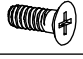
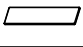
Assemble L30A, L30B, L31A and L31B in the same way as shown.

BOX	PART	NO	QTY
ALBOX-3		L30A	1
ALBOX-3		L30B	1
ALBOX-3		L31A	1
ALBOX-3		L31B	1
ALBOX-3		J193	8
ALBOX-3		Z02A Ø4X16D	16

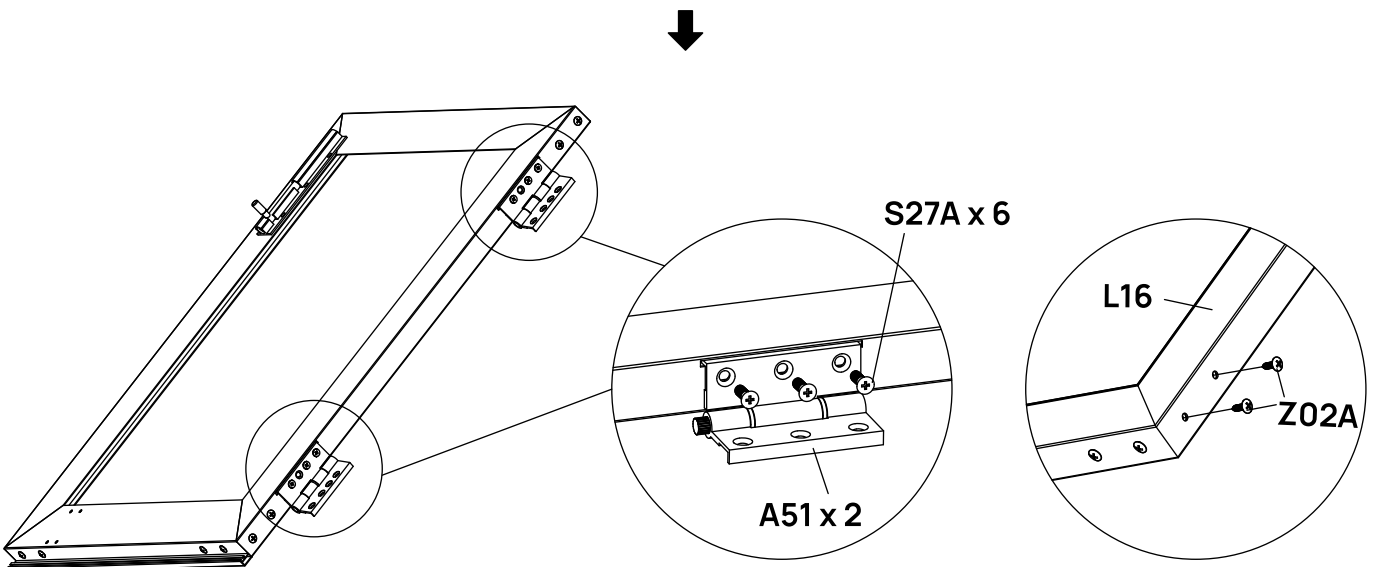
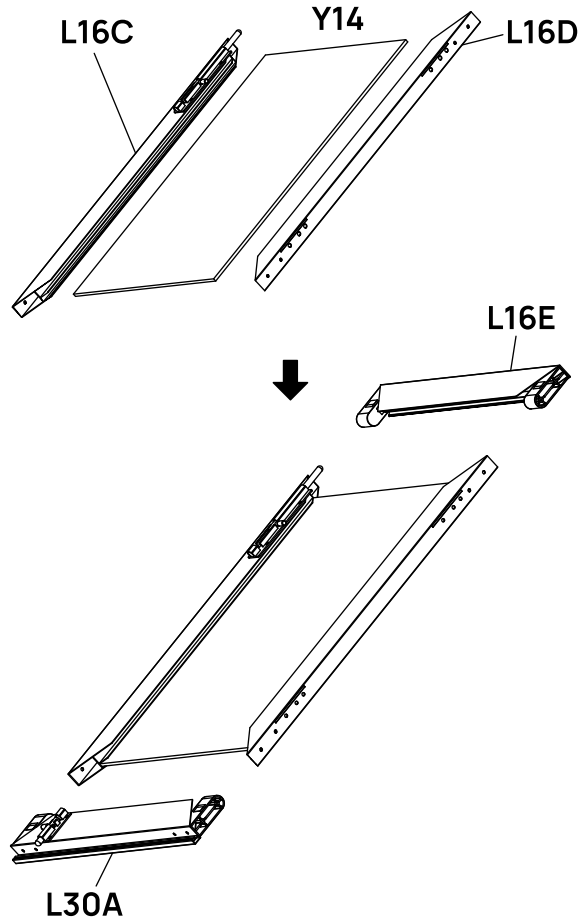


STEP
03

Assemble the upper-left door using Z02A screws, then attach the hinges as shown.

BOX	PART	NO	QTY
ALBOX-4		L16A	1
ALBOX-4		L16B	1
ALBOX-3		L16C	1
ALBOX-3		L16D	1
ALBOX-3		L17A	1
ALBOX-3		Z02A Ø4X16D	16
ALBOX-3		S03A M6X10	2
ALBOX-3		M24 M6	2
PCBOX-2 GLBOX-1		Y14	1
PCBOX-2 GLBOX-1		Y15	1
PCBOX-3 GLBOX-1		H158 H159	1
ALBOX-3		A51	4
Pre-installed		S27A M4.8X16	12
ALBOX-3		D468	1

Upper-left door

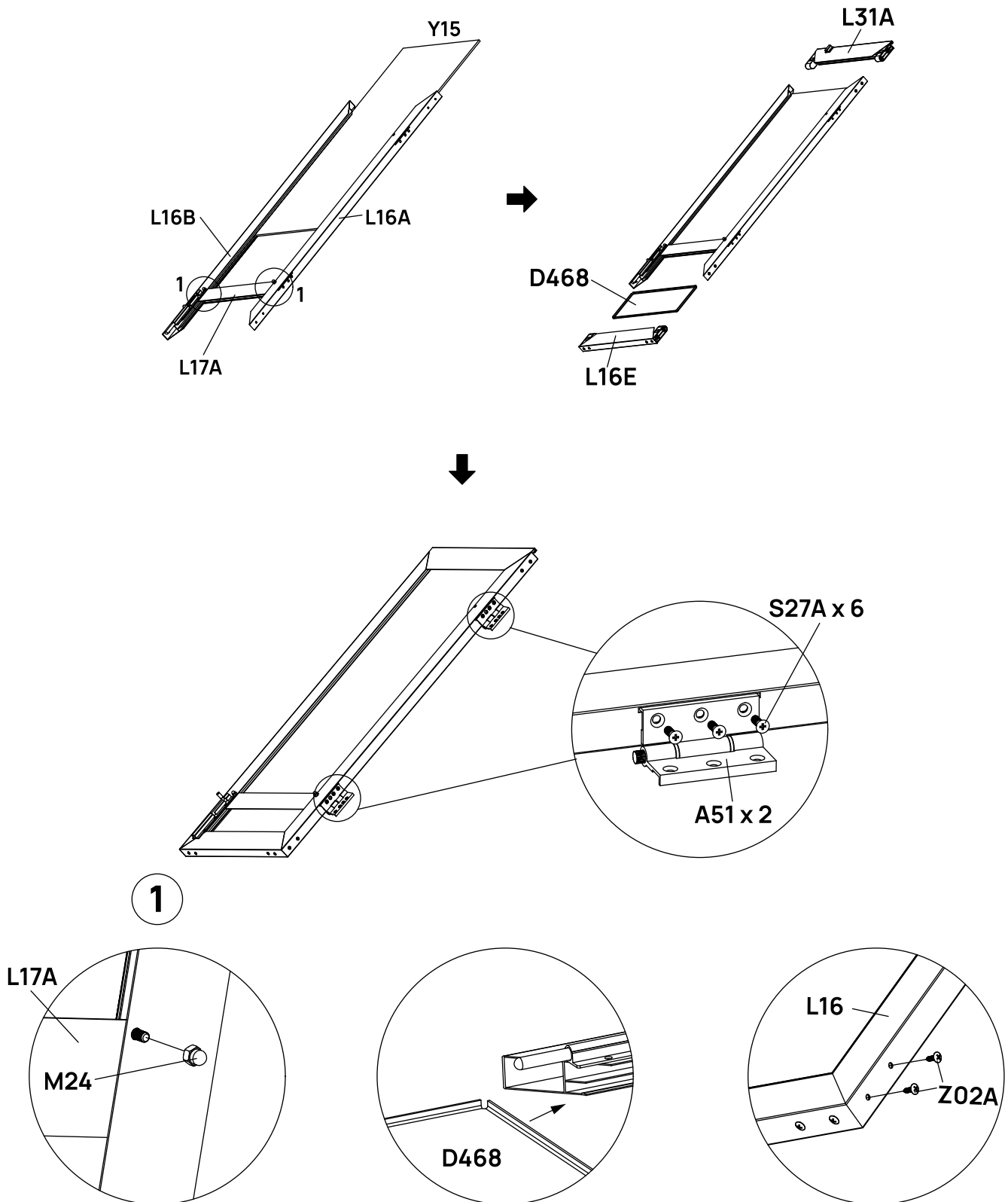


STEP
04

Assemble the lower-left door as shown, secure the L17A frame and D468 aluminum plate at the bottom.

Finally attach the hinges as shown.

Lower-left door

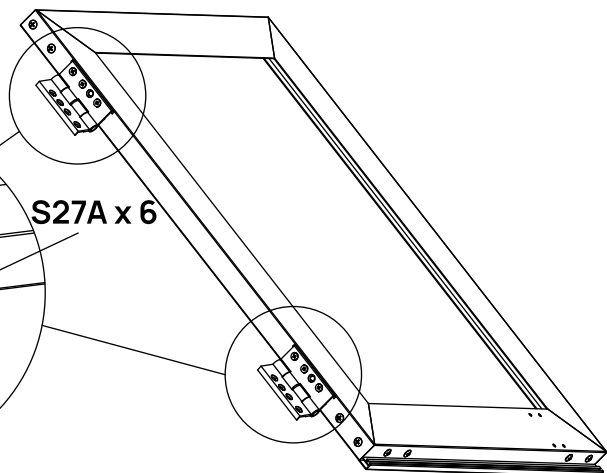
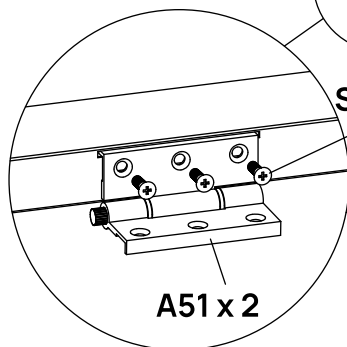
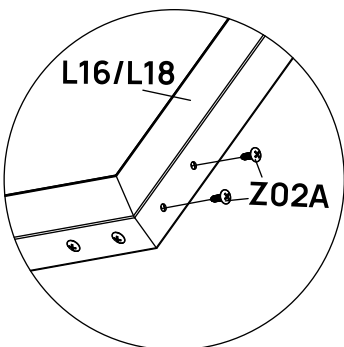
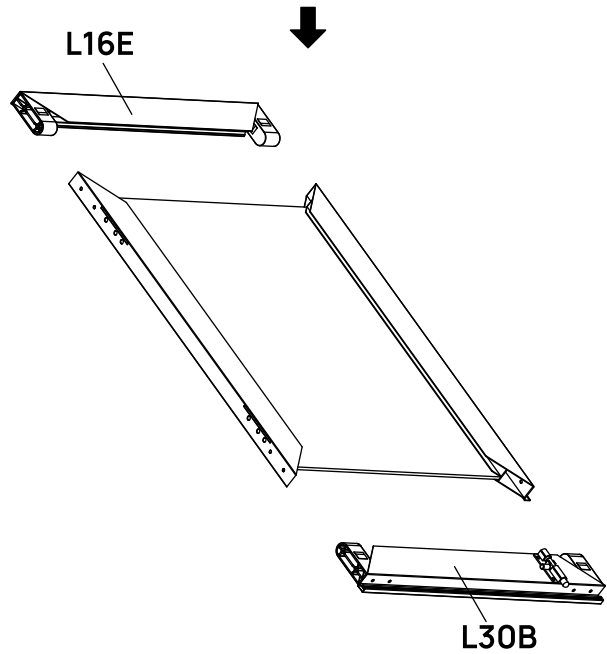
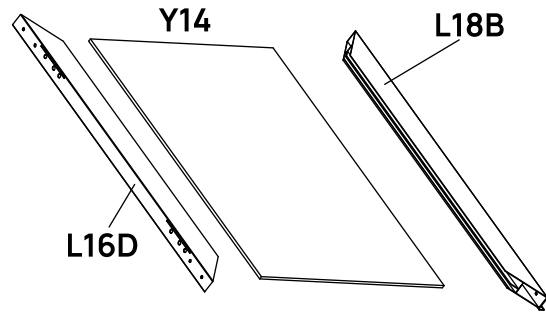


STEP
05

Assemble the upper-right door using Z02A screws, then attach hinges as shown.

BOX	PART	NO	QTY
ALBOX-4		L16A	1
ALBOX-3		L16D	1
ALBOX-4		L18A	1
ALBOX-3		L18B	1
ALBOX-3		L17A	1
ALBOX-3		Z02A Ø4X16D	16
ALBOX-3		S03A M6X10	2
ALBOX-3		M24 M6	2
PCBOX-2 GLBOX-1		Y14	1
PCBOX-2 GLBOX-1		Y15	1
PCBOX-3 GLBOX-1		H158 H159	1
ALBOX-3		A51	4
Pre-installed		S27A M4.8X16	12
ALBOX-3		D468	1

Upper-right door

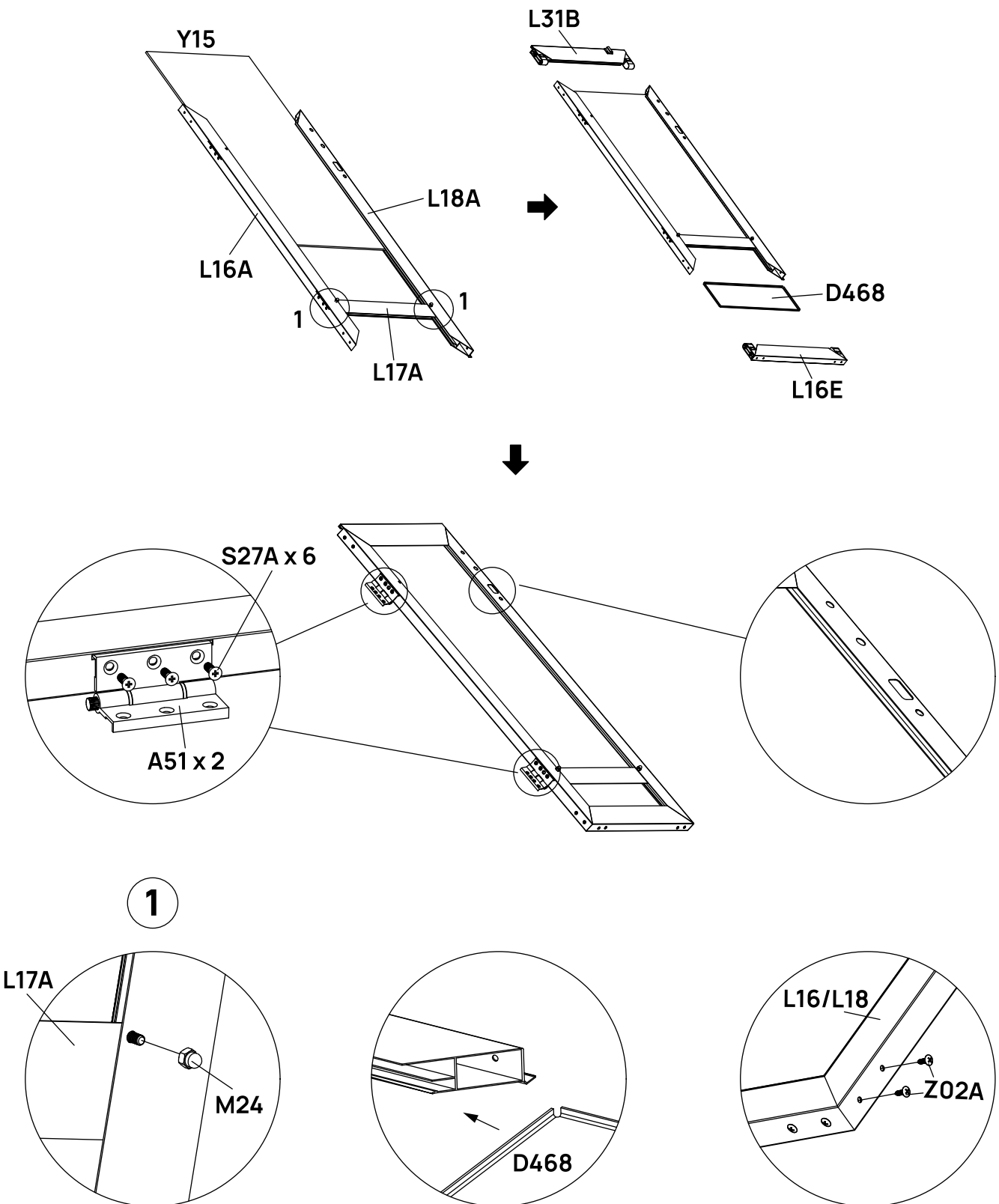


STEP
06

Assemble the lower-right door as shown, secure the L17A frame and D468 aluminum plate at the bottom.





Finally attach the hinges as shown.

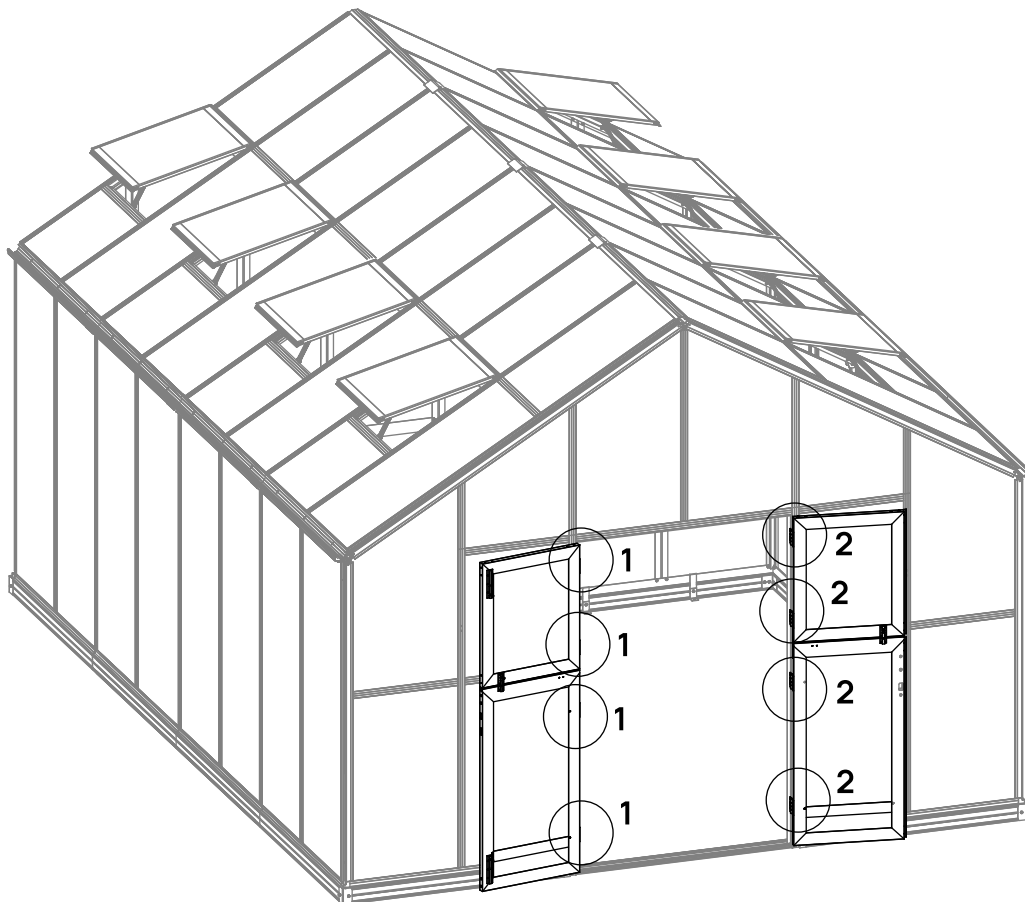
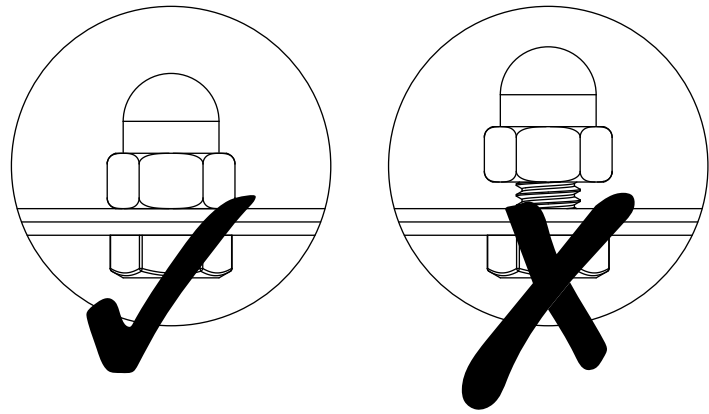
Lower-right door (with lock holes)



STEP
07

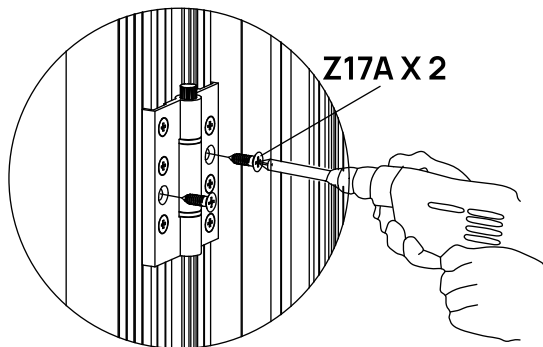
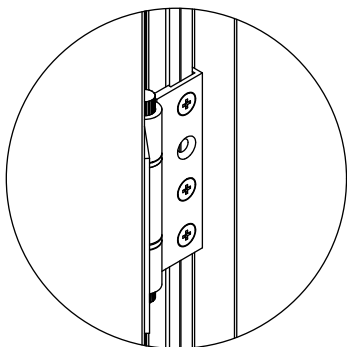
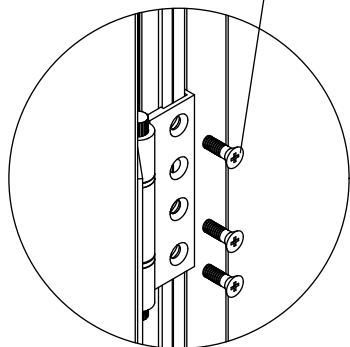
Remove S27A bolts from the L03 door frames. Hold the door in place, affix the hinges to the door frames, and secure them with S27A bolts. Finally, reinforce the structure with Z17A screws.

BOX	PART	NO	QTY
		DOOR-L	1
		DOOR-R	1
ALBOX-3		Z17A M4.8X16	16
Pre-installed		S27A M4.8X16	24



1

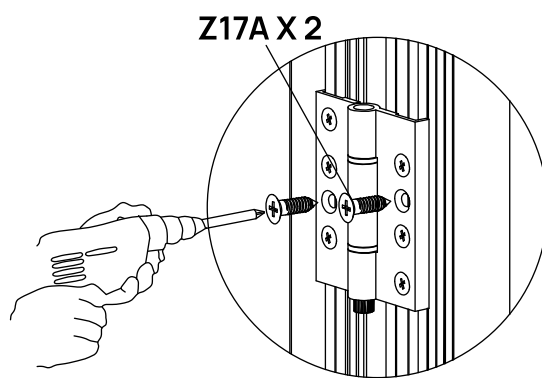
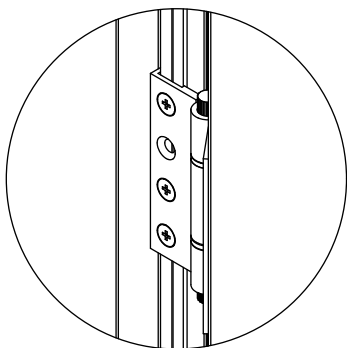
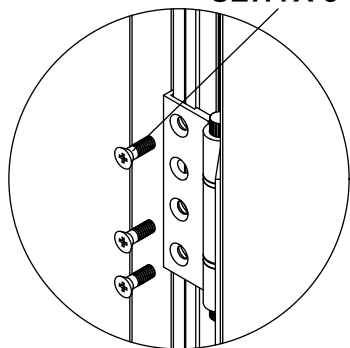
S27A X 6



Z17A X 2

2


S27A X 6

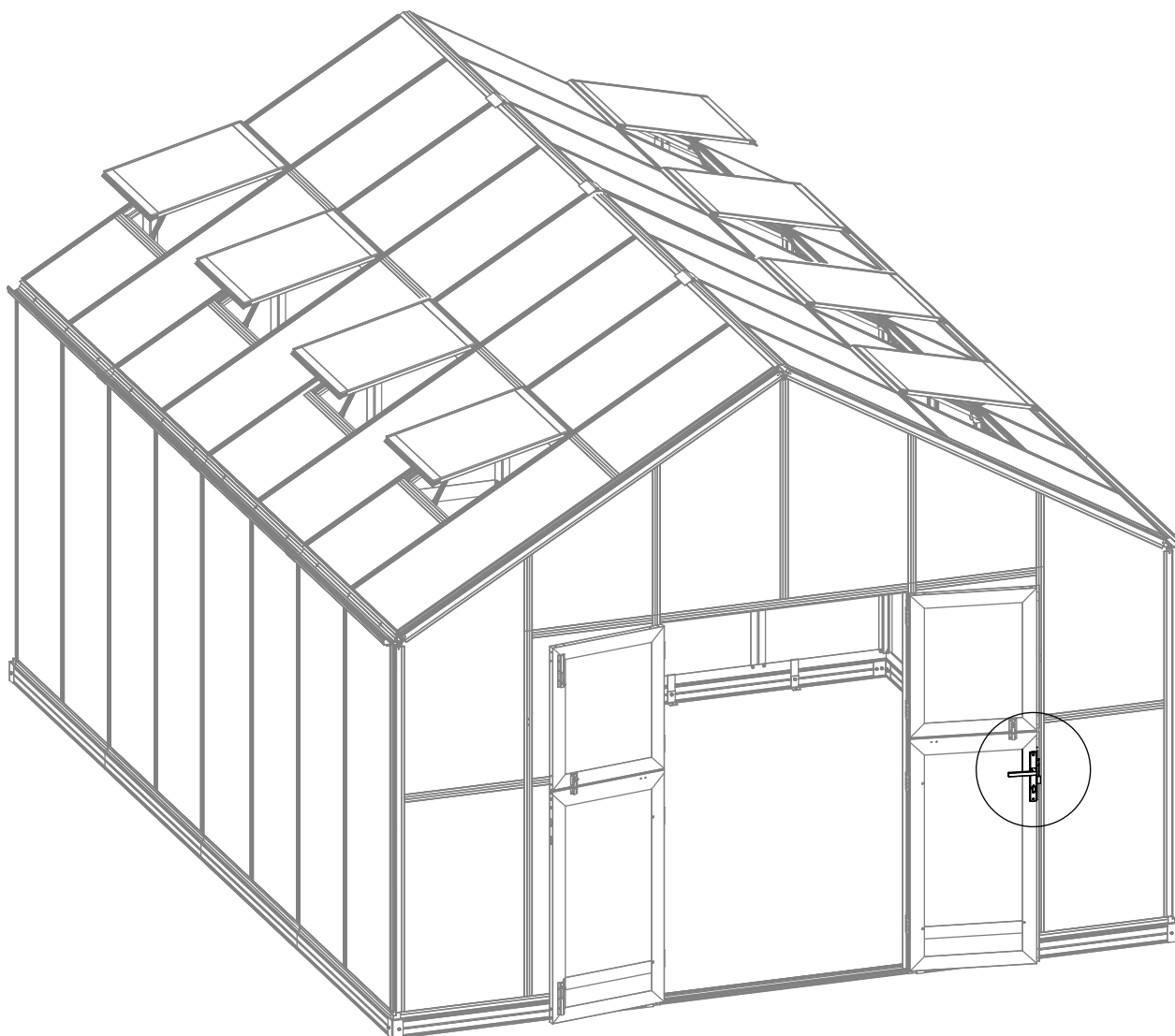


Z17A X 2

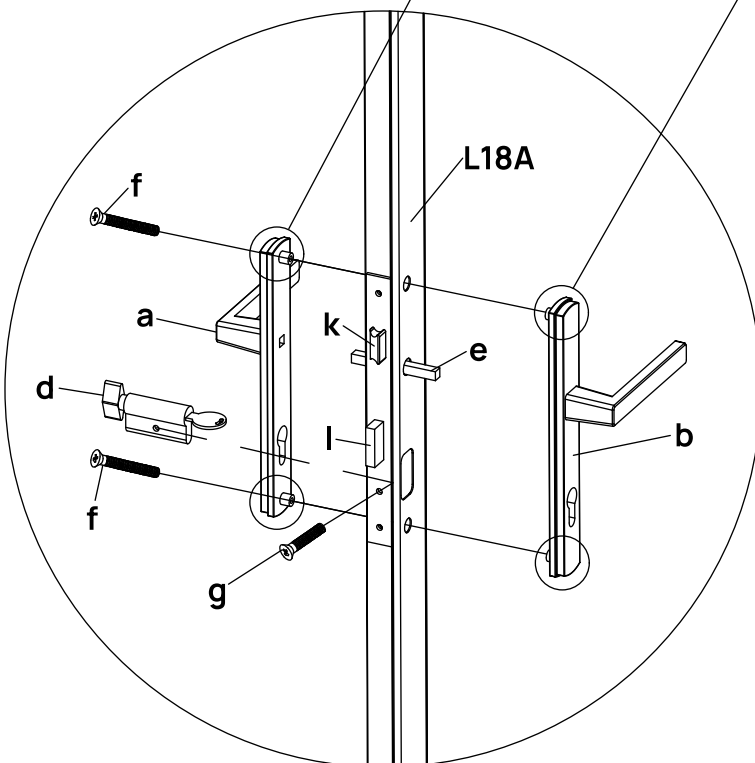
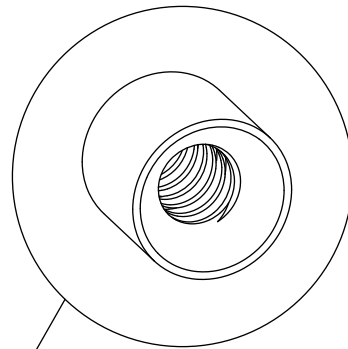
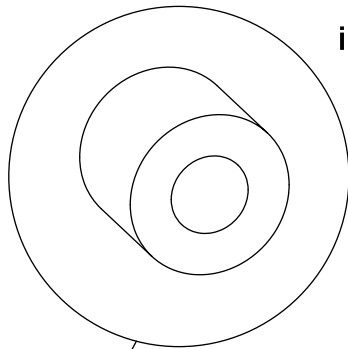
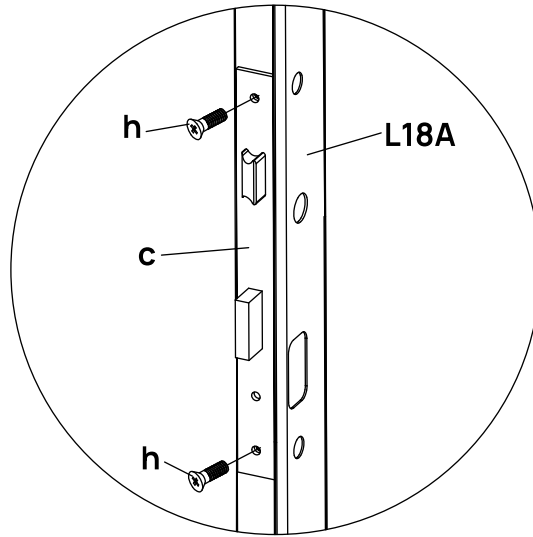
STEP
08

Lock installation.

BOX	PART	NO	QTY
ALBOX-4		H199	1




Disassemble the door lock and install it onto the right door. Make sure the keyhole faces outward and the handle rests horizontally as shown.

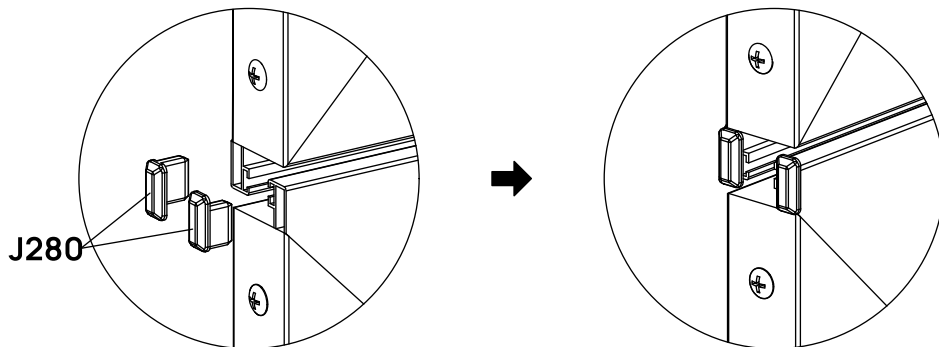
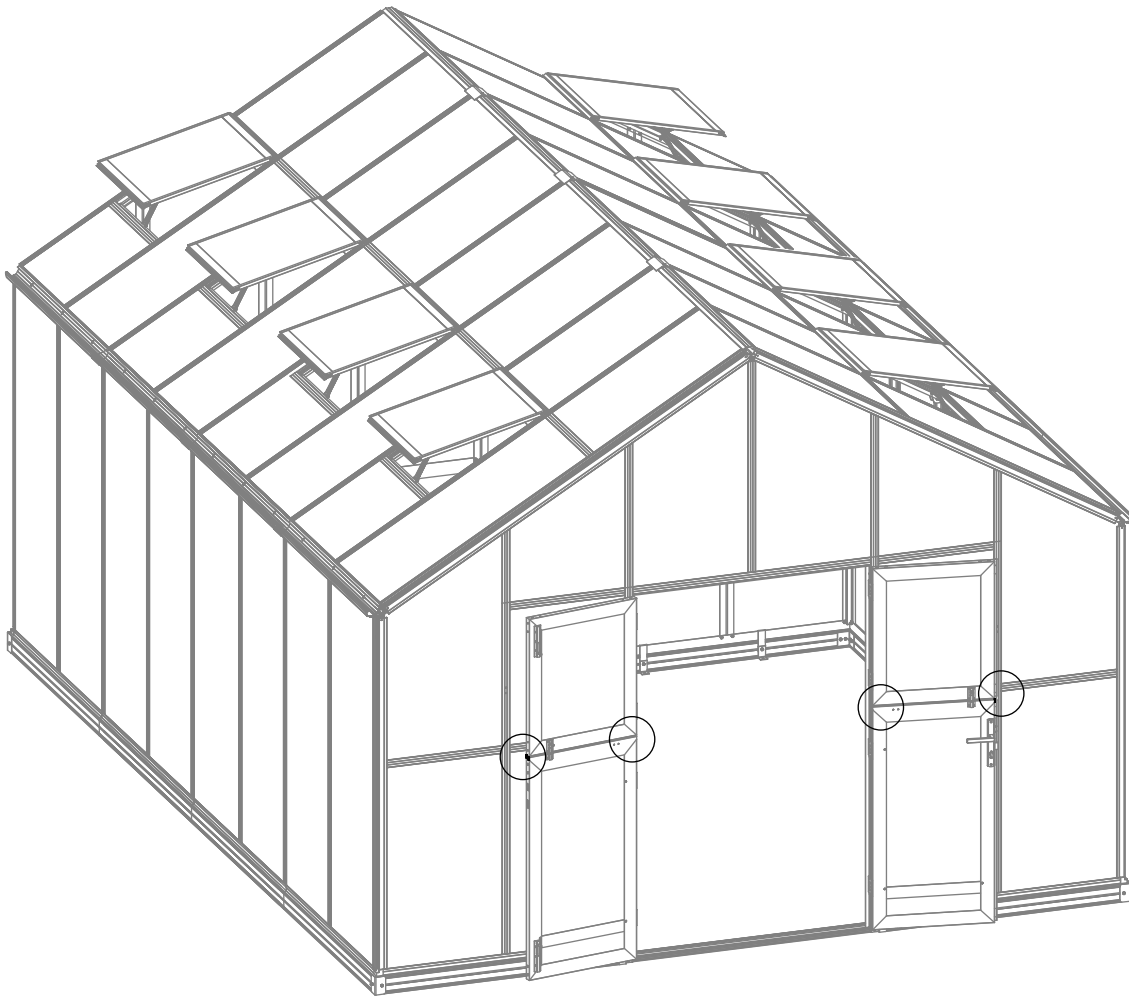


- a:** Interior Backplate with handle
- b:** Active Exterior Backplate with handle
- c:** Latch Plate
- d:** Lock Cylinder
- e:** Knob Spindle
- f:** Blackplate Bolt
- g:** Lock Cylinder Bolt
- h:** Latch Plate Bolt
- i:** Interior Backplate Nut
- j:** Exterior Backplate Nut with thread
- k:** Latch bolt
- l:** Deadbolt

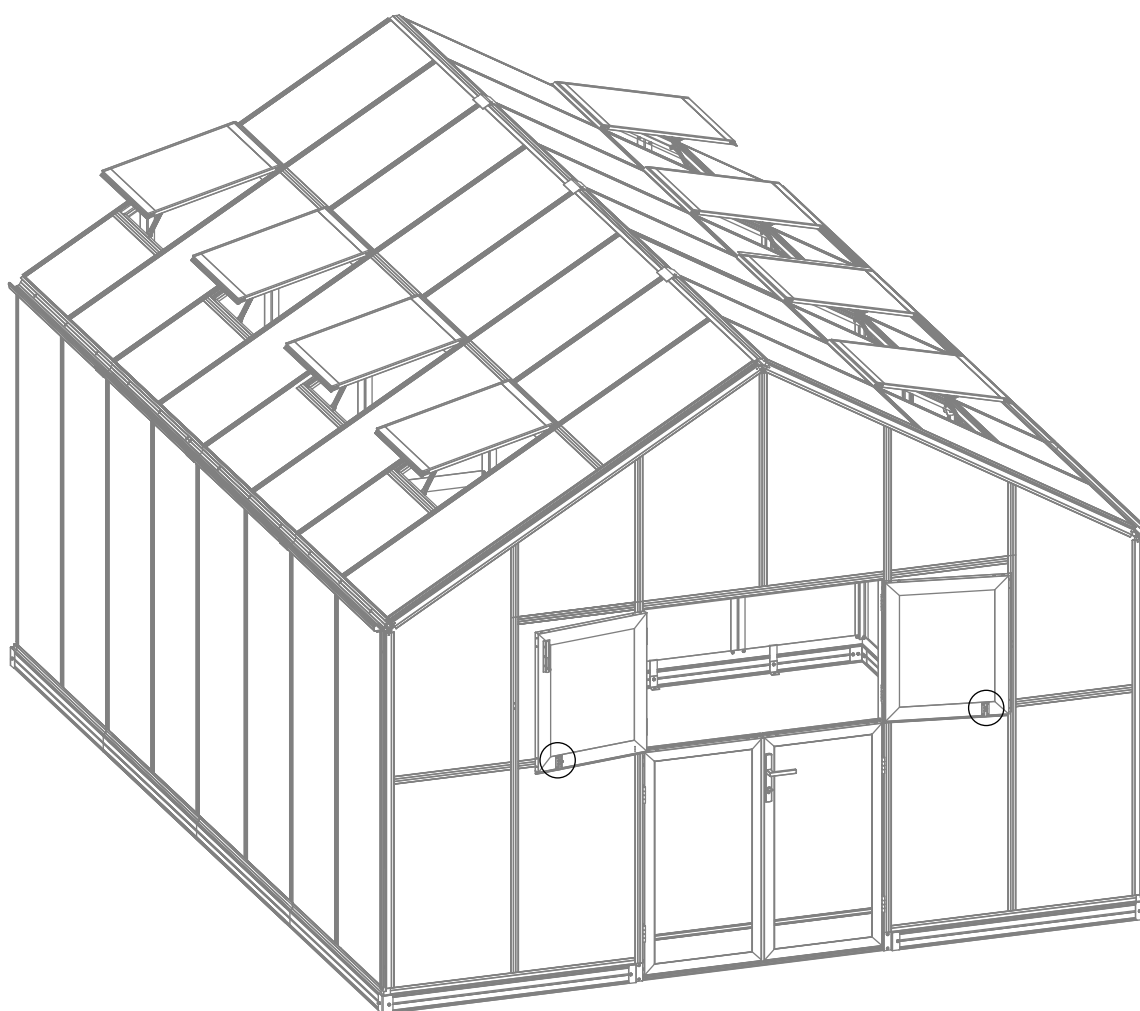
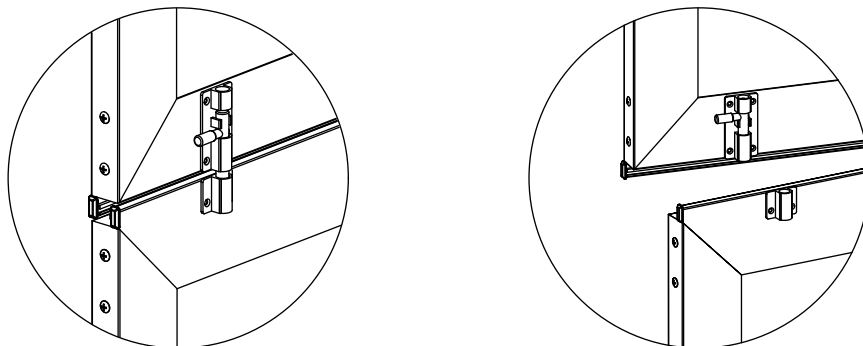
STEP
09

Insert J280 caps to both ends of the door frames as shown.

BOX	PART	NO	QTY
ALBOX-3		J280	8







The upper doors can be opened separately by unlocking the barrel bolt latches.

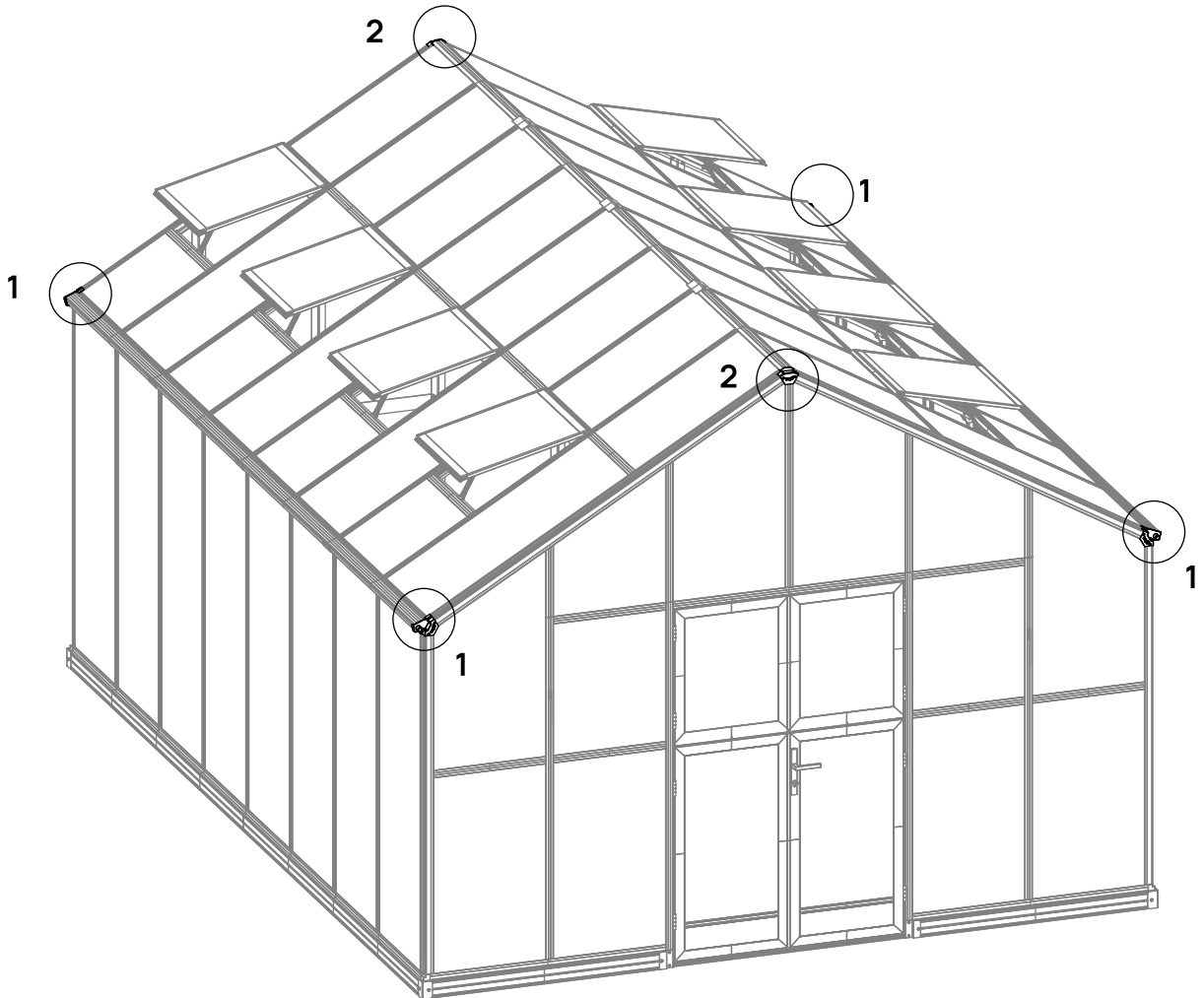
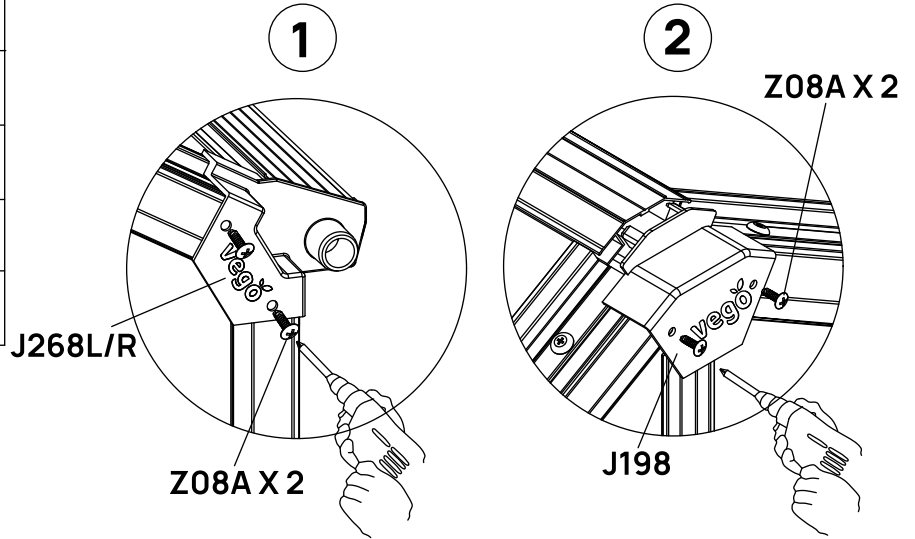


End Cap Installation

STEP 01

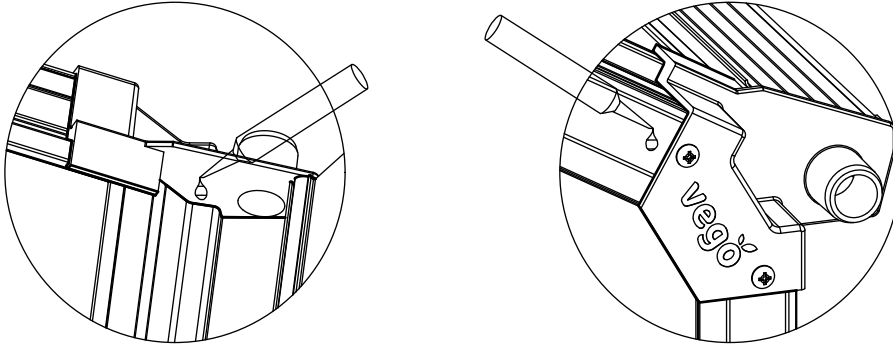
Attach ridge end cap and gutter end caps as shown.

BOX	PART	NO	QTY
ALBOX-3		J198	2
ALBOX-3		J268L	2
ALBOX-3		J268R	2
ALBOX-3		Z08A Ø4.2X16	12

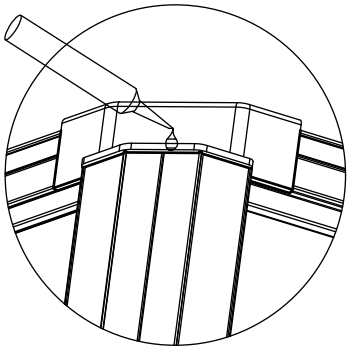


Apply silicone caulk (not provided) between the gaps of plastic caps and frames to ensure a watertight seal as shown.

1



2

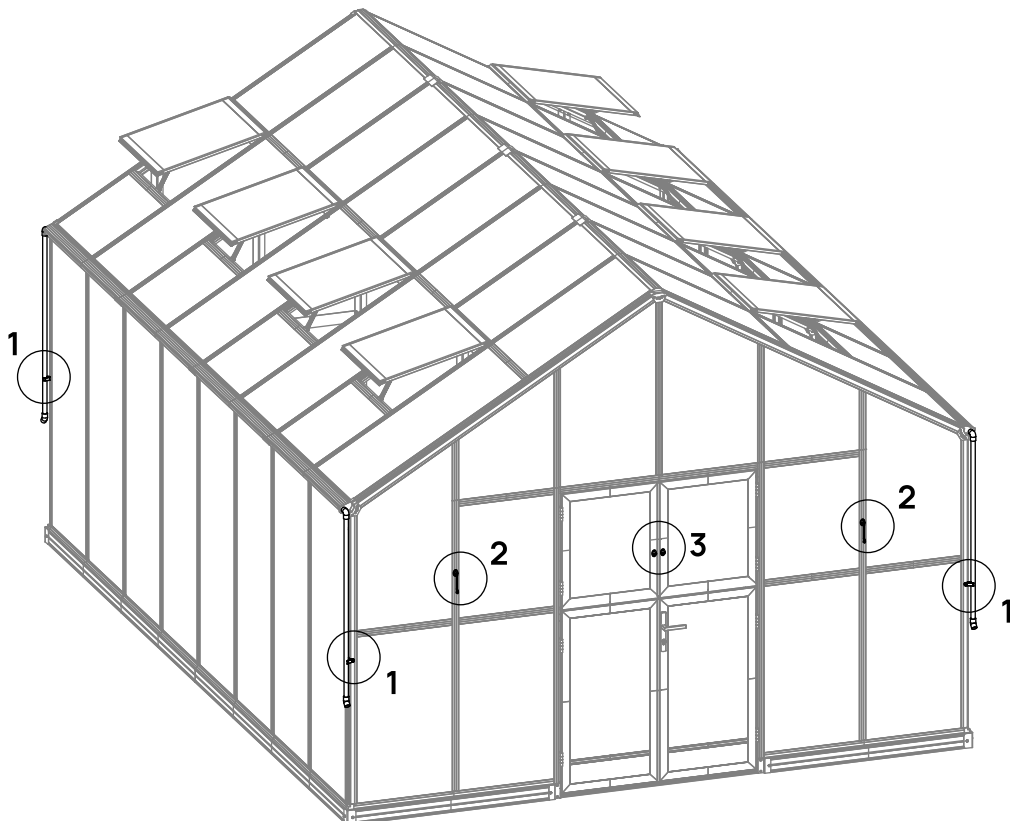
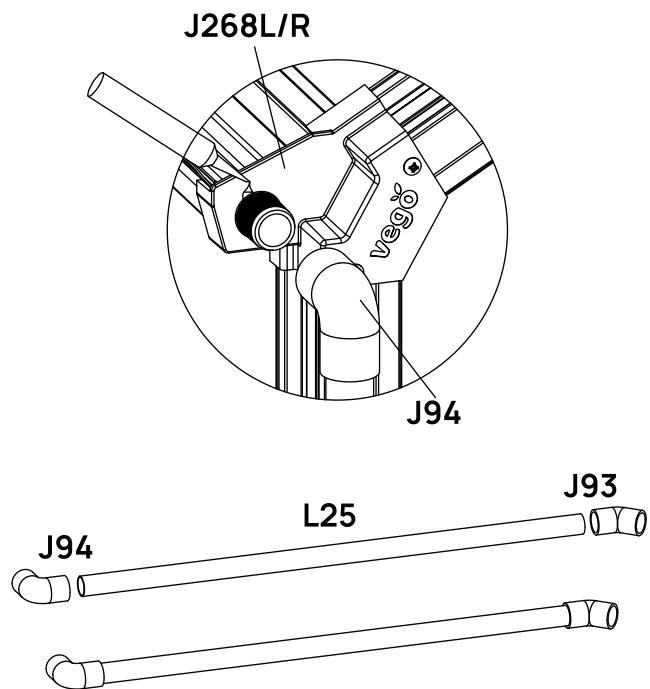


STEP
02

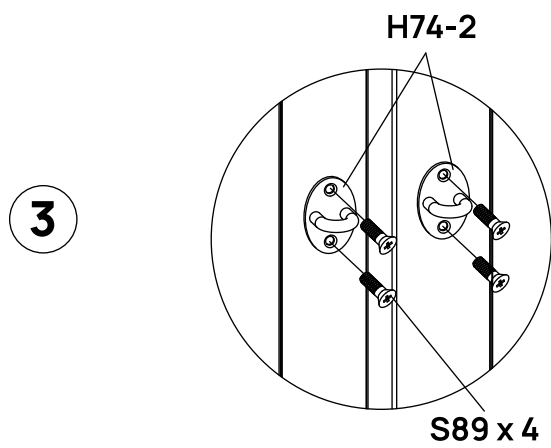
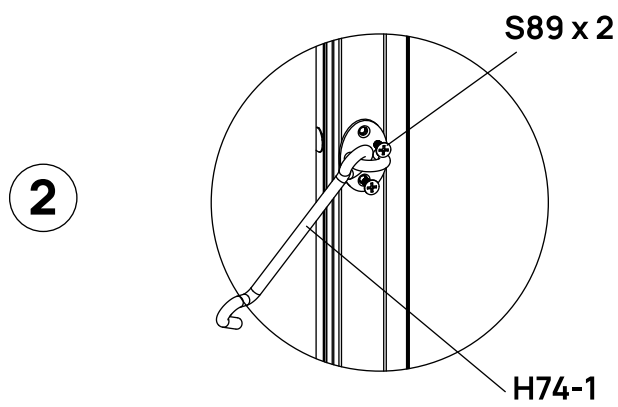
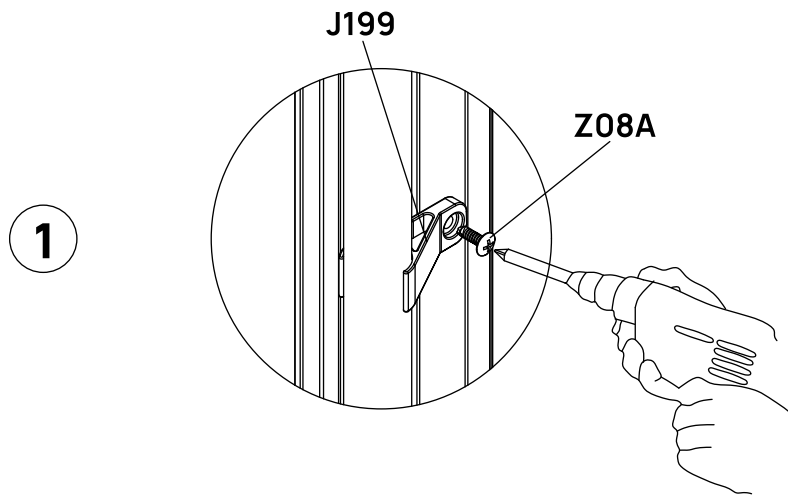
Assemble the drainage pipe components as shown in diagram, then attach them to the gutter end cap.

Using silicone caulk or waterproof tape to reinforce the connection between gutter end caps and pipe.

BOX	PART	NO	QTY
ALBOX-4		L25	4
ALBOX-3		J93	4
ALBOX-3		J94	4
ALBOX-3		J199	4
ALBOX-3		H74-1	2
ALBOX-3		H74-2	2
Pre-installed		S89 M3X12	8
ALBOX-3		Z08A Ø4.2X16	4

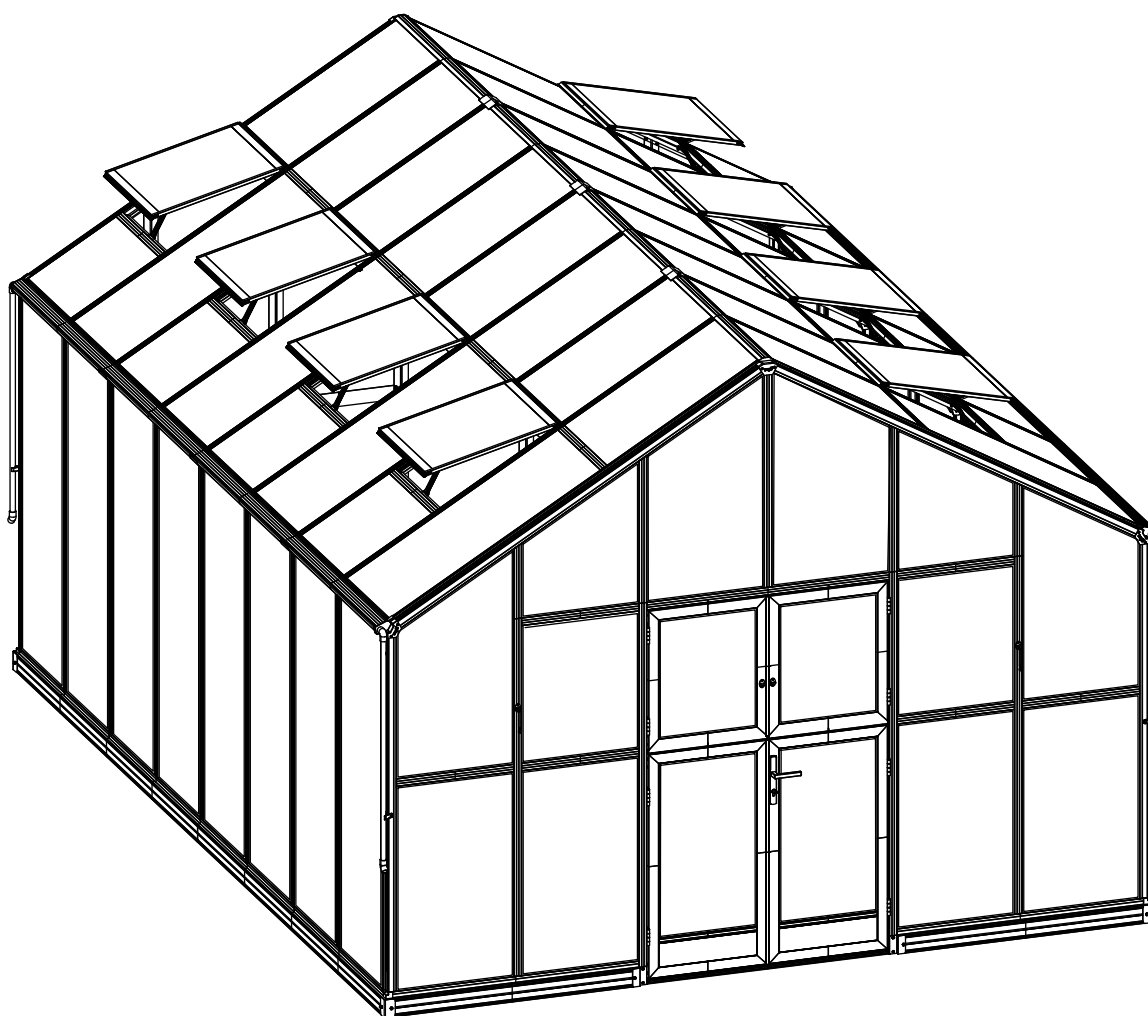


Attach pipe bracket and wind latch as shown in diagram.





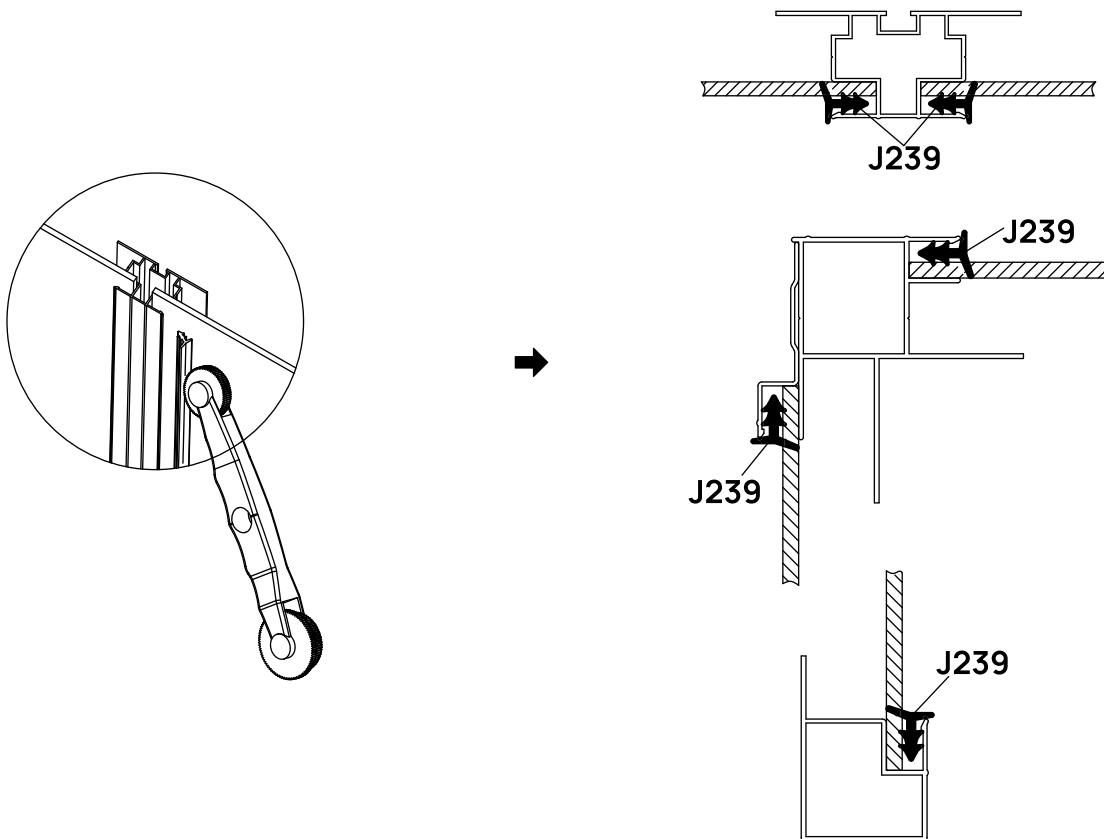
STEP
03

For PC wall panels, apply silicone caulk around all PC panels to ensure watertight sealing.

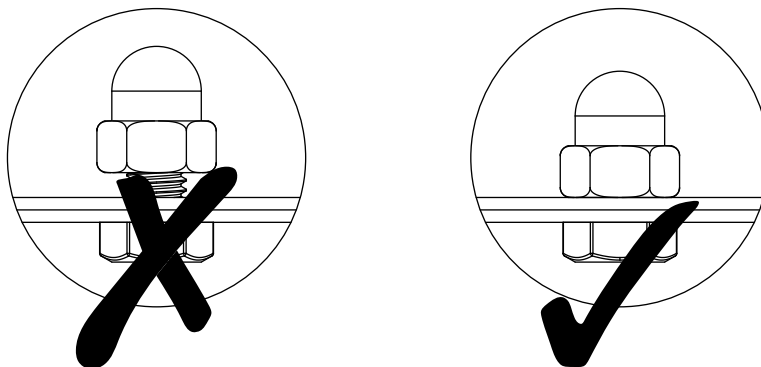


For glass wall panels, use the provided roller tool to press the J239 gasket firmly into the gap between the profile and the glass to ensure proper sealing.

BOX	PART	NO	QTY
GLBOX-1		J239	591ft
GLBOX-1		H246	1



Perform a final inspection of your greenhouse and ensure that all nuts are securely tightened.



VEGOGARDEN.COM



**Gardening
Made Easier.
Anytime,
Anywhere.**

Contact Us



+1 (866) 597-1888



Vego Garden Academy



hello@vegogarden.com



vegogarden.com



vego_garden



Houston, TX